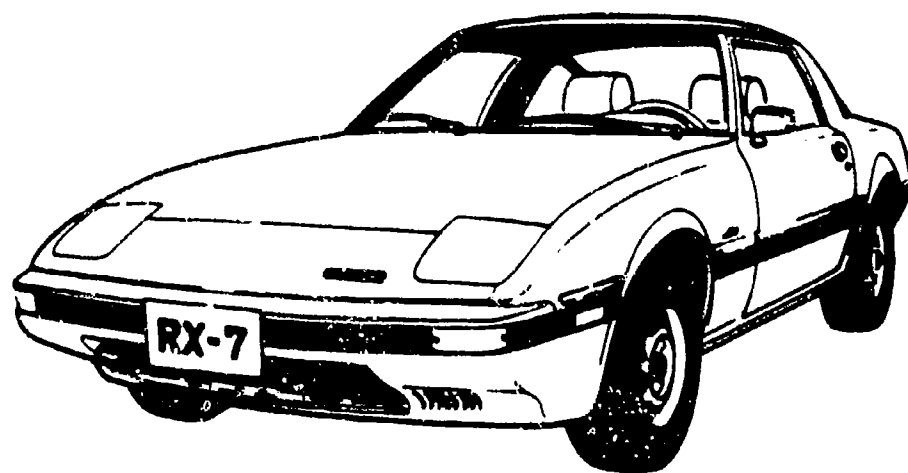


Parts Catalog

Mazda RX-7
U.S.A.
('84-'85)

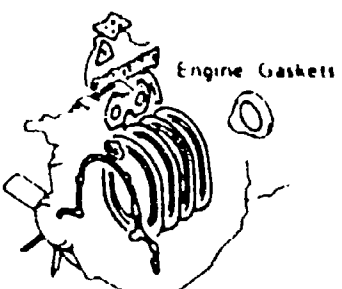
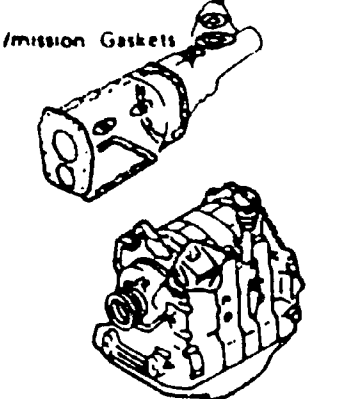
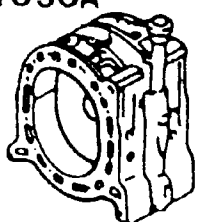
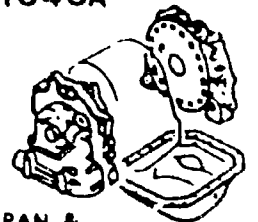
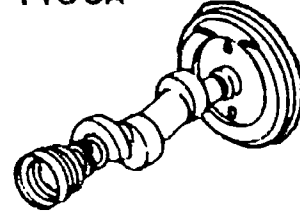
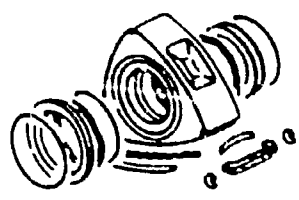

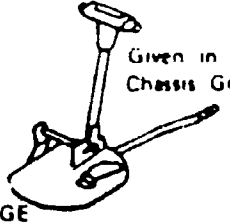
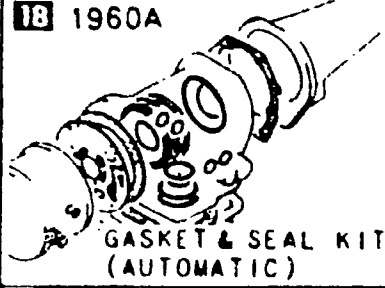
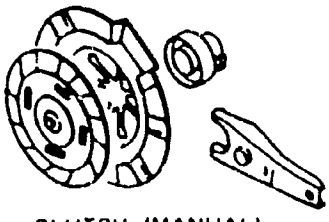
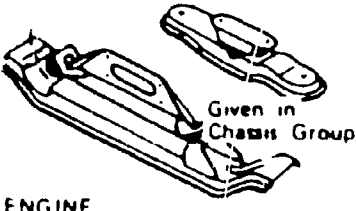
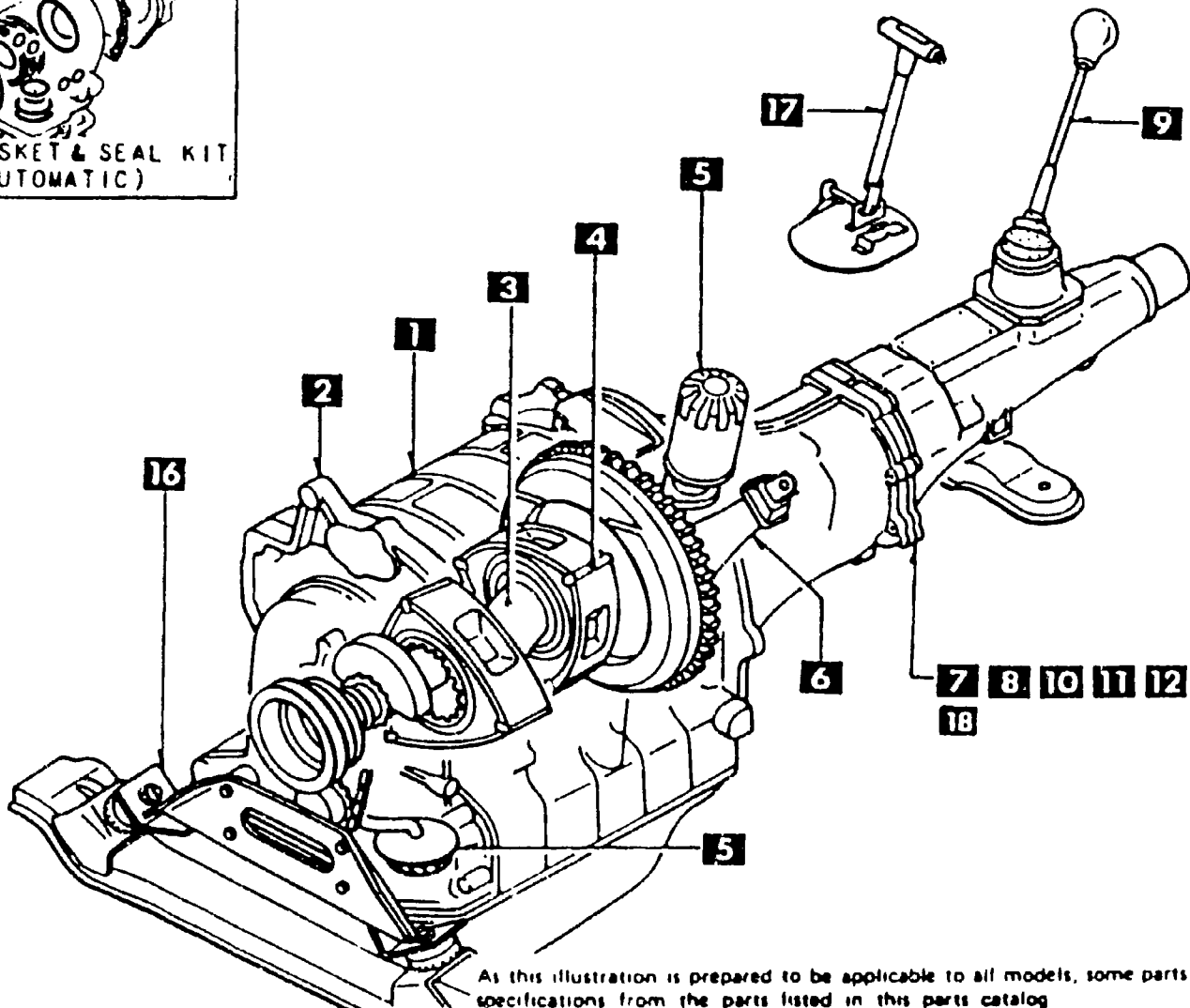
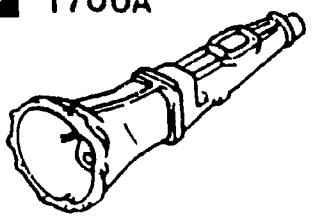
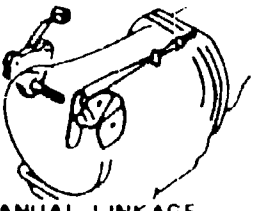
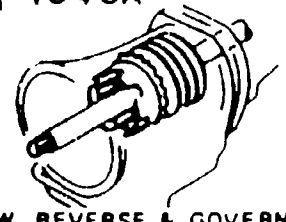
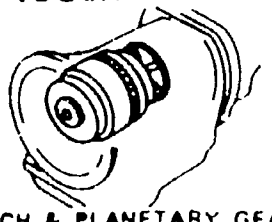
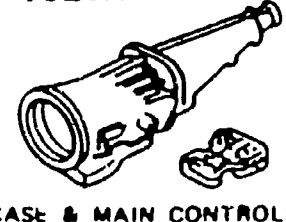
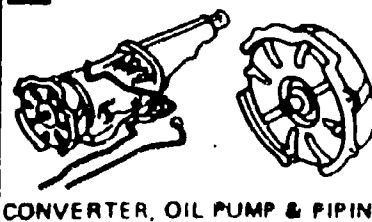
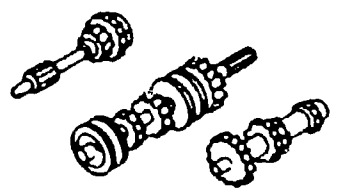
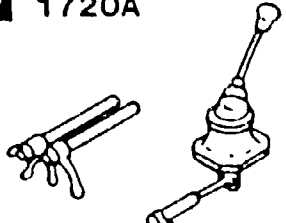
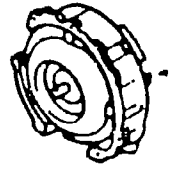


(FB33*-800001- 990000)

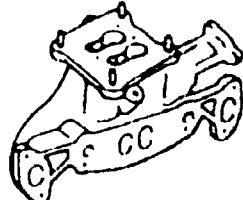
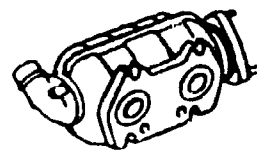
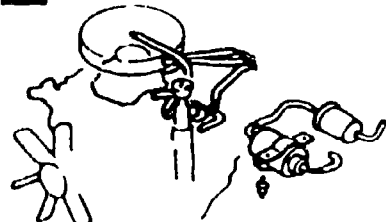
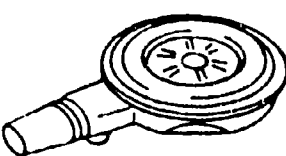
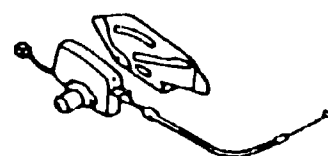

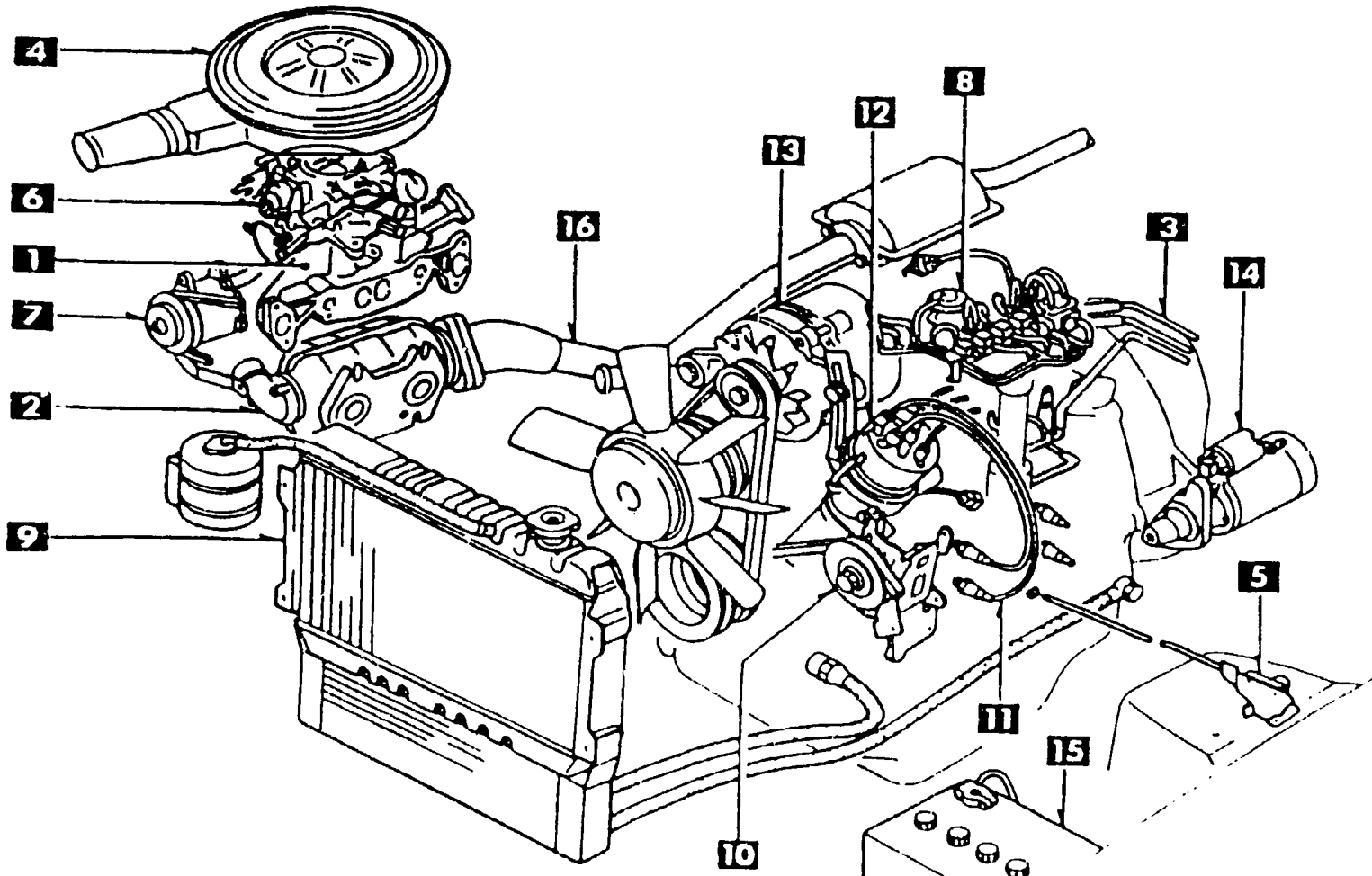

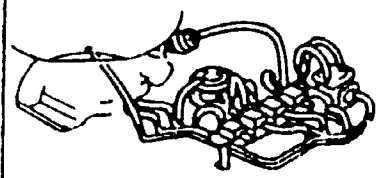
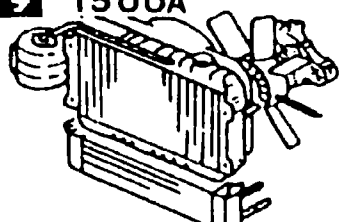
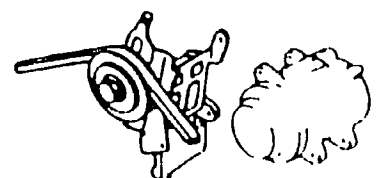
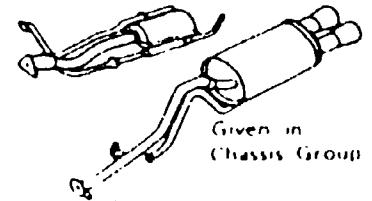
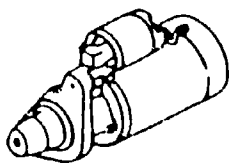
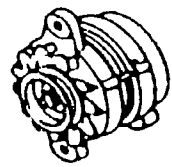
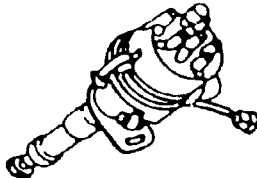
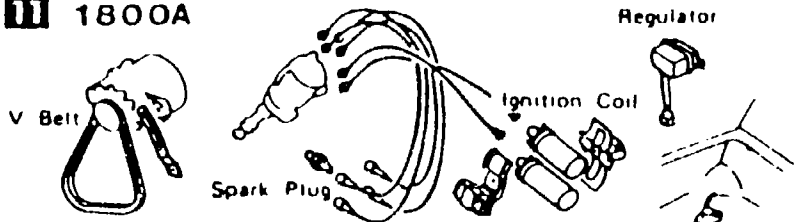
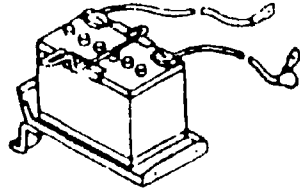
Aug. '91

mazda

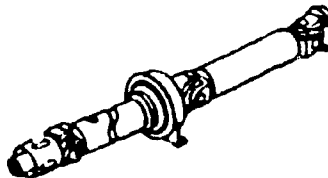
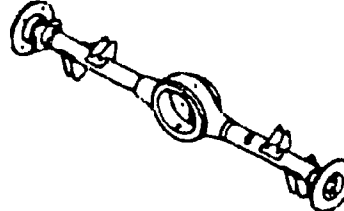
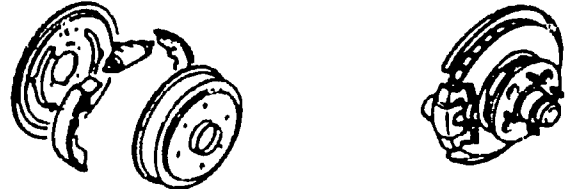
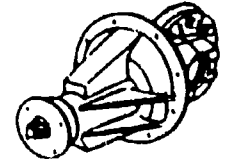
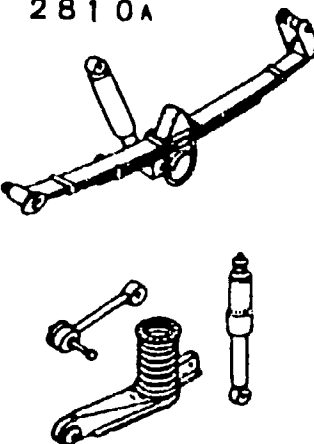
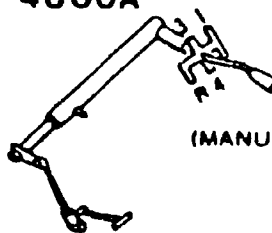
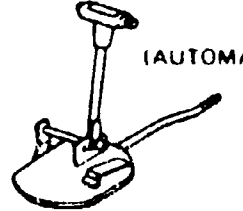
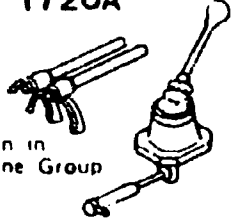
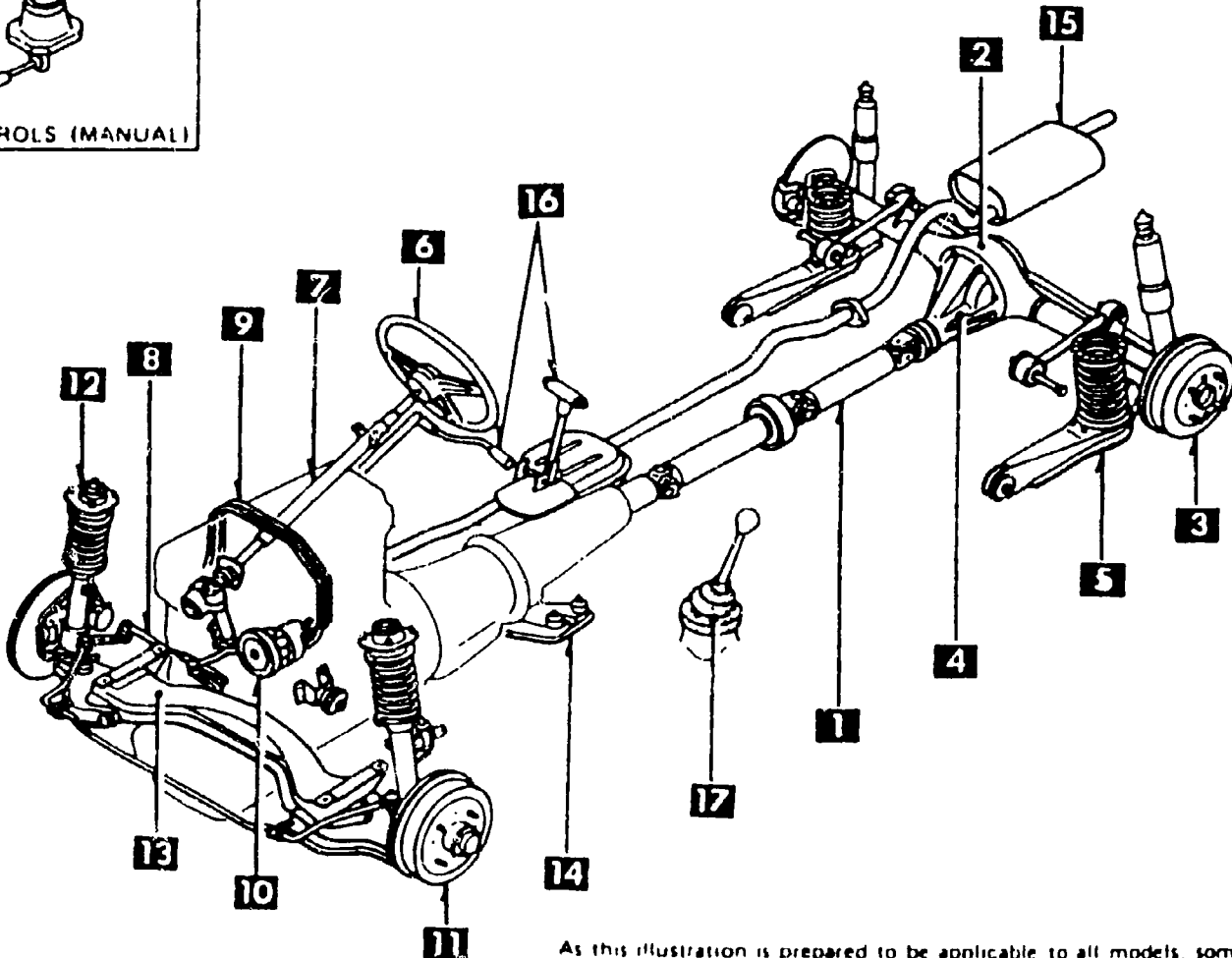

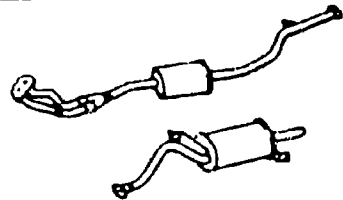
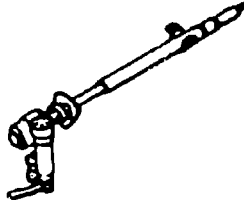
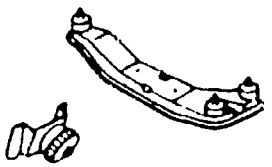
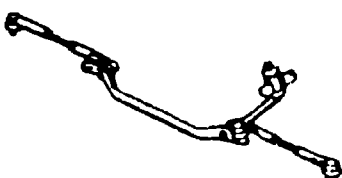
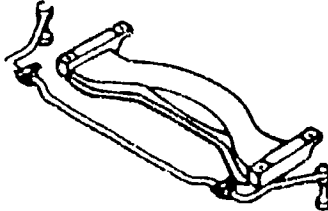
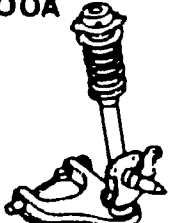

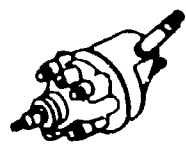
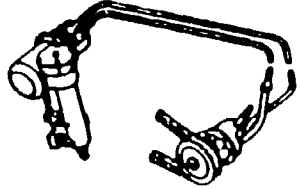
PICTORIAL INDEX

<p>1000A</p>  <p>Engine Gaskets</p>  <p>T/Mission Gaskets</p> <p>SHORT ENGINE & GASKET SETS</p>	<p>1 1030A</p>  <p>ROTOR HOUSING</p>	<p>2 1040A</p>  <p>OIL PAN & FRONT & REAR HOUSINGS</p>	<p>3 1100A</p>  <p>ECCENTRIC SHAFT & FLYWHEEL</p>	<p>4 1110A</p>  <p>ROTOR & RELATED</p>	<p>5 1400A</p>  <p>OIL PUMP & FILTER</p>
<p>17 4600A</p>  <p>Given in Chassis Group</p> <p>CHANGE CONTROLS (MANUAL)</p>	<p>18 1960A</p>  <p>GASKET & SEAL KIT (AUTOMATIC)</p>				<p>6 1600A</p>  <p>CLUTCH (MANUAL)</p>
<p>16 3900A</p>  <p>Given in Chassis Group</p> <p>ENGINE & T/MISSION MOUNTINGS</p>	<p style="font-size: 1.5em; font-weight: bold;">ROTARY ENGINE (1/2)</p>  <p style="font-size: 0.8em;">As this illustration is prepared to be applicable to all models, some parts are different in specifications from the parts listed in this parts catalog</p>				<p>7 1700A</p>  <p>T/MISSION CASE (MANUAL)</p>
<p>15 1950A</p>  <p>MANUAL LINKAGE (AUTOMATIC T/MISSION)</p>	<p>14 1940A</p>  <p>LOW, REVERSE & GOVERNOR (AUTOMATIC T/MISSION)</p>	<p>13 1930A</p>  <p>CLUTCH & PLANETARY GEARS (AUTOMATIC T/MISSION)</p>	<p>12 1920A</p>  <p>CASE & MAIN CONTROLS (AUTOMATIC T/MISSION)</p>	<p>11 1910A</p>  <p>CONVERTER, OIL PUMP & PIPING (AUTOMATIC T/MISSION)</p>	<p>8 1710A</p>  <p>T/MISSION GEARS (MANUAL)</p>
					<p>9 1720A</p>  <p>CHANGE CONTROLS (MANUAL)</p>
					<p>10 1900A</p>  <p>TORQUE GLIDE (MANUAL)</p>

PICTORIAL INDEX

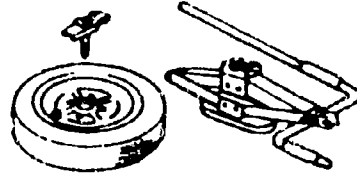
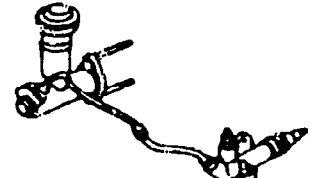
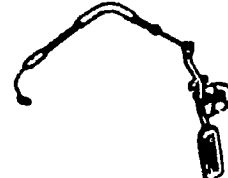
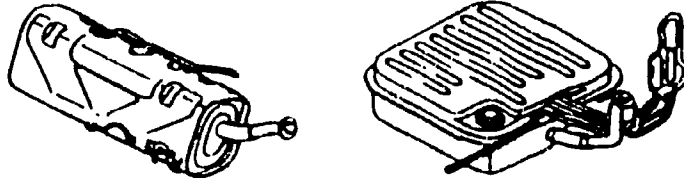
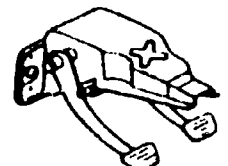
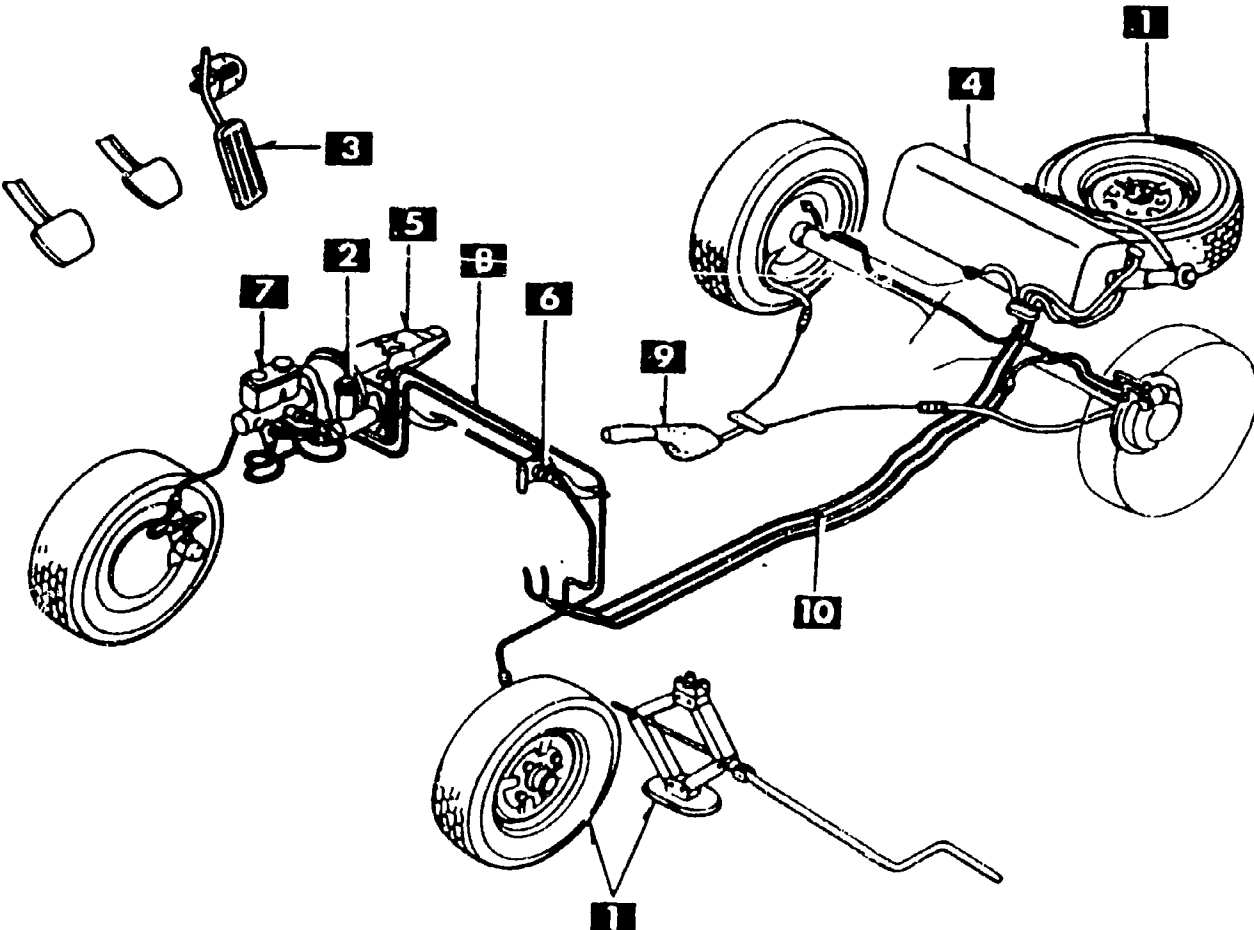
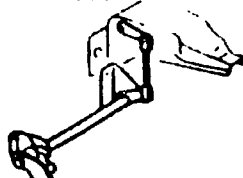
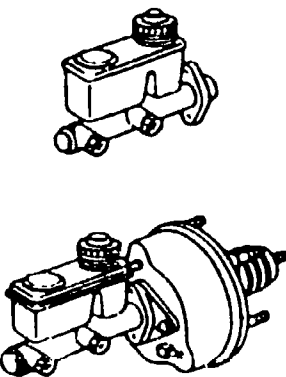

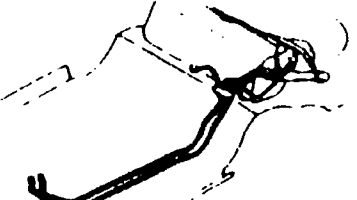
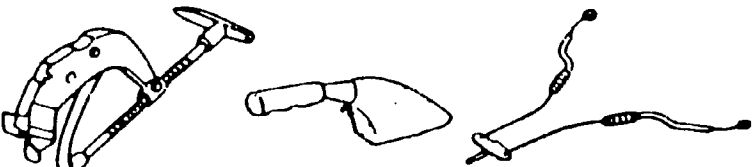
1 1300A  IN MANIFOLD	2 1310A  THERMAL REACTOR	3 1320A  FUEL SYSTEM	4 1330A  AIR CLEANER	5 1350A  STARTING ASSIST SYSTEM	6 1359A, 1360A  CARBURETOR
<h2 style="margin: 0;">ROTARY ENGINE (2/2)</h2> 					
As this illustration is prepared to be applicable to all models, some parts are different in specifications from the parts listed in this parts catalog.					
7 1371A  EMISSION CONTROLS (AIR PUMP & CONTROL VALVE)					
8 1380A  EMISSION CONTROLS (EX SIDE)					
9 1500A  COOLING SYSTEM					
10 1580A  COMPRESSOR BRACKET, PULLEY & BELT (AIR CONDITIONER)					
16 4000A  EX SYSTEM <small>Given in Chassis Group</small>	14 1840A  STARTER	13 1830A  ALTERNATOR	12 1820A  DISTRIBUTOR	11 1800A  ELECTRICAL SYSTEM (ENGINE)	
15 1850A  BATTERY & CABLES					

PICTORIAL INDEX

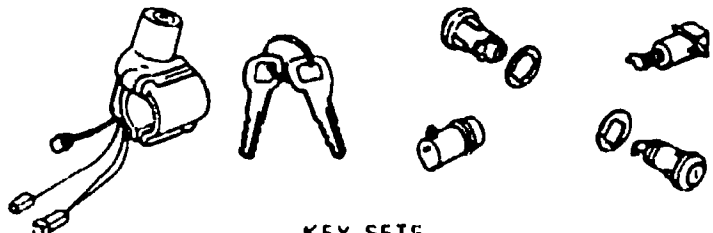
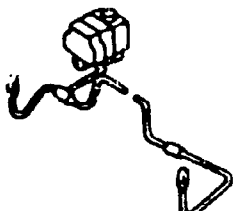
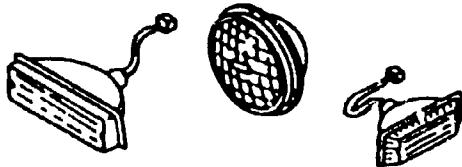

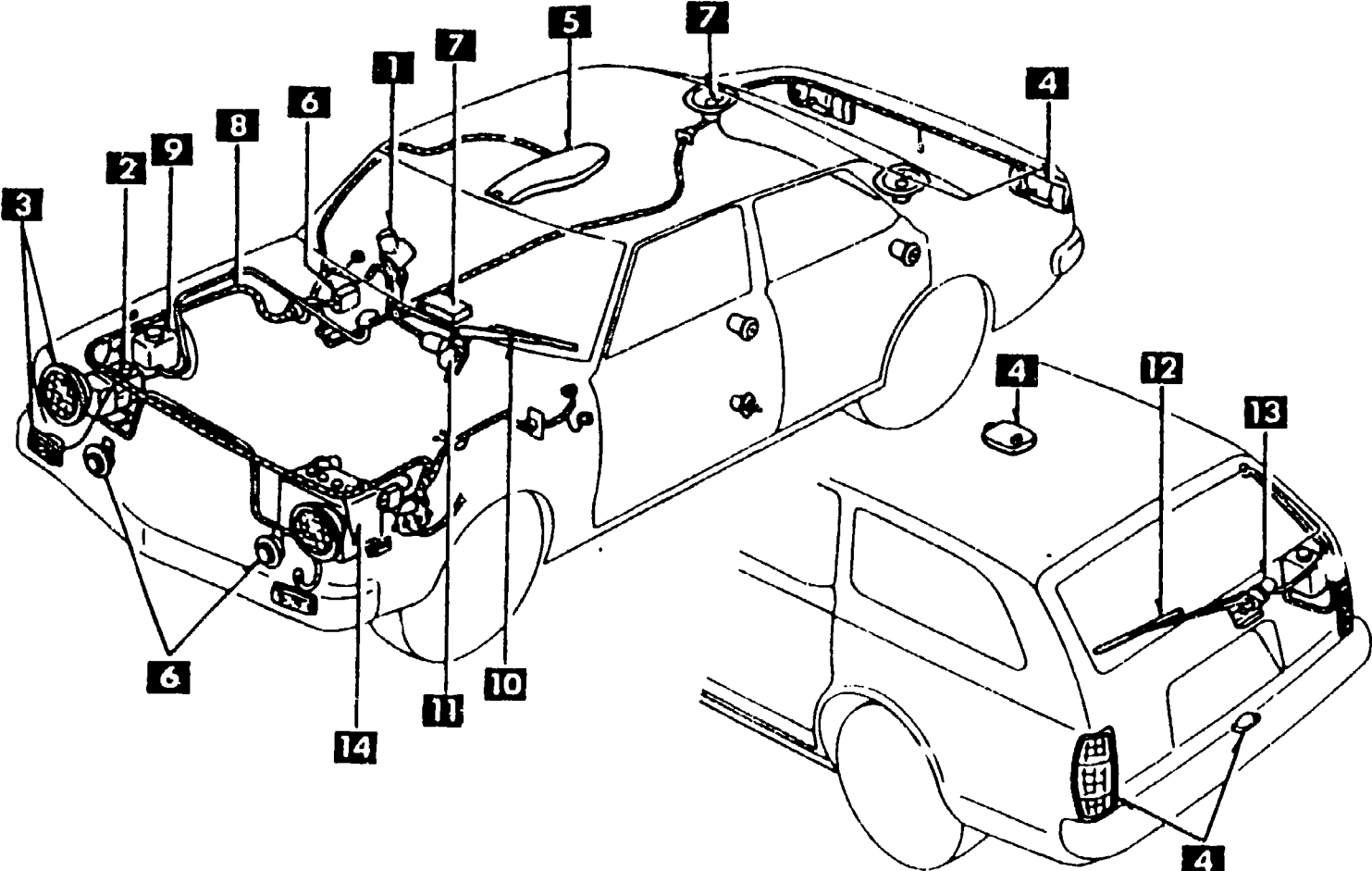
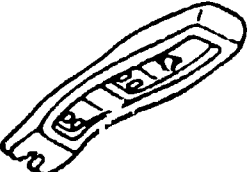

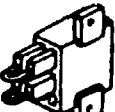




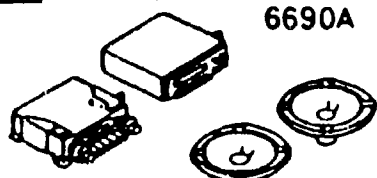
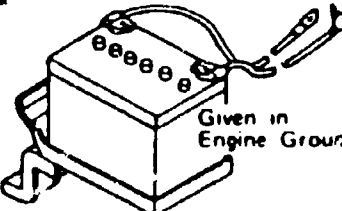
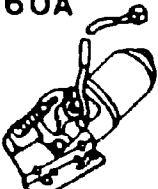
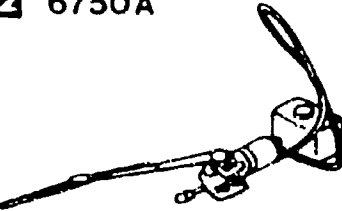

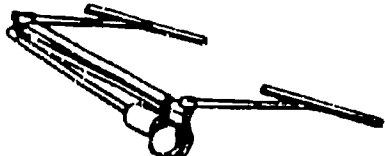
1 2500A  PROPELLER SHAFT	2 2600A  REAR AXLE	3 2610A  REAR BRAKES	4 2700A  DIFFERENTIAL	5 2800A 2810A  REAR STABILIZER REAR SUSPENSION	
16 4600A  (MANUAL)  (AUTOMATIC) CHANGE CONTROLS	17 1720A  Given in Engine Group CHANGE CONTROLS (MANUAL)	CHASSIS (1/2) 			6 3200A  STEERING WHEEL
15 4000A  EX SYSTEM	7 3210A  STEERING GEAR & COLUMN				
14 3900A  ENGINE & T/MISSION MOUNTINGS	8 3230A  STEERING LINKAGE				
13 3410A  CROSSMEMBER & STABILIZER	12 3400A  FRONT SUSPENSION	11 3300A  FRONT AXLE & BRAKES	10 3260A  VANE PUMP (POWER STEERING)	9 3240A  POWER STEERING SYSTEM	

As this illustration is prepared to be applicable to all models, some parts are different in specifications from the parts listed in this parts catalog

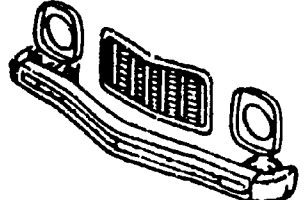
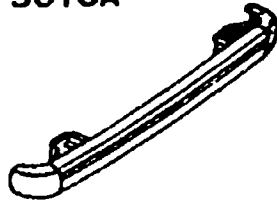
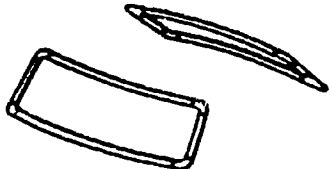
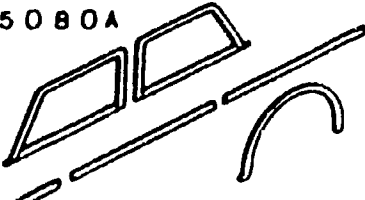
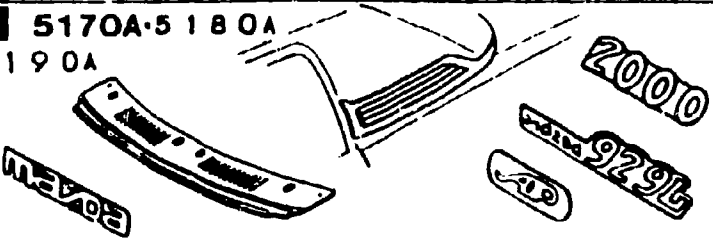
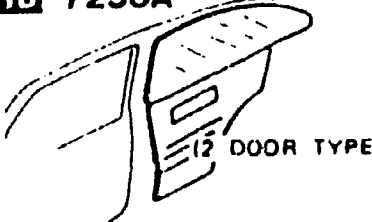
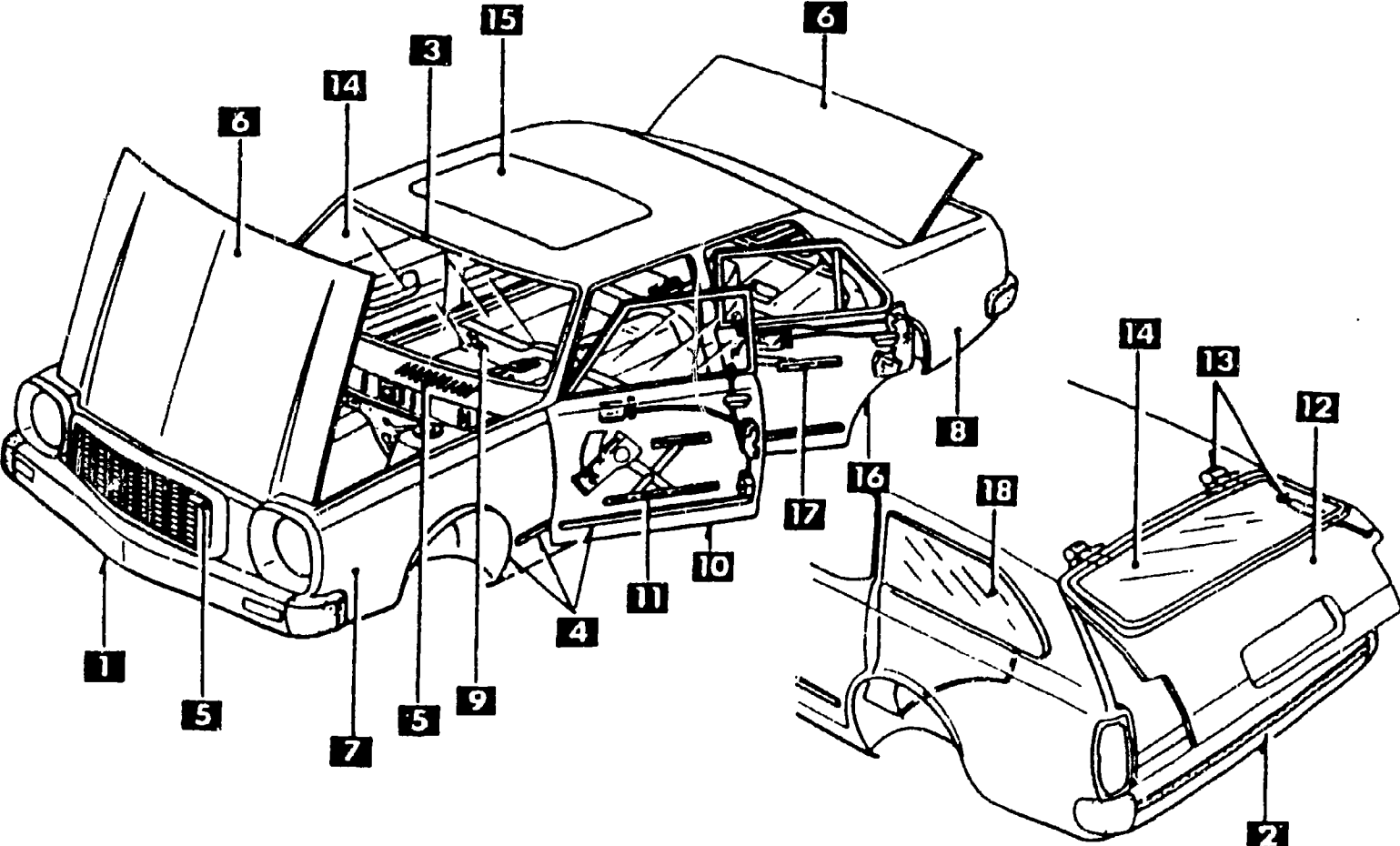
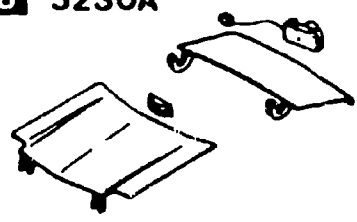
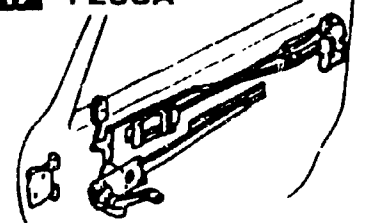
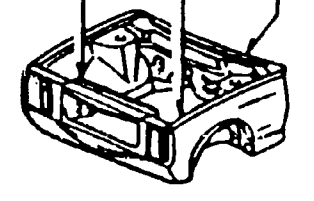
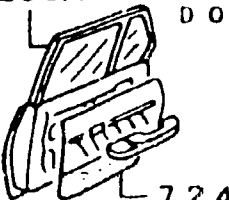
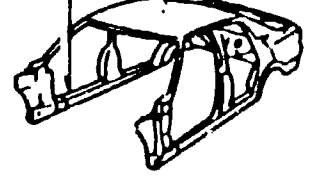
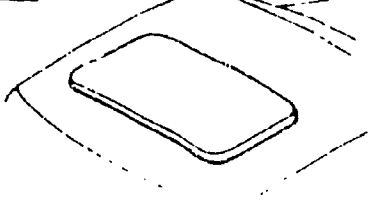
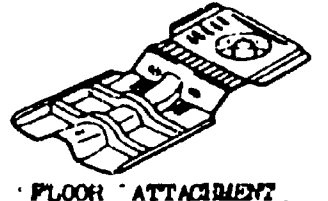
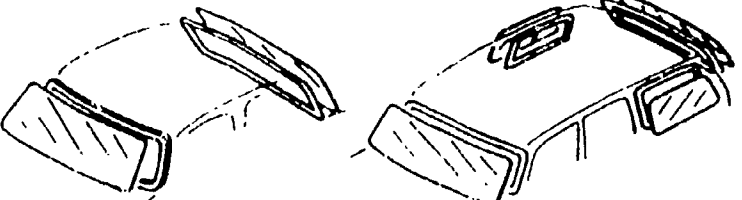
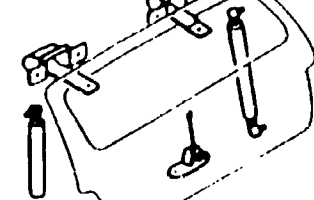
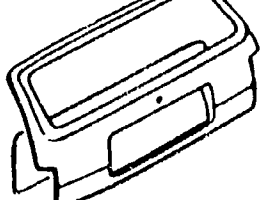
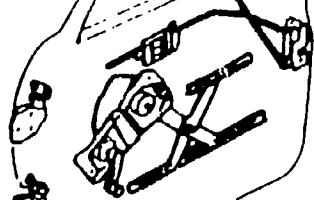
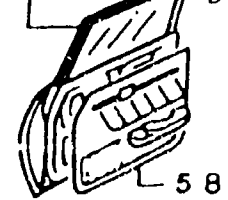
PICTORIAL INDEX

<p>1 3700A</p>  <p>TIRE & JACK</p>	<p>2 4140A</p>  <p>CLUTCH RELEASE & MASTER CYLINDERS</p>	<p>3 4160A</p>  <p>ACCELERATOR CONTROLS</p>	<p>4 4200A</p>  <p>FUEL TANK</p>	<p>5 4300A</p>  <p>CLUTCH & BRAKE</p>			
<p>CHASSIS (2/2)</p>  <p>As this illustration is prepared to be applicable to all models, some parts are different in specifications from the parts listed in this parts catalog.</p>					<p>6 4310A</p>  <p>ASSIST BRAKE (FOR DRIVING SCHOOL)</p>	<p>7 4340A</p>  <p>TANDEM MASTER CYL & VACUUM POWER ASSIST SYSTEM</p>	<p>8 4360A</p>  <p>BRAKE PIPING</p>
			<p>10 4500A</p>  <p>FUEL & EVAPORATION PIPINGS</p>	<p>9 4400A</p>  <p>PARKING BRAKE SYSTEM</p>			

PICTORIAL INDEX

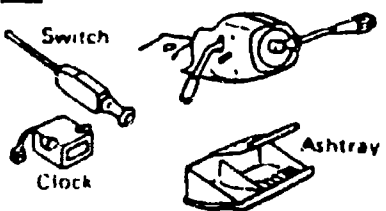
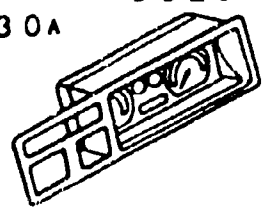
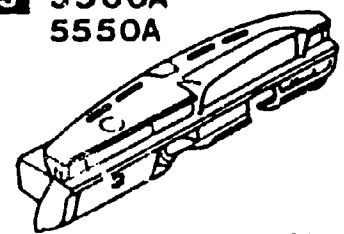
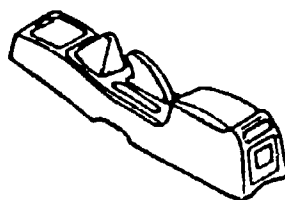
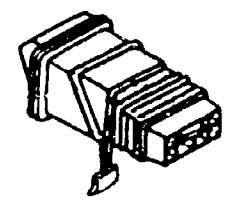
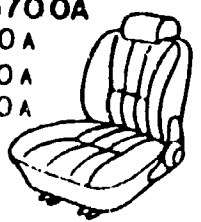
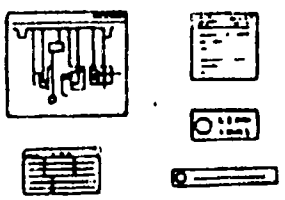
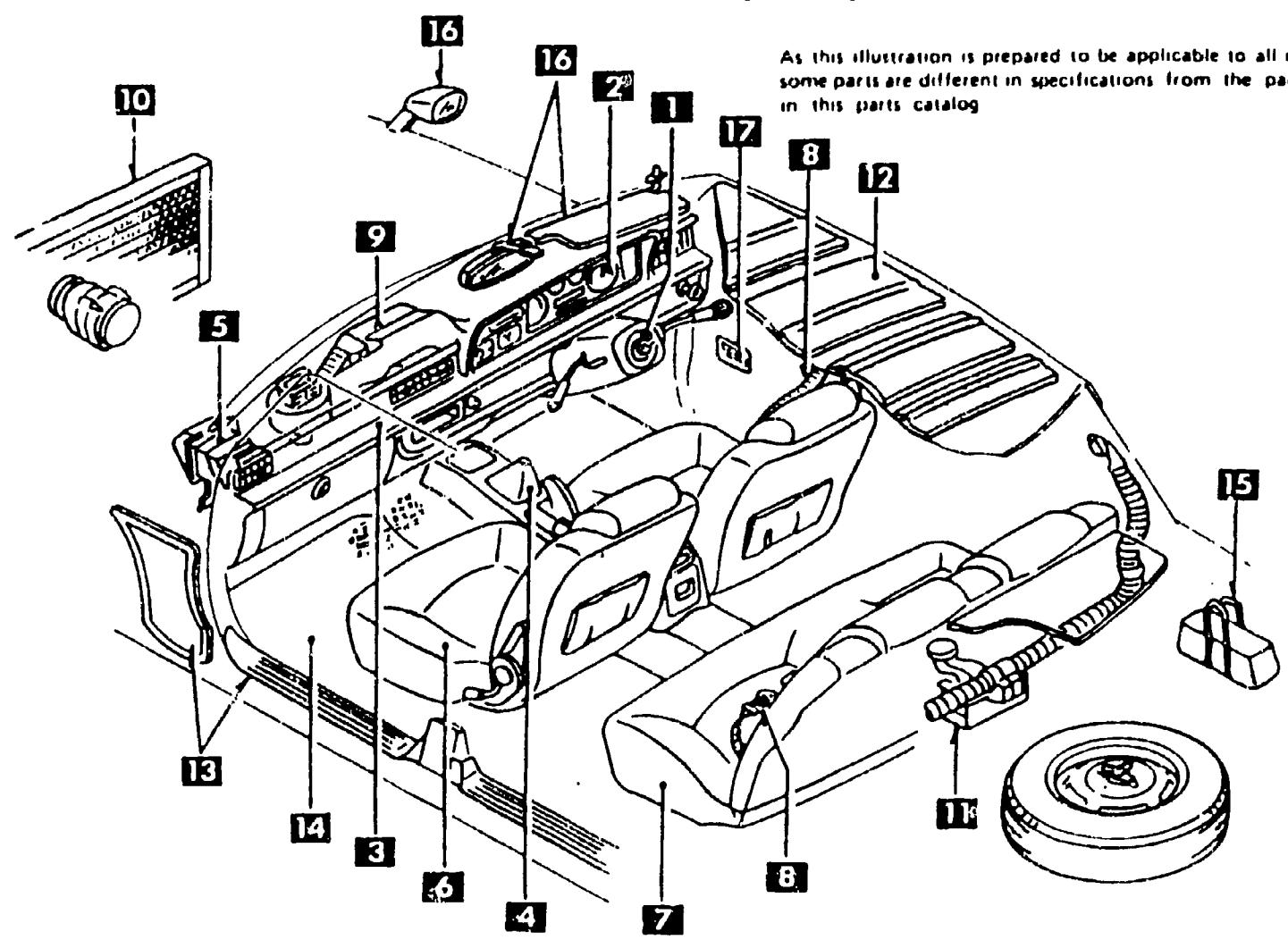
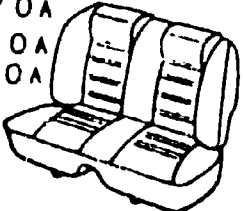

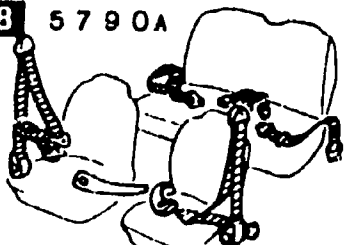
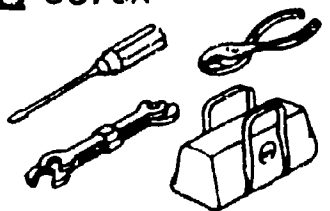
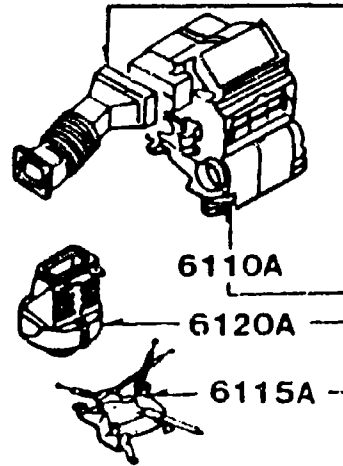
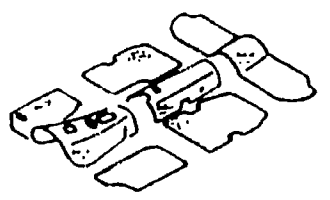
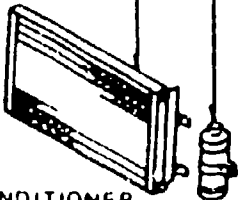
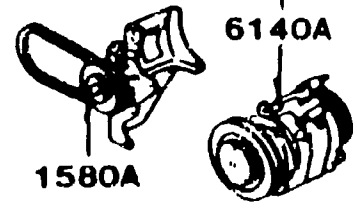
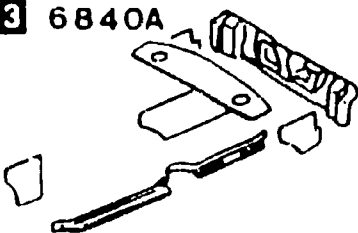
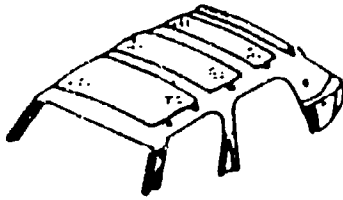
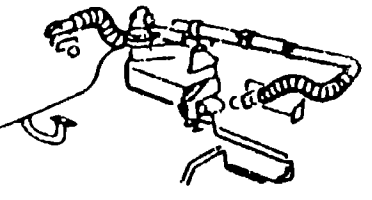
<p>1 0900A</p>  <p>KEY SETS</p>	<p>2 5020A</p>  <p>HEAD LAMP CLEANER</p>	<p>3 5100A • 5105A • 5103A</p>  <p>HEADLAMP RETRACTOR LAMPS (FRONT & SIDE)</p>	<p>4 5110A • 5120A 5125A</p>  <p>Interior Lamp Licence Lamp</p> <p>LAMPS (REAR & INTERIOR)</p>	
<p>BODY(1/3)</p> 				<p>5 5130A</p>  <p>OVERHEAD CONSOLE</p> <p>6 6600A-6610A 6611A-6612A 6613A-6615A 6620A 6630A 6635A 6640A</p>  <p>Horn</p>  <p>Fusible Link</p>  <p>Fuse Box</p>  <p>Door Switch</p>  <p>Stop Switch</p>  <p>Relay</p> <p>ELECTRIC EQUIPMENT (BODY)</p> <p>7 6680A, 6682A, 6684A 6690A</p>  <p>RADIO & STEREO SYSTEMS</p>
<p>14 1850A</p>  <p>Given in Engine Group</p> <p>BATTERY & CABLES</p>	<p>As this illustration is prepared to be applicable to all models some parts are different in specifications from the parts listed in this parts catalog</p>		<p>13 6760A</p>  <p>REAR WINDOW WIPER MOTOR (COMPONENTS ONLY)</p>	
<p>12 6750A</p>  <p>REAR WINDOW WIPER & WASHER</p>			<p>11 6740A</p>  <p>WIPER MOTOR (COMPONENTS ONLY)</p>	<p>10 6730A</p>  <p>WINDSHIELD WIPER</p>

PICTORIAL INDEX

1 5000A · 5005A  FRONT BUMPER & GRILLE	2 5010A  REAR BUMPER	3 5030A  WINDOW MOULDINGS	4 5040A · 5060A 5080A  BODY MOULDINGS	5 5170A · 5180A 5190A  COWL & EXTRACTOR GRILLES & ORNAMENTS
18 7250A  REAR WINDOW GLASS & TRIM (2 DOOR TYPE)	BODY(2/3) 			6 5230A  BONNET & TRUNK LID
17 7230A  REAR DOOR MECHANISMS	7 5310A, 5320A, 5330A  BODY PANELS (FRONT)			
16 7200A REAR DOOR  TRIM & ARMREST 7240A	8 5340A, 5360A  BODY PANELS (SIDE & ROOF)			
15 6330A  SUNROOF	9 5370A, 5390A  FLOOR ATTACHMENT BODY PANELS (FLOOR)			
14 6300A  WINDOW GLASSES	13 6230A  BACK DOOR MECHANISMS	12 6200A  BACK DOOR	11 5830A  FRONT DOOR MECHANISMS	10 5800A FRONT DOOR  TRIM & ARMREST 5840A

As this illustration is prepared to be applicable to all models, some parts are different in specifications from the parts listed in this parts catalog

PICTORIAL INDEX

<p>1 5500A</p>  <p>Switch Clock Ashtray</p> <p>DASHBOARD EQUIPMENT</p>	<p>2 5540A · 5520A 5530A</p>  <p>METERS</p>	<p>3 5560A 5550A</p>  <p>DASHBOARD & RELATED</p>	<p>4 5570A</p>  <p>CONSOLL</p>	<p>5 5580A</p>  <p>VENTILATOR</p>	<p>6 5700A 5710A 5720A 5730A</p>  <p>FRONT SEAT</p>	
<p>17 6930A</p>  <p>CAUTION PLATES</p>	<p>BODY(3/3)</p> <p>As this illustration is prepared to be applicable to all models, some parts are different in specifications from the parts listed in this parts catalog</p> 				<p>7 5750A · 5760A 5770A 5780A 5720A</p>  <p>REAR SEAT</p>	
<p>16 6900A</p>  <p>VISOR, ASSIST HANDLE & MIRRORS</p>					<p>8 5790A</p>  <p>SEAT BELTS</p>	
<p>15 6870A</p>  <p>SERVICE TOOLS</p>					<p>9 6100A</p>  <p>6110A 6120A 6115A</p> <p>HEATER</p>	
<p>14 6860A</p>  <p>FLOOR MATS & PADS</p>					<p>10 6130A</p>  <p>AIR CONDITIONER</p>	<p>(ENGINE GROUP)</p> <p>6140A 6150A</p>  <p>1580A</p>
<p>13 6840A</p>  <p>TRIM & SCUFF PLATE</p>					<p>12 6800A, 6820A</p>  <p>CEILING TRIM</p>	<p>11 6180A</p>  <p>REAR COOLER</p>

MODEL IDENTIFICATION

1984 MODEL MANUFACTURED FROM SEPT. 1983 (FB33* 800001-)

1985 MODEL MANUFACTURED FROM JULY 1984 (FB33* 850001-)

MODEL NO.	STEER		ENGINE		T/ N		BRAKE		ROOF		YEAR		VIN
	C	F	R	R	M	A	F	4	S	M	1	1	
	A	E	O	O	H	A	F	W	S	N	9	9	
	L	D	T	T	A	U	R	H	U	R	8	8	
	I	R	A	A	V	T	O	N	H	R	6	5	
	F	R	R	R	A	M	T	E	R	O			
	O	R	Y	Y	L	A	T	L	O	O			
	R	N			S	I	D	D	F	R			
	N	I			S	P	I	I		O			
	I	A			E	C	S	C		O			
			12A	13B									
FA60	X		X		X		X			X	X	X	FB33* 800001-990000
FA61	X		X			X	X			X	X	X	FB33* 800001-990000
FA62	X		X		X		X		X		X	X	FB33* 800001-990000
FA63	X		X			X	X		X		X	X	FB33* 800001-990000
FA64	X		X		X			X	X		X	X	FB33* 800001-990000
FA65	X		X			X		X	X		X	X	FB33* 800001-990000
FA67	X			X	X			X	X		X	X	FB33* 800001-990000
FA78	X			X	X			X		X	X	X	FB33* 800001-990000
FA54		X	X		X		X			X	X	X	FB33* 800001-990000
FA55		X	X			X	X			X	X	X	FB33* 800001-990000
FA56		X	X		X		X		X		X	X	FB33* 800001-990000
FA57		X	X			X	X		X		X	X	FB33* 800001-990000
FA58		X	X		X			X	X		X	X	FB33* 800001-990000
FA59		X	X			X		X	X		X	X	FB33* 800001-990000
FA66		X		X	X			X	X		X	X	FB33* 800001-990000
FA77		X		X	X			X		X	X	X	FB33* 800001-990000
FA94		X			X			X		X	X	X	FB33* 850001-990000
FA95		X	X			X		X		X	X	X	FB33* 850001-990000

LIST OF MONTHLY STARTING VIN

1983

MODEL	TR./MO.	JAN. 83/1	FEB. 83/2	MAR. 83/3	APR. 83/4	MAY 83/5	JUN. 83/6	JUL. 83/7	AUG. 83/8	SEP. 83/9	OCT. 83/10	NOV. 83/11	DEC. 83/12
FB33*										800001	800002	800531	811185

1984

MODEL	TR./MO.	JAN. 84/1	FEB. 84/2	MAR. 84/3	APR. 84/4	MAY 84/5	JUN. 84/6	JUL. 84/7	AUG. 84/8	SEP. 84/9	OCT. 84/10	NOV. 84/11	DEC. 84/12
FB33*		815218	819685	824487	829422	834333	839137 (850001)	850015	854389	861829	866965	871511	876904

1985

MODEL	TR./MO.	JAN. 85/1	FEB. 85/2	MAR. 85/3	APR. 85/4	MAY 85/5	JUN. 85/6	JUL. 85/7	AUG. 85/8	SEP. 85/9	OCT. 85/10	NOV. 85/11	DEC. 85/12
FB33*		881177	885829	889474	893766	899625	905188	909988	912688

INSTRUCTIONS

HOW TO LOCATE PARTS IN THE CATALOG

Realistically, there can only be four possible scenarios when looking for a part(s). These are:

1. Either image of the part or the location on vehicle are known.
2. D-Code and/or Group number (of part) are known.
3. Part Number is known.
4. Name of part is known.

If one or more of the items listed above are known, the parts catalog user may use the appropriate index to facilitate part(s) location. The four indexes that may be used are:

PICTORIAL INDEX -

Use if either the image of the part and/or location on vehicle are known.

SECTION NUMBER INDEX -

Use if D-Code, Group Number or type of part is known.

PART NUMBER INDEX -

Use if part number is known.

ALPHABETICAL INDEX -

Use if name of part is known.

The following two pages outline how to use these indexes.

USING THE PICTORIAL INDEX

1. The PICTORIAL INDEX is the 1st column of every fiche.
2. Decide whether the desired part is an engine, chassis or body part.
3. Look through the PICTORIAL INDEX for the part. Take note of all possible fiche locations where the part may be found. This information will be useful in thoroughly tracking down the part.
4. Once the appropriate illustration is found, note the section number. Refer to the SECTION NUMBER INDEX for fiche location.

USING THE SECTION NUMBER INDEX

1. The SECTION NUMBER INDEX is the first row of every fiche.
2. The column labeled STARTING LOCATION denotes the microfiche GRID LOCATION for a particular section.

EXAMPLE:

1 - G6

1 = denotes the fiche number, i.e., 1 of 3, 2 of 3, 3 of 3

G = denotes the horizontal row location

6 = denotes the vertical column location

3. As an additional feature, the sections located in every column are enclosed in a "highlight box" in the SECTION NUMBER INDEX.
4. At this point, it is just a simple matter of going to the correct frame and locating the desired part number.

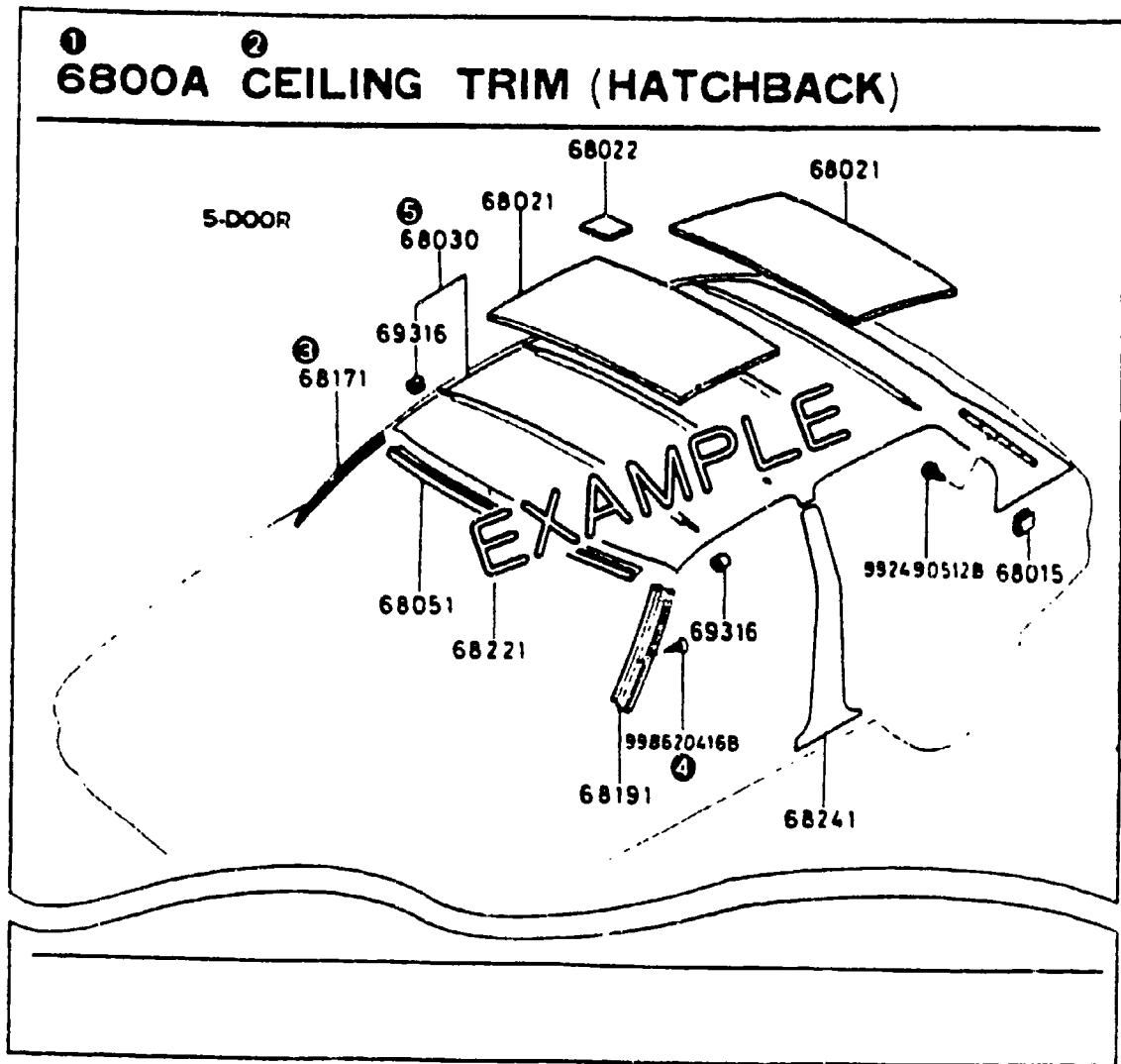
USING THE PART NUMBER INDEX

1. If the part number is known, simply use the PART NUMBER INDEX.
2. The PART NUMBER INDEX is located at the very end of the catalog, on the last fiche of a fiche set.
3. The index shows the section number and the grid location where the part number may be found.
4. When the PART NUMBER INDEX is used, remember that the part number is NOT read from "left to right". The base part number is read first. The base part number consists of the center two digits plus the next three (or four) digits to the right.
5. Use the grid location to go to the appropriate frame where the part number may be found. Cross-reference the part number with the illustration and text to ensure that it is indeed the desired part.

USING THE ALPHABETICAL INDEX

1. If the name of the part is known, simply use the ALPHABETICAL INDEX.
2. The ALPHABETICAL INDEX is located right before the PART NUMBER INDEX, at the very end of the catalog, on the last fiche of a fiche set.
3. The ALPHABETICAL INDEX contains the section number and the grid location where the desired part may be found.
4. Use the grid location to go to the appropriate frame where the part number may be found. Cross-reference the part number with the illustration and text to ensure that it is indeed the desired part.

HOW TO INTERPRET THE ILLUSTRATION



In the example shown above, the interpretation of each item appearing in the illustration area is as follows.

1 SECTION NUMBER

Each illustration is given a Section Number, which is a "IDENTIFICATION NUMBER" of the group of parts classified in function.

Section Number basically consists of four numeric characters and alpha "A". But when a Section (a group of parts) is shown in more than one illustration over the same catalog, an additional alphabetical character is incorporated, e.g.,

Section No	Section Name
6800A	Ceiling Trim (Hatchback)
6800AA	Ceiling Trim (Wagon)

(Note)
 Illustrations are always arranged in numerical sequence by SECTION NUMBER throughout the fiches in the set. (Exception: Section No. "0900A key Sets" is located in the first section of Body group.)

2 SECTION NAME

This is a descriptive name of the illustration (the group of parts).

3 D-CODE (KEY NUMBER)

D-Code consists of five or six digits, and serves as a "KEY NUMBER" to co-ordinate a part's illustration with its related text.

(Note)

Those parts which appear in the illustration without D-Code are not available as spare parts. (Exception: Most Standard Parts do not have D-Code, but are available as spare parts.)

4 STANDARD PART NUMBER

Those parts which are standardized in form, dimension, material, etc. such as bolts, nuts, washers, etc. are called "Standard Parts". In most cases, Standard Part Numbers are shown on the illustration instead of via the D-Code, and are distinguished from D-Code by the number which consists of nine or ten digits starting with "9", e.g., 99862-0416B. Those Parts do not appear in the text and part number index.

5 ASSEMBLY AND COMPONENTS' RELATIONSHIP

The relationship between an Assembly and its Components is indicated in the illustration but not in the text.

If the D-Code appeared as the example, the correct interpretation of that would be: D-Code 68030 includes D-Code 69316 and Top Ceiling (no D-Code indicated).

HOW TO INTERPRET THE TEXT

IMPORTANT

As there are many abbreviated words used in the text, refer to "Abbreviation List" located in the lower corner of each fiche (frame No. N1).

6800A-1 CEILING TRIM (HATCHBACK)

D-CODE (Key No.)	PART NAME	PART No.	Qty.	MODEL/DESCRIPTION	VIN (Chassis No.)
68030	CEILING, TOP	8531-68-030	1	(USE W/DEFROSTER) 3-DOOR	
	BLACK	00			
	BEIGE	31			
	BLACK	00		(USE W/O DEFROSTER) 5-DOOR	
	BEIGE	31			
68051	PLATE, T/CEILING	8531-68-051	1		FA4PS 50001 -522626 FA4TS 50001 -688439
	<AN>	*8531-68-051A	1		FA4PS 522627- FA4TS 688440-

In the example shown above, the interpretation of the information appearing in each column is as follows.

① D-CODE (KEY NUMBER)

This is to serve as a "KEY NUMBER" to co-ordinate with a part on the illustration. Those parts which are identical in function and descriptive name, are given a common code over the Mazda Spare Parts. Within each Section Number, the D-Code appears in numerical sequence.

② PART NAME

Part Names are shown in English and/or French and/or Spanish and/or German, depending upon Catalogs and are given to each "D-CODE".

③ COLOR NAME

Color Names appear here when Color Codes are indicated in the "PART No." column. These are shown in English only.

④ PART NUMBER

Under the same D-Code, if there are more than one Part Number, Part Numbers are always listed in numerical and/or alphabetical sequence regardless of the order of modification history of parts.

⑤ COLOR CODE

When Color Code(s) appear(s), the indicated Part Number requires the Color Code to properly identify the color of the part, e.g., 8531-68-030 00, 8531-68-030 31.

⑥ QUANTITY

This denotes the Quantity of each part number per the D-Code used on the applicable model(s).

⑦ DESCRIPTION

An additional descriptive information for each part is provided as necessary.

⑧ MODEL APPLICATION

Model Application for a part is shown in this column if necessary. If there is no Model Application indicated, the affected part is applicable to "ALL MODELS" covered in the page. For further information, refer to "HOW TO INTERPRET THE MODEL APPLICATION" shown later (frame No. G16).

⑨ INTERCHANGEABILITY CODE

The code in < > brackets appearing in this column indicates the level of interchangeability between the indicated part and the former one. For the definition of the Codes, refer to "INTERCHANGEABILITY CODE LIST" shown in the lower corner of each fiche (frame No. N1).

⑩ NEW PART NUMBER'S SIGN

An asterisk (*) appearing in the "Part Number" column indicates that the affected Part Number has been newly added since the last edition.

⑪ VIN (CHASSIS No.)

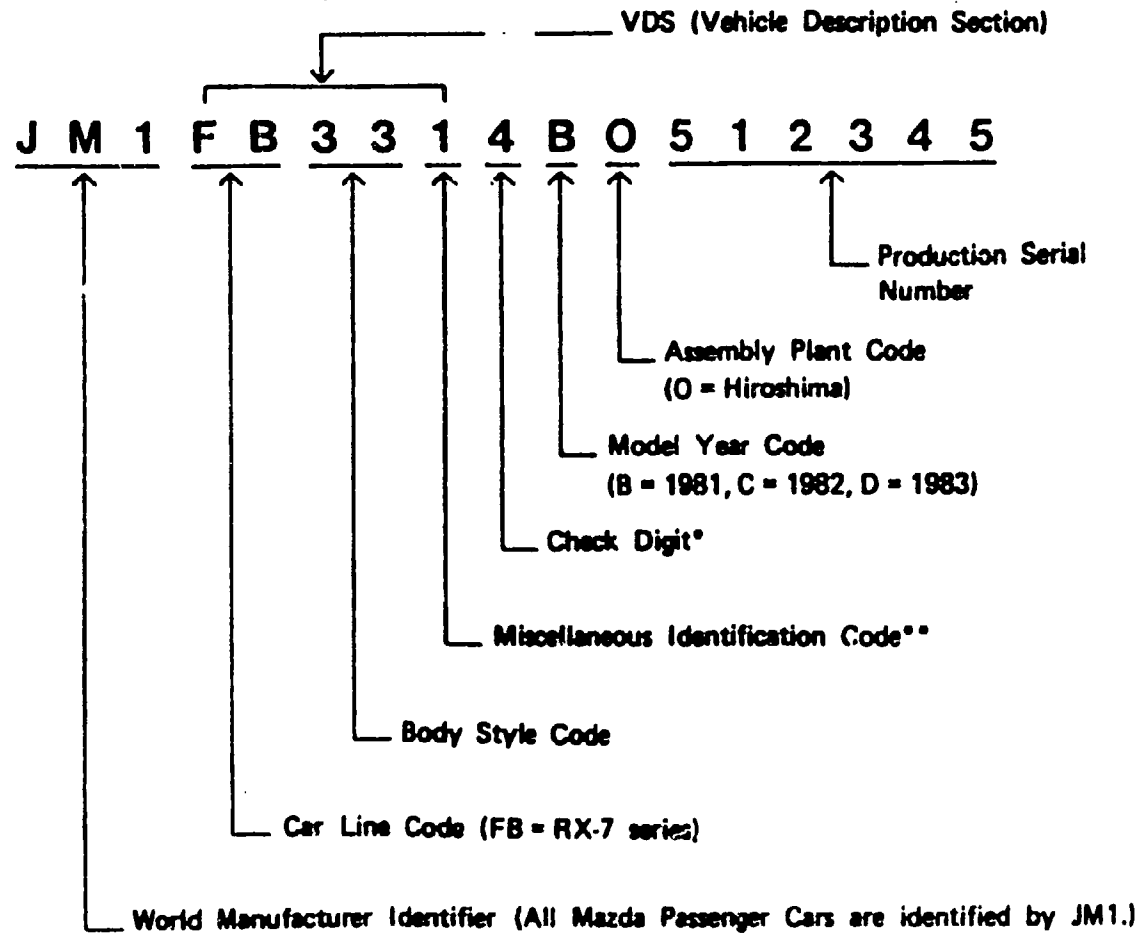
VIN (Vehicle Identification Number) is shown in this column if necessary, to identify the vehicles applicable to the affected part. For further details, refer to "HOW TO INTERPRET THE VIN (CHASSIS No.)" located in frame No. H16 of this fiche.

HOW TO INTERPRET THE VIN (CHASSIS No.)

VEHICLE IDENTIFICATION SYSTEM FOR MAZDA RX-7 SERIES (1981--)

Vehicle Identification Number (VIN) for RX-7 (1981 and later year models) consists of World Manufacturer Identifier, Vehicle Description Section (VDS), Check Digit, Model Year Code and Production Serial Number which is sequentially numbered within each VDS.

Shown below as an example is the VIN for Mazda RX-7 (1981 model).



* Check Digit is included as a VIN security feature to permit law enforcement verification of the authenticity of a suspected illegal VIN plate. This single digit number is determined, based upon a complex mathematical formula which is applied to each vehicle's VIN number.

** Miscellaneous Identification Code identifies major components such as engine, brake system, cab type, etc. However, if all models of the same car line use the same such components, this code is indicated as a numeric character "1" only.

VIN PRESENTATION ON THE PARTS CATALOG

VIN does NOT ALWAYS APPEAR. No "VIN" indicated denotes that a Part is applicable to the affected model from the FIRST PRODUCTION and ON (up to now).

If the information in the "VIN" column appeared as the example below:

6230A-1 BACK DOOR MECHANISMS (HATCHBACK)

D-CODE (Key No.)	PART NAME	PART No.	Qty.	MODEL/DESCRIPTION	VIN (Chassis No.)
62210A	HINGE, BACK DOOR	8531-62-210B	2	1000 1300	FA4PS... 500001 -522626 FA4TS... 500001 -688439
		8531-62-210D	2		FA4PS... 522627- FA4TS... 688440- FA4US... 500001-
62310	LOCK, BACK DOOR	8531-62-310B	2		


... the correct interpretation of the above would be:

- ① Part No. 8531-62-210B is applicable to Model 1000 from VIN FA4PS-500001 thru FA4PS-522626 and Model 1300 from VIN FA4TS-500001 thru FA4TS-688439 for the Hatchback respectively.
- ② Part No. 8531-62-210D is applicable to Model 1000 from VIN FA4PS-522627 and on, Model 1300 from VIN FA4TS-688440 and on, and Model 1400 from VIN FA4US-500001 (the first production) and on for the Hatchback respectively.
- ③ Part No. 8531-62-310B is applicable to ALL MODELS (1000, 1300 and 1400) of the Hatchback series from the FIRST PRODUCTION and ON (up to now).

HOW TO INTERPRET THE MODEL APPLICATION

Model Application does NOT ALWAYS APPEAR. No "Model Application" indicated denotes that a Part is applicable to ALL MODELS covered by the affected page.

If the information in the "MODEL/DESCRIPTION" column appeared as the example below:

4000A-1 EX. SYSTEM (HATCHBACK) 

D-CODE (Key No.)	PART NAME	PART No.	Qty.	MODEL/DESCRIPTION	VIN (Chassis No.)
40061	HANGER SILENCER	3874-40-060	1	①	
40081	BRACKET	3952-40-080A	1	CAL. ②	
		8021-40-080C	1	FED. ③	

... the correct interpretation of the above would be:

- ① Part No. 3874-40-060 is applicable to All of Hatchbacks.
- ② Part No. 3952-40-080A is applicable to the Hatchbacks for California applications.
- ③ Part No. 8021-40-080C is applicable to All Hatchbacks for Federal applications.

CAL. = California

FED. = Federal

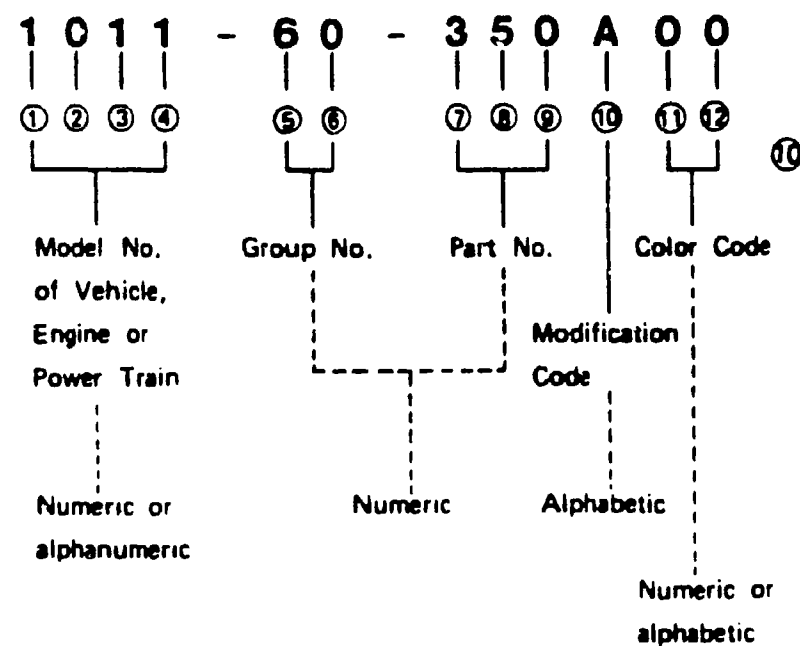
MAZDA PART NUMBERING SYSTEM

Mazda Part Numbers are generally classified into three categories: General Parts, Standard Parts and Special Tools.

MAZDA GENERAL PARTS

The Part Number basically consists of nine or ten digits. The 10th digit (if applicable) denotes modification of the part. It has twelve digits when a color code consisting of two digits is required.

EXAMPLE



[Note]

If a color code was required but not modification code, the 10th digit would be blank and the color code would follow, e.g.,

1011-60-350-00

↑
blank

MAZDA STANDARD PARTS

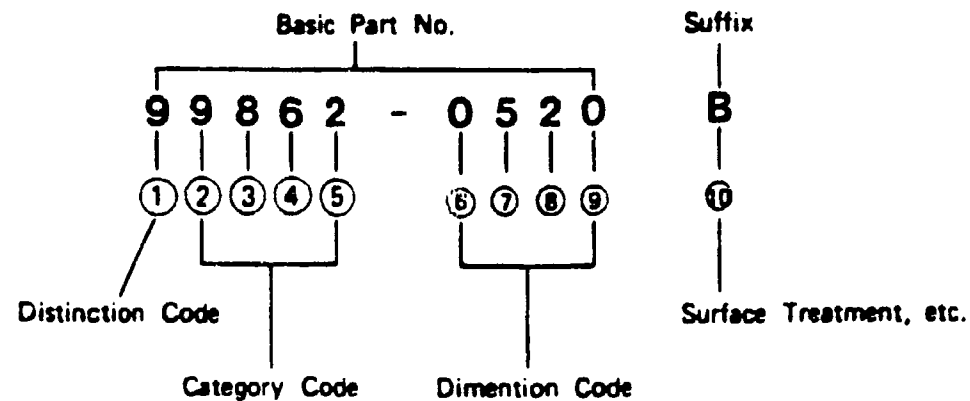
Those Parts which are standardized in form and dimension such as Bolts, Nuts, Washers, Hoses, Disc Wheels, etc. are called Mazda Standard Parts.

All the Mazda Standard Parts are identified by a Part Number starting with "9". The numbering structure of Standard Parts varies depending upon the kind of parts.

The following is just one example of Standard Part Numbers.

For further details and examples, refer to the wall chart, "LIST OF STANDARD PARTS".

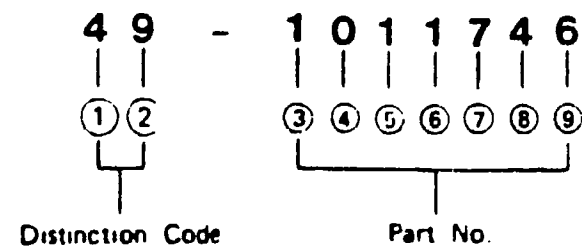
EXAMPLE



MAZDA SPECIAL TOOLS

In order to repair Mazda Vehicles, certain equipment is required. Those are called Mazda Special Tools.



EXAMPLE



(Note)

As Mazda Special Tools are not shown in the Parts Catalog, refer to "LIST OF SPECIAL TOOLS & APPLYING MODELS" as for further details

INTERCHANGEABILITY CODE LIST

Code	Definition	
AN	↔ (Both Ways)	A new part and the former part are fully interchangeable.
A	→ (One Way)	A new part can be used in place of the former part, but the former part cannot be used in place of a new part.
C	Plus 	A new part with some additional part(s) can be used in place of the former part.
G	Plus 	Some modification work is required to use a new part in place of the former part.
S	← (One Way Backward)	The former part can be used in place of a new part, but a new part cannot be used in place of the former part.

ABBREVIATION LIST

ABBREV.	MAY REPLACE	ABBREV.	MAY REPLACE
1ST	First	CAL.	California
2ND	Second	CASS.	Cassette
3RD	Third	CAT.	Category
4TH	Fourth	Cd	Coefficient Of Drag
4 SPD	Four Speed	CD	Compact Disk
4WS	Four Wheel Steering	C.G.R.	Constant Gear Ratio
4WD, 4X4	Four Wheel Drive	CHG.	Change
5TH	Fifth	CHK.	Check
5 SPD	Five Speed	CHMBR	Chamber
		CHN.	Chain
AA.	Anti Airburn	CIGAR.	Cigarette
A.A.S.	Auto Adjusting Suspension	CI	Coefficient Of Lift
ABS	Anti Lock Braking System	CLPR	Caliper
AC	Air Conditioning	CNVTR.	Converter
A.C.C.	Automatic Cruise Control	COMB.	Combination
ACCEL.	Accelerator	COND.	Condenser
A.C.V.	Air Control Valve	COMP.	Compressor
A.E.	Acoustical Equalizer	CONV.	Convertible
ALUM	Aluminum	C/P	Cab Plus
ALL	Automatic Load Leveling	C.S.D.	Cold Start Device
ALT.	Alternator	CSTG.	Coasting
AMP.	Amplifier	CTR.	Center
ANT.	Antenna	CTRL.	Control
APR.	April	CV	Constant Velocity
ASSY.	Assembly	CVR.	Cover
A/T	Automatic Transmission	CYL.	Cylinder
AUG.	August		
AUTO.	Automatic	DASH.	Dashboard
		Db	Decibels
BAL.	Balance	DEC.	December
BELT.	Beltline	DEF.	Defroster
BFGR	B. F. Goodrich	DIAPH	Diaphragm
BRDG	Bridgestone	DIFF.	Differential
BRG.	Bearing	DNLP	Dunlop
BRKT.	Bracket	DOHC	Double Overhead Camshaft
BRN.	Brown	DSL.	Diesel
BLK.	Black	DTSS	Dynamic Tracking Suspension System
BLU.	Blue		
BMPR.	Bumper	DX	Deluxe
B.S.V.	Bleed Solenoid Valve		
BULL.	Bulletin	ECAT	Electronically Controlled A/T
BW	Black Wall	EGI	Electronic Gas Injection
		EGR	Exhaust Gas Recirculation

ABBREVIATION LIST

ABBREV.	MAY REPLACE	ABBREV.	MAY REPLACE
ELEC.	Electric	INN.	Inner
ENG.	Engine	INT.	Interior
ETR	Electronically Tuned Radio	INTMT.	Intermittent
EXC.	Exempt	INJ.	Injector, Injected
EXH.	Exhaust	I.R.S.	Independent Rear Suspension
EXT.	Extension		
EQ	Equalizer	JAN.	January
FEB.	February	JUL.	July
FED.	Federal	JUN.	June
F.I.	Fuel Injection		
FLEX	Flexible	KG	Kilogram
F/LID	Fuel Lid	KM	Kilometer
FRT.	Front	KW	Kilowatt
FRST	Firestone		
FSTNR.	Fastener	LI, LT	Left
		L=	Length
G	Gram	LCD	Liquid Crystal Display
GAS.	Gasoline	L/B	Long Bed
GDYR	Goodyear	LH	Left Hand
GEN.	General	LPG	Liquid Petroleum Gas
GOV.	Governor	L.S.D.	Limited Slip Differential
GRN.	Green	LWR	Lower
GRY.	Gray	LX	Leary
GBKT.	Gasket		
		M	Metallic
H.A.C.	High Altitude Compensator	MAR.	March
HARN.	Harness	MC	Micro
H/B	Hatchback	MCHN	Michelin
HD.	Head	MLDG.	Molding, Mould
H/DUTY	Heavy Duty	MM	Millimeter
HDWE.	Hardware	MMFLD.	Manifold
HL ALT.	High Altitude	MPX	Multiplex
HSG.	House, Housing	MSTR.	Master
HTR.	Heater	M/T	Manual Transmission
		MTG.	Mounting
IC	Integrated Circuit	MTR	Manually Tuned Radio
ID	Inside Diameter		
IGN.	Ignition	N=	Number Of Teeth
ILLUM.	Illumination, Illuminated	N/A	Not Available
		N/B	Notchback
INCL	Includes	NO.	Number
IND	Indicator	NORM.	Normal
INFO.	Information	NOV.	November
INST.	Instrument		

ABBREVIATION LIST

ABBREV.	MAY REPLACE	ABBREV.	MAY REPLACE
OCT.	October	SPEC.	Specification
OD	Outer Diameter	SPEEDO.	Speedometer
O/DRIVE	Overdrive	SPG.	Spring
OHC	Overhead Camshaft	SPKR.	Speaker
OPT.	Optional	SPKRT.	Sprocket
O.S.	Oversize	SRS	Supplemental Restraint System
OUT.	Outer	STAB.	Stabilizer
PANSC	Panasonic	STD.	Standard
PARK.	Parking	STRG.	Steering
PB	Parking Brake	S/ROOF	Sunroof
PCV	Positive Crankcase Ventilation	SUSP.	Suspension
PIN.	Pinion	S/W	Station Wagon
PKG	Package	SW.	Switch
PLR	Pillar	SYNC.	Synchronizer
PROD.	Production	T-	Thickness
P/S	Power Steering	TEMP.	Temperature
P/TRIM	Pillar Trim	THERMO.	Thermostat
PTH	Phillips Truss Head	TMG.	Timing
PWR.	Power	TRANSMISSION	Transmission
QTR.	Quarter	TRK.	Truck
QTY.	Quantity	T/LID	Trunk Lid
RQ, RT	Right	T/S	Teuring Sedan
RH	Right Hand	TTL	Twin Trapezoidal Links
RAD.	Radiator	TURBO	Turbocharged
REINF.	Reinforcement	UP.	Upper
REG.	Regular	U.S.	Undersize
REGUL.	Regulator	VAC.	Vacuum
REL.	Release	V.G.R	Variable Gear Ratio
REM.	Remote	VPV	Variable Port Valve
RET.	Return	VNL	Vinyl
REV.	Reverse	W-	Width
RR.	Rear	W/	With
RWL	Raised White Letters	W/P	Water Pump
S/B	Short Bed	WGN.	Wagon
S/ROD	Shift Rod	WHL.	Wheel
S/S	Supercession	W/O	Without
SDN.	Sedan	WHT.	White
SEP.	September	W/SIELD	Wind Shield, Screen
SERV.	Service	WTR.	Water
SLND.	Solenoid	W/W	White Walls
SOHC	Single Overhead		

mazda

1984-85 RX-7 ACCESSORIES

AERO

0000-86-2200 - 1979-85, Lip Spoiler

AIR CONDITIONER

Refer to Accy. Bulletin XA-1 for Air Conditioner information.

ARM REST

Refer to Accy. Bulletin XN-1 for replacement parts.

BATTERY

0000-80-124F

Refer to Accy. Bulletin XG-4 for Battery information.

BLOCK HEATER

0000-88-6600

Refer to Accy. Bulletin XG-5 for installation information.

CIGARETTE LIGHTERS

B001-66-252 - 1983-90

CRUISE CONTROL

FA54-99-063A

Refer to Accy. Bulletin XG-7 for more Cruise Control information.

DOOR EDGE GUARDS

0000-88-3199-BK - ALL, Black Universal Type

FRONT MASK

0000-88-0584 - 1984-85, W/O Air Dam

PAINT

Refer to Accy. Bulletin XE-2 for Touch-Up Paint information.

STEREO EQUIPMENT

Refer to Accy. Bulletins XS-1, XS-2, and XS-3 for Audio information.

SUNROOF

0000-86-2600 - 1980-85, Moonroof

0000-86-2600-KT - 1980-85, Left & Right Hinge

0000-86-2600-CP - 1980-85, Cap Nut Set

8346-62-885 - 1980-85, Slide Hook Latch

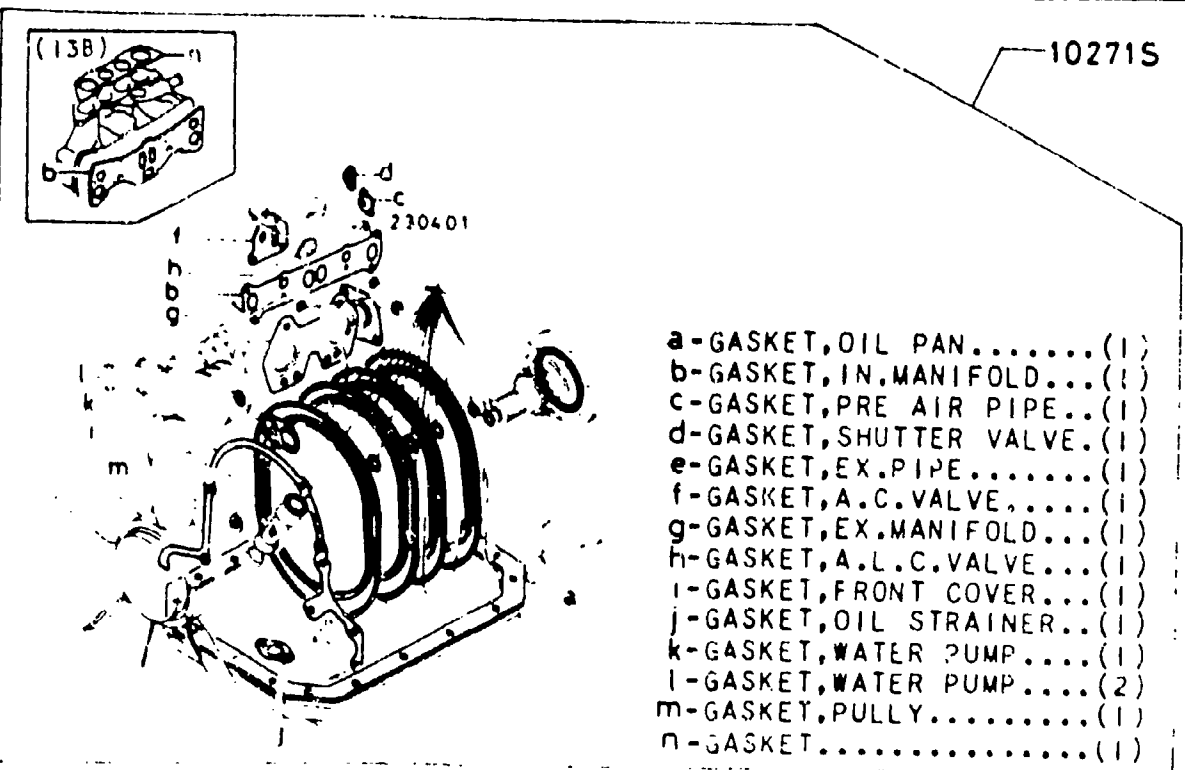
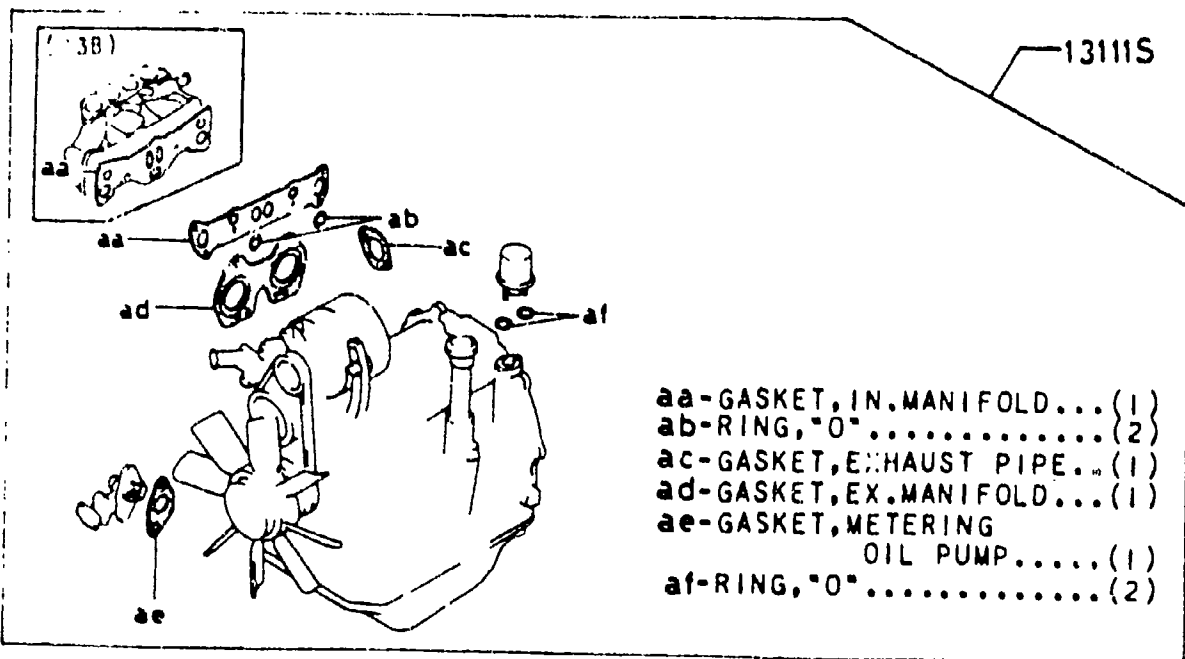
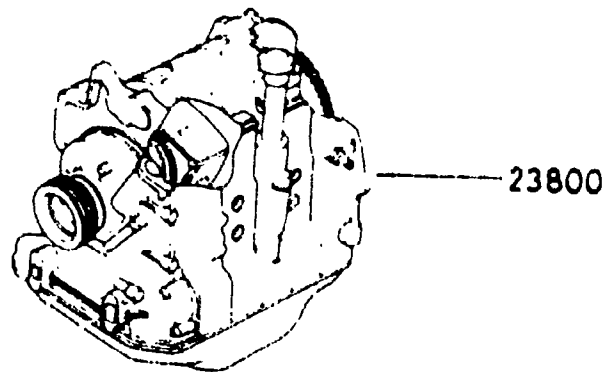
TIRES

Refer to Accy. Bulletins XE-1 for Tire information.

SECTION INDEX -- ENGINE

STARTING LOCATION	SECT NO.	SECTION NAME	STARTING LOCATION	SECT NO.	SECTION NAME	STARTING LOCATION	SECT NO.	SECTION NAME
1 - C 3	1000A	SHORT ENGINE & GASKET SETS	1 - G 6	1720A	CHANGE CONTROLS (MANUAL)			
1 - D 3	1030A	ROTOR HOUSING	1 - H 6	1800A	ENGINE ELECTRICAL SYSTEM			
1 - F 3	1040A	OIL PAN, FRONT & REAR HOUSING	1 - I 6	1820A	DISTRIBUTOR			
1 - G 3	1100A	ECCENTRIC SHAFT & FLYWHEEL	1 - J 6	1830A	ALTERNATOR			
1 - H 3	1110A	ROTOR & RELATED	1 - K 6	1840A	STARTER			
1 - I 3	1300A	INTAKE MANIFOLD (12A) (S.GS.GSU)	1 - M 6	1850A	BATTERY & CABLES			
1 - J 3	1300AA	INTAKE MANIFOLD (13B) (GSL-SE)	1 - N 6	1910A	TORQUE CONVERTER, OIL PUMP & PIPING (AUTOMATIC)			
1 - K 3	1310A	EXHAUST MANIFOLD (12A) (S.GS.GSU)	1 - C 7	1920A	TRANSMISSION CASE & MAIN CONTROLS (AUTOMATIC)			
1 - L 3	1310AA	EXHAUST MANIFOLD (13B) (GSL-SE)	1 - E 7	1930A	CLUTCH & PLANETARY GEAR (AUTOMATIC)			
1 - M 3	1320A	FUEL SYSTEM (12A) (S.GS.GSU)	1 - G 7	1940A	LOW, REVERSE & GOVERNOR (AUTOMATIC)			
			1 - H 7	1950A	MANUAL LINKAGE (AUTOMATIC)			
			1 - I 7	1960A	GASKET & SEAL KIT (AUTOMATIC)			
1 - C 4	1320AA	FUEL SYSTEM (13B) (GSL-SE)						
1 - E 4	1330A	AIR CLEANER (12A) (S.GS.GSU)						
1 - F 4	1330AA	AIR CLEANER (13B) (GSL-SE)						
1 - G 4	1350A	STARTING ASSIST SYSTEM (12A) (S.GS.GSU) (FEDERAL ONLY)						
1 - H 4	1350AA	STARTING ASSIST SYSTEM (13B) (GSL-SE) (FEDERAL ONLY)						
1 - I 4	1359A	CARBURETOR & REPAIR KIT (12A) (S.GS.GSU)						
1 - J 4	1360A	CARBURETOR COMPONENTS (12A) (S.GS.GSU)						
1 - L 4	1371A	AIR PUMP & AIR CONTROL VALVE (12A) (S.GS.GS)						
1 - M 4	1371AA	AIR PUMP & AIR CONTROL VALVE (13B) (GSL-SE)						
1 - N 4	1380A	EMISSION CONTROLS (12A) (S.GS.GSU)						
1 - C 5	1380AA	EXHAUST SIDE EMISSION CONTROLS (13B) (GSL-SE)						
1 - E 5	1400A	OIL PUMP & FILTER (12A) (S.GS.GSU)						
1 - F 5	1400AA	OIL PUMP & FILTER (13B) (GSL-SE)						
1 - H 5	1500A	COOLING SYSTEM (12A) (S.GS.GSU)						
1 - I 5	1500AA	COOLING SYSTEM (13B) (GSL-SE)						
1 - K 5	1580A	COMPRESSOR BRACKET PULLEY & BELT						
1 - L 5	160CA	CLUTCH DISC & COVER						
1 - M 5	1700A	TRANSMISSION CASE (MANUAL)						
1 - C 6	1710A	TRANSMISSION GEARS (MANUAL)						

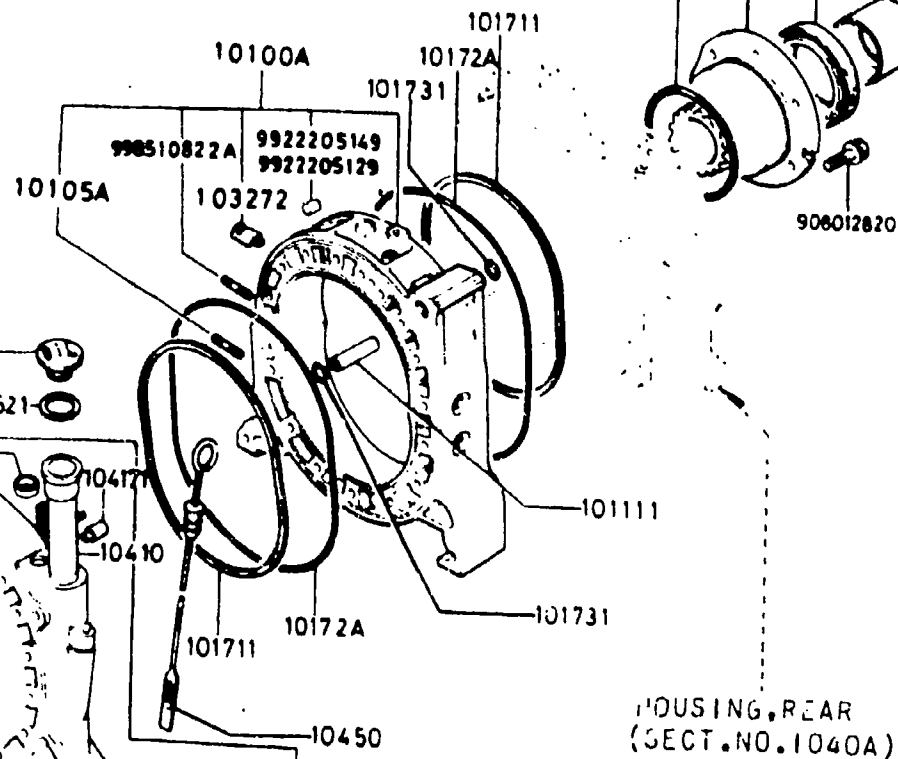
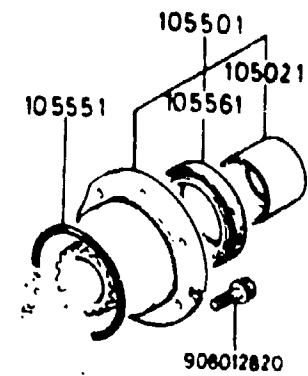
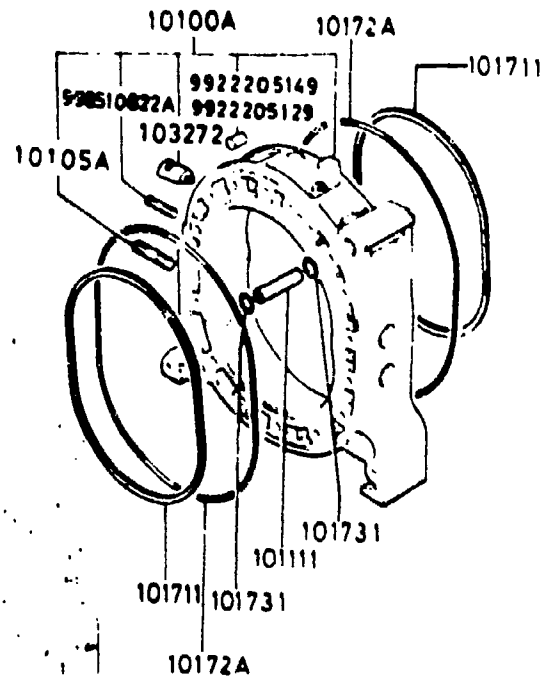
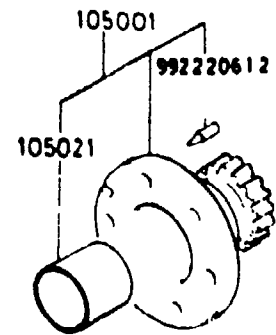
1000A-1 SHORT ENGINE & GASKET SETS



ITEM NO.	D-CODE	DESCRIPTION	PART NO.	QTY	MODEL/DESCRIPTION	REMARKS
	10 2715	GASKET SET, ENGINE	N231-99-100	1	12A (S.GS.GSU)	
			N304-99-100A	1	13B (GSL-SE)	
	13 1115	GASKET SET, SUB-ENGINE	N201-99-050	1	12A (S.GS.GSU)	
			N304-99-050	1	13B (GSL-SE)	
	23 0401	O-RING SET	1757-23-040B	1	12A (S.GS.GSU)	
			N307-23-040	1	13B (GSL-SE)	
	23 800	ENGINE, SHORT REFER TO PARTS BULL. NOS. M-6 & P-8 FOR MORE INFO.				

1030A-1 ROTOR HOUSING

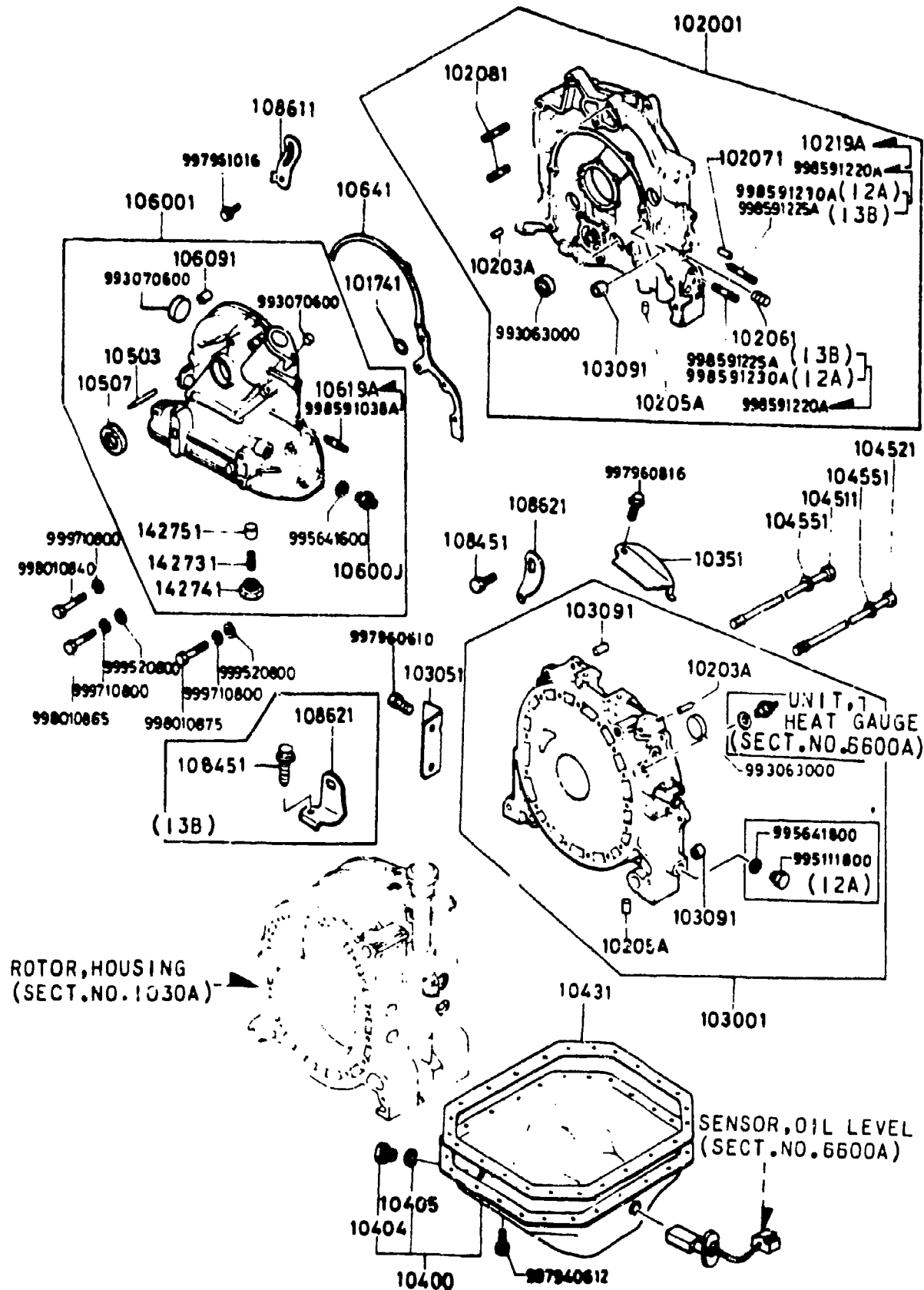
HOUSING, FRONT
(SECT. NO. 1040A)



HOUSING, REAR
(SECT. NO. 1040A)

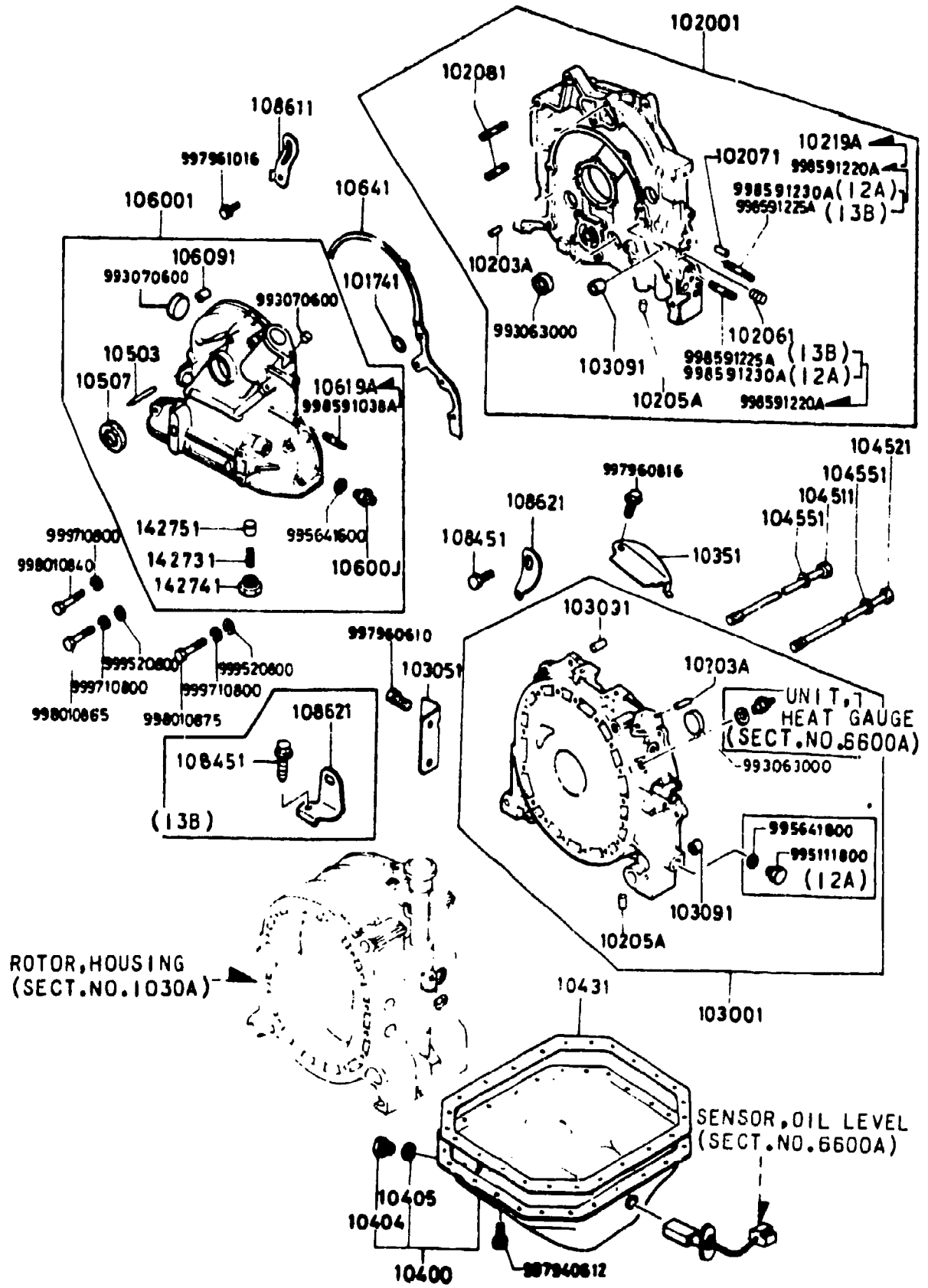
ITEM NO	D-CODE	DESCRIPTION	PART NO	QTY	MODEL/DESCRIPTION	REMARKS
10 100A		HOUSING, ROTOR	N249-10-100	2	12A (S.GS.GSL)	
			N304-10-100C	2	13B (GSL-SE)	
10 105A		STUD, REACTOR	0839-10-105	4		
10 1111		DOWEL, TUBULAR	0839-10-1116	4	12A (S.GS.GSL)	
			1757-10-111	4	13B (GSL-SE)	
10 1711		RING, SQUARE	1757-10-171A	4		
10 172A		RING, SQUARE-OUTER	1480-10-172	4		
10 1731		O-RING	N231-10-173	4		
10 2501		CAP, OIL FILLER	8871-10-250A	1		
10 2521		GASKET, OIL CAP	8871-10-252	1		
10 3272		PLUG, JET	N236-14-633A	2	13B (GSL-SE)	
10 4001		HOUSING, INTERMEDIATE	8341-10-400	1	12A (S. GS. GSL)	
			N304-10-400	1	13B (GSL-SE)	
10 410		PIPE, OIL FILLER	3565-10-410A	1		
10 4171		JOINT, PIPE	8562-10-417	1		
10 450		DIPSTICK	N201-10-830	1		
10 5001		GEAR, STATIONARY-FRT.	3743-10-500	1	12A (S.GS.GSL)	
			3648-10-500	1	13B (GSL-SE)	
10 5021		BEARING, MAIN	0820-10-502B	2		
10 5501		GEAR, STATIONARY-RR.	3743-10-550A	1	12A (S. GS. GSL)	
			3648-10-550A	1	13B (GSL-SE)	
10 5551		O-RING	0813-10-555A	1		
10 5561		SEAL, OIL	1668-10-556A	1		

1040A-1 OIL PAN, FRONT & REAR HOUSING



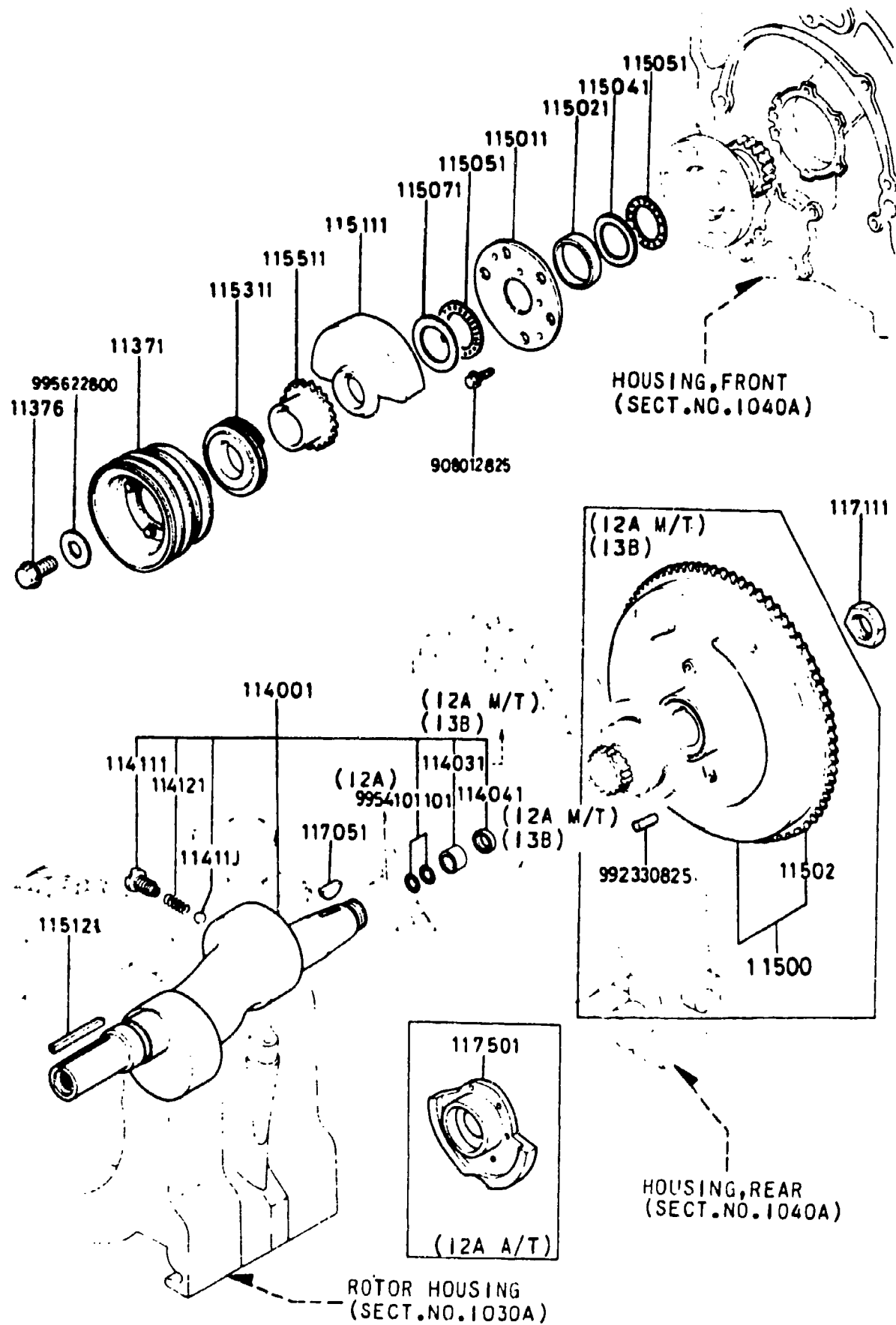
ITEM NO.	D-CODE	DESCRIPTION	PART NO.	QTY	MODEL/DESCRIPTION	REMARKS
	10 1741	O-RING	N231-10-174	1		
	10 2001	HOUSING, FRONT	8981-10-200B	1	12A (S.GS,GSL)	
			N304-10-200B	1	13B (GSL-SF)	
	10 203A	PIN, DOWEL	0839-10-203	2		
	10 205A	PLUG, BLIND	8562-10-205	4		
	10 2061	PLUG, BLIND	1757-10-206A	1		
	10 2071	PLUG, BLIND	1757-10-207A	1		
	10 2081	STUD	1757-10-208	4		
	10 219A	STUD, HOUSING	N249-10-219	1	FROM JAN '84 PROD.	FB33* ..815218-
	10 3001	HOUSING, REAR	N231-10-300A	1	12A (S.GS,GSL)	
			N304-10-300	1	13B (GSL-SE)	
	10 3051	COVER, DUST	1481-10-305	1	12A A/T (S.GS,GSL) THRU OCT '83 PROD.	FB33* ..800001-806530
			1480-10-305	1	12A A/T (S.GS,GSL) FROM NOV '83 PROD.	FB33* ..806531-
			N225-10-305	1	13B (GSL-SE)	
	10 3091	PIN, TUBULAR	1757-10-309	4		
	10 351	COVER, DUST	N231-10-351A	1	12A M/T (S.GS,GSL)	
			N304-10-351	1	13B (GSL-SE)	
	10 400	PAN, OIL	N201-10-700A	1	CAL. 12A (S.GS,GSL)	
			N203-10-700	1	FED/12A (S.GS,GSL)	
			N304-10-700	1	FED/13B (GSL-SE)	
			N305-10-700A	1	CAL. 13B (GSL-SE)	
	10 404	PLUG, DRAIN	HE03-10-404	1		
	10 405	GASKET, DRAIN PLUG	9956-41-400	1		
	10 431	GASKET, OIL PAN	0839-10-711	1	12A (S.GS,GSL)	
			1757-10-711	1	13B (GSL-SE)	
	10 4511	BOLT, TENSION	1015-10-451B	16	12A (S.GS,GSL)	
			1757-10-451B	17	13B (GSL-SE)	
	10 4521	BOLT, TENSION	1015-10-452A	1	12A (S.GS,GSL)	
			1757-10-452A	1	13B (GSL-SE)	
	10 4551	WASHER, SEAL	0839-10-455	17	12A (S.GS,GSL)	
				18	13B (GSL-SE)	
	10 503	PIN, TOP INDICATOR	8871-10-631A	1		
	10 507	SEAL, OIL	0820-10-605	1		
	10 6001	COVER, FRONT	N231-10-600B	1	12A (S.GS,GSL)	
			N304-10-A60	1	13B (GSL-SE)	
	10 600J	JOINT, UNION	9938-41-200F	1		
	10 6091	PIN, SPRING	1757-10-609	1		
	10 619A	STUD, COVER	N249-10-619	2	FROM JAN '84 PROD.	FB33* ..815218-
	10 641	GASKET, FRONT COVER	8527-10-641	1		

1040A-2 OIL PAN, FRONT & REAR HOUSING



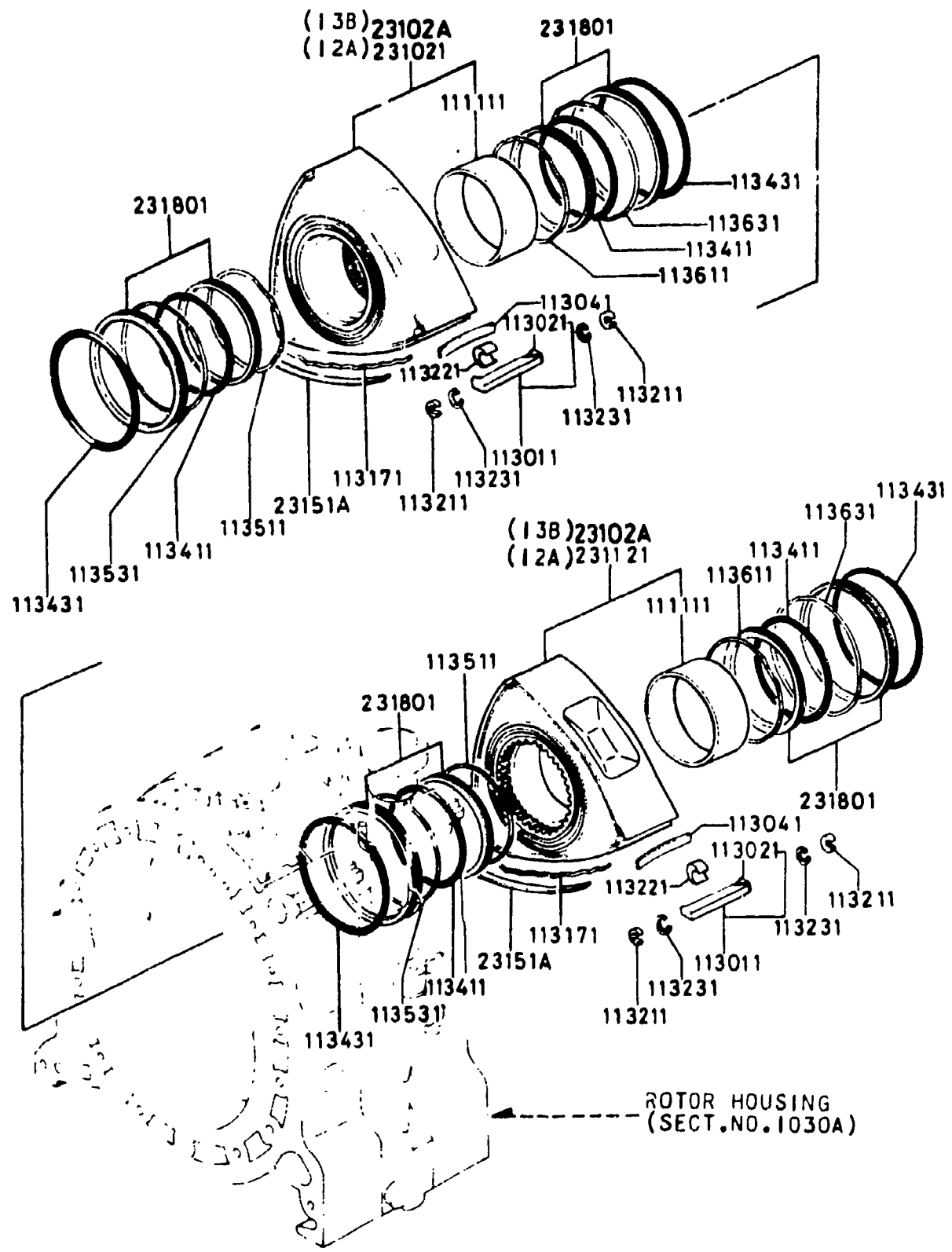
ITEM NO.	D-CODE	DESCRIPTION	PART NO.	QTY	MODEL/DESCRIPTION	REMARKS
10 8451		BOLT	8555-10-845	1	12A (S,GS,GSS)	
			N307-10-845	1	13B (GSI-SE)	
10 8611		HANGER, ENGINE	N225-10-861	1		
10 8621		HANGER, ENGINE	8871-10-862	1	12A (S,GS,GSS)	
			N304-10-862	1	13B (GSI-SE)	
14 2731		SPRING	N231-14-273	1	12A (S,GS,GSS)	
			0839-14-273A	1	13B (GSI-SE)	
14 2741		PLUG	0839-14-274	1		
14 2751		PLUNGER, CONTROL	0839-14-115	1		

1100A-1 ECCENTRIC SHAFT & FLYWHEEL



ITEM NO.	D-CODE	DESCRIPTION	PART N.O.	QTY	MODEL/DESCRIPTION	REMARKS
11 371		PULLEY, CRANKSHAFT	N249-11-600A	1	12A (S,GS,GSU)	
			N304-11-600A	1	13B (GSL-SE)	
		SEE SERVICE BULLETIN 008/84, CAT. 1 FOR MORE PULLEY INFO.				
11 376		BOLT, PULLEY	0820-11-611B	1		
11 4001		SHAFT, ECCENTRIC	N201-11-400	1	12A M/T (S,GS,GSU)	
			1883-11-400A	1	12A A/T (S,GS,GSU)	
			N304-11-400	1	13B (GSL-SE)	
11 4031		BEARING, NEEDLE	N326-11-D03	1	12A M/T (S,GS,GSU)	
					13B (GSL-SE)	
11 4041		SEAL, OIL	1881-11-404	1	12A M/T (S,GS,GSU)	
					13B (GSL-SE)	
11 4111		PLUG, OIL JET	0839-11-411A	2		
11 411J		BALL, STEEL	9961-12-000	2		
11 4121		SPRING	0839-11-412	2		
11 500		FLYWHEEL	N231-11-700A	1	12A M/T (S,GS,GSU)	
			N304-11-700A	1	13B (GSL-SE)	
		SEE SERVICE BULLETIN 003/84, CAT. 40 FOR MORE FLYWHEEL INFO.				
11 5011		PLATE	1011-11-501	1		
11 502		GEAR, RING	0866-11-702	1	12A M/T (S,GS,GSU)	
					13B (GSL-SE)	
11 5021		SPACER	0839-11-509	1	(L=8.00)	
			0839-11-502	1	(L=8.02)	
			0839-11-508	1	(L=8.04)	
			8519-11-517	1	(L=8.06)	
			0839-11-506	1	(L=8.08)	
11 5041		PLATE, THRUST	1011-11-504	1		
11 5051		BEARING, NEEDLE	0813-11-505B	2		
11 5071		WASHER, THRUST	1011-11-507	1		
11 5111		WEIGHT, BALANCE	N226-11-511A	1	12A (S,GS,GSU)	
			N304-11-511	1	13B (GSL-SE)	
11 5121		KEY	9923-60-571	1		
11 5311		GEAR, DRIVE	0839-11-531	1		
11 5511		GEAR, DRIVE-OIL PUMP	0839-11-551A	1		
11 7051		KEY, FLYWHEEL	0820-11-705	1		
11 7111		NUT, LOCK	0810-11-711	1		
11 7501		WEIGHT, CONTROL	N226-11-751A	1	12A A/T (S,GS,GSU)	

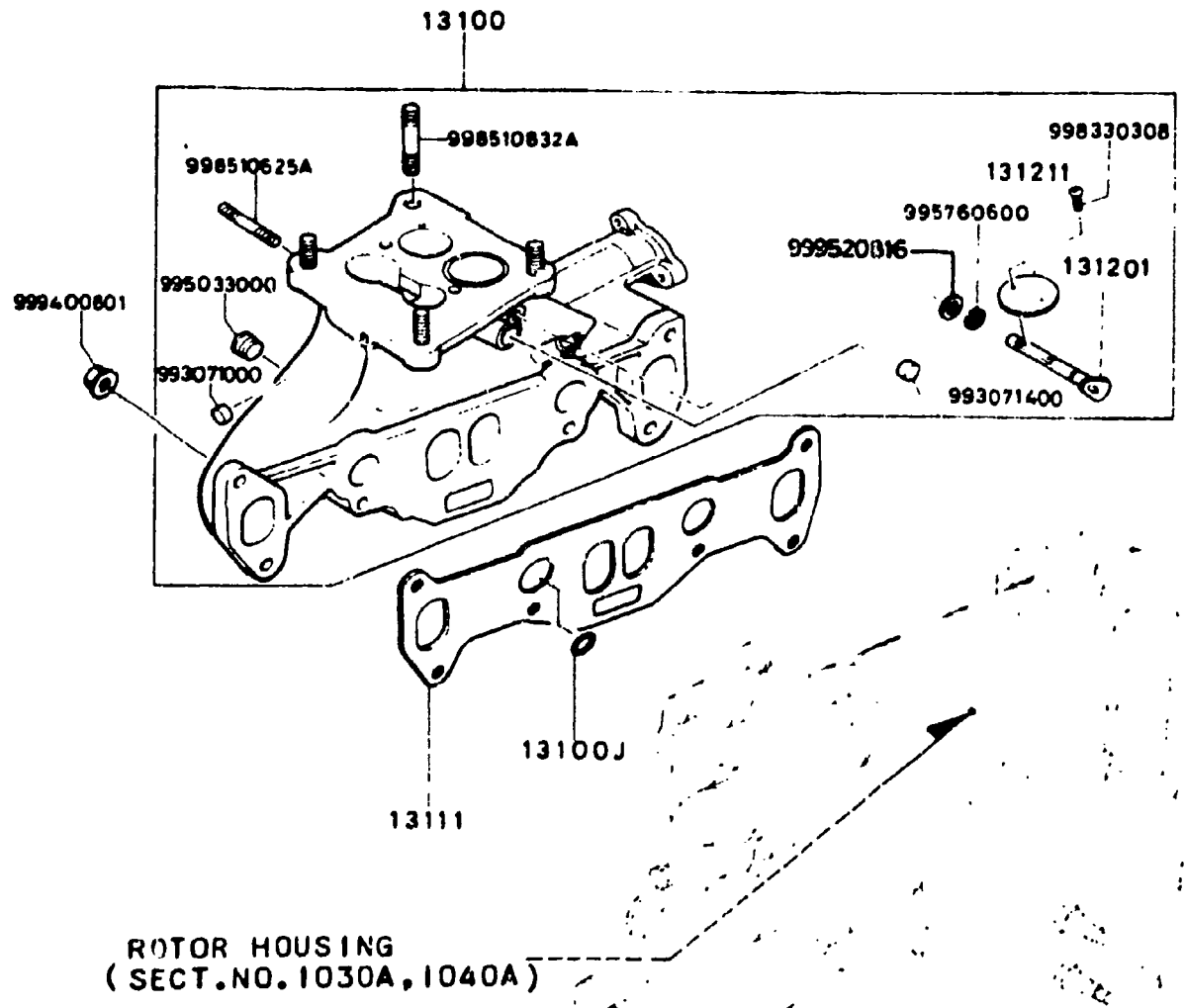
1110A-1 ROTOR & RELATED



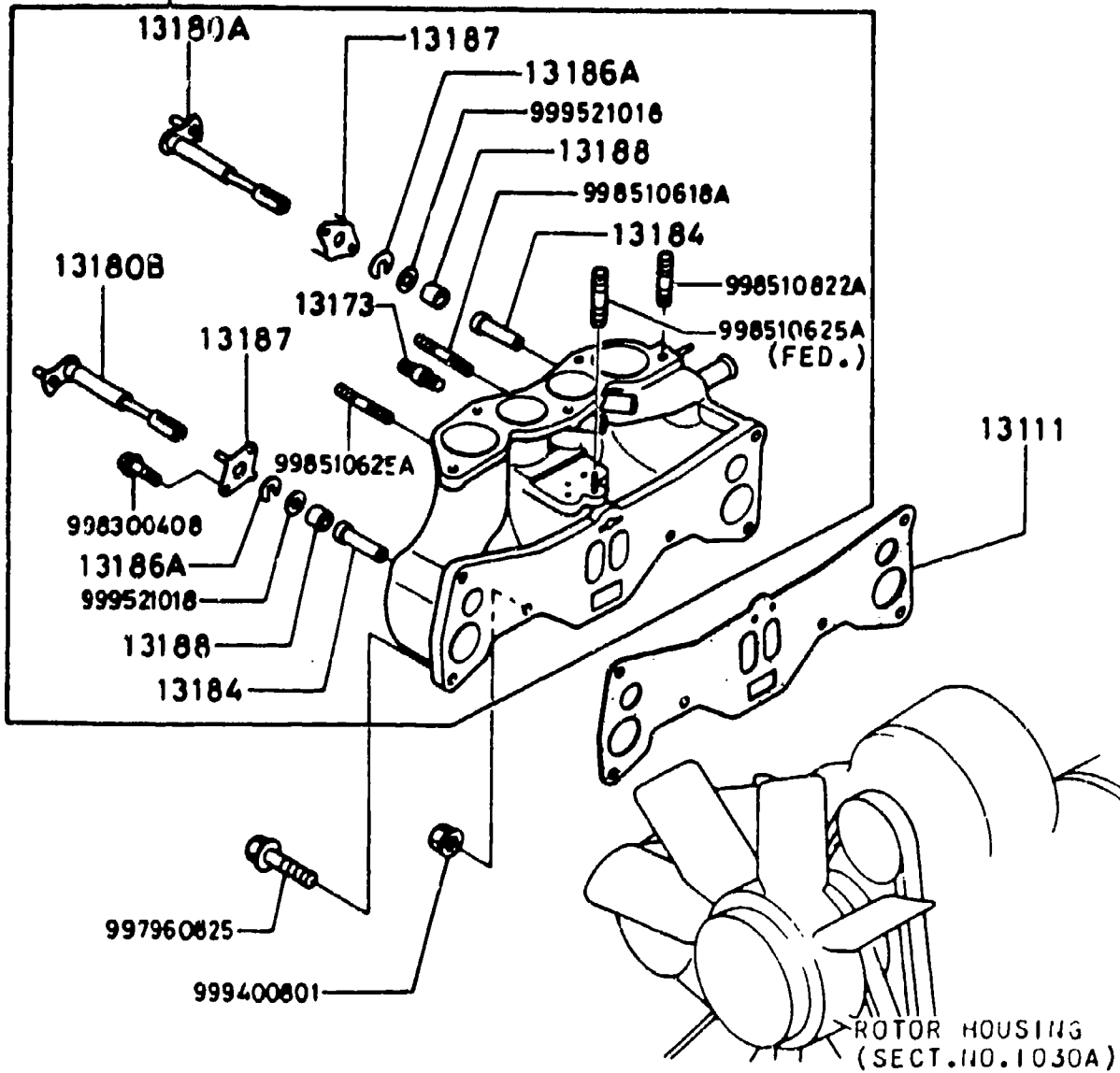
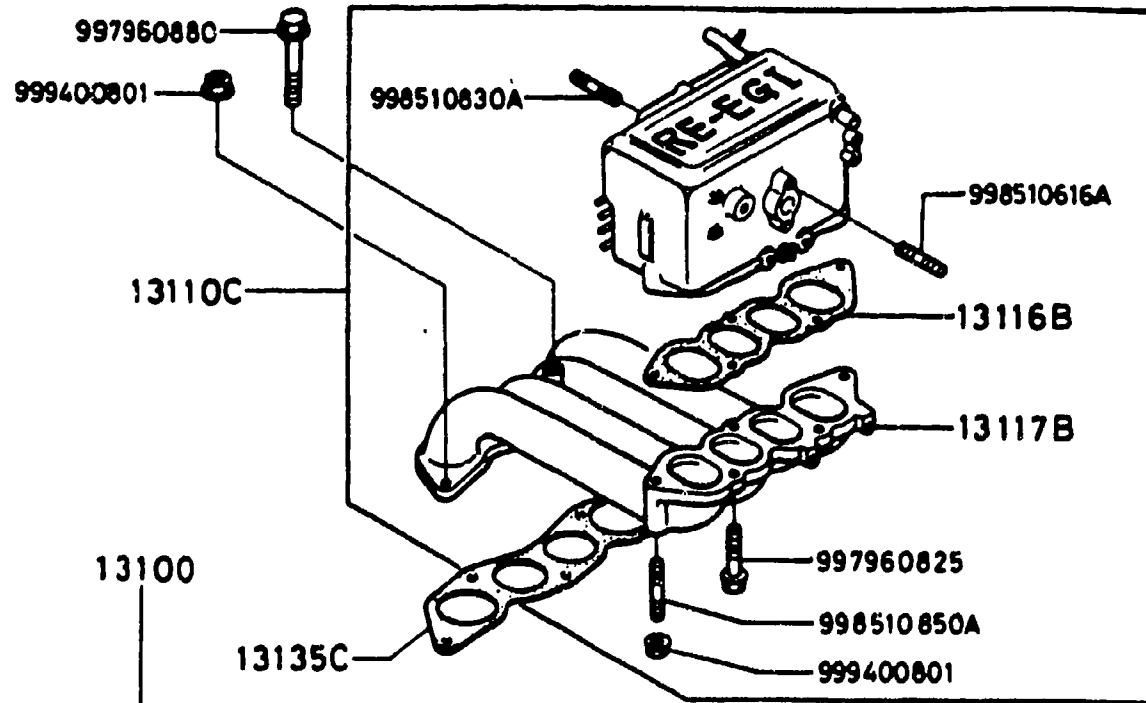
ITEM NO.	D-CODE	DESCRIPTION	PART NO.	QTY	MODEL DESCRIPTION	REMARKS
11 1111		BEARING, ROTOR	1011-11-111	2		
11 3011		SEAL, APEX	N201-11-300A	6	12A (S.GS.GSU)	
			N304-11-300	6	13B (GSU-SE)	
11 3021		PIECE, SIDE	N201-11-302A	6		
11 3041		SPRING, APEX SEAL	1011-11-304B	6	12A (S.GS.GSU)	
			1757-11-304	6	13B (GSU-SE)	
11 3171		SPRING, SIDE SEAL	0820-11-317	12		
11 3211		SEAL, CORNER	N225-11-321	12	(STD.)	
11 3221		PLUG, CORNER SEAL	N201-11-322	12		
11 3231		SPRING, CORNER SEAL	1202-11-323A	12		
11 3411		O-RING, INNER	0820-11-341	4		
11 3431		O-RING, OUTER	1202-11-343	4		
11 3511		SPRING, FRT.-INNER	N225-11-351	2		
11 3531		SPRING, FRT.-OUTER	1011-11-353A	2		
11 3611		SPRING, REAR-INNER	N225-11-361	2		
11 3631		SPRING, REAR-OUTER	1011-11-363A	2		
23 1021		ROTOR, FRONT	N225-23-103	1	12A (S.GS. GSU)	
23 102A		ROTOR	N304-23-103	2	13B (GSU-SE)	
23 1121		ROTOR, REAR	N225-23-113	1	12A (S.GS.GSU)	
23 151A		SEAL, SIDE	1011-23-151A	12		
23 1801		SEAL SET, OIL	8871-23-180	4		

**1300A-1 INTAKE MANIFOLD
(12A) (S,GS,GSL)**

ITEM NO.	D-CODE	DESCRIPTION	PART NO.	QTY	MODEL/DESCRIPTION	REMARKS
13 100		MANIFOLD, INTAKE	N201-13-100A	1		
13 100J		O-RING	8527-13-113	2		
13 111		GASKET, INTAKE MANIFOLD	1881-13-111A	1		
13 1201		SHAFT, VALVE	1480-13-120A	1		
13 1211		VALVE	N201-13-121	1		

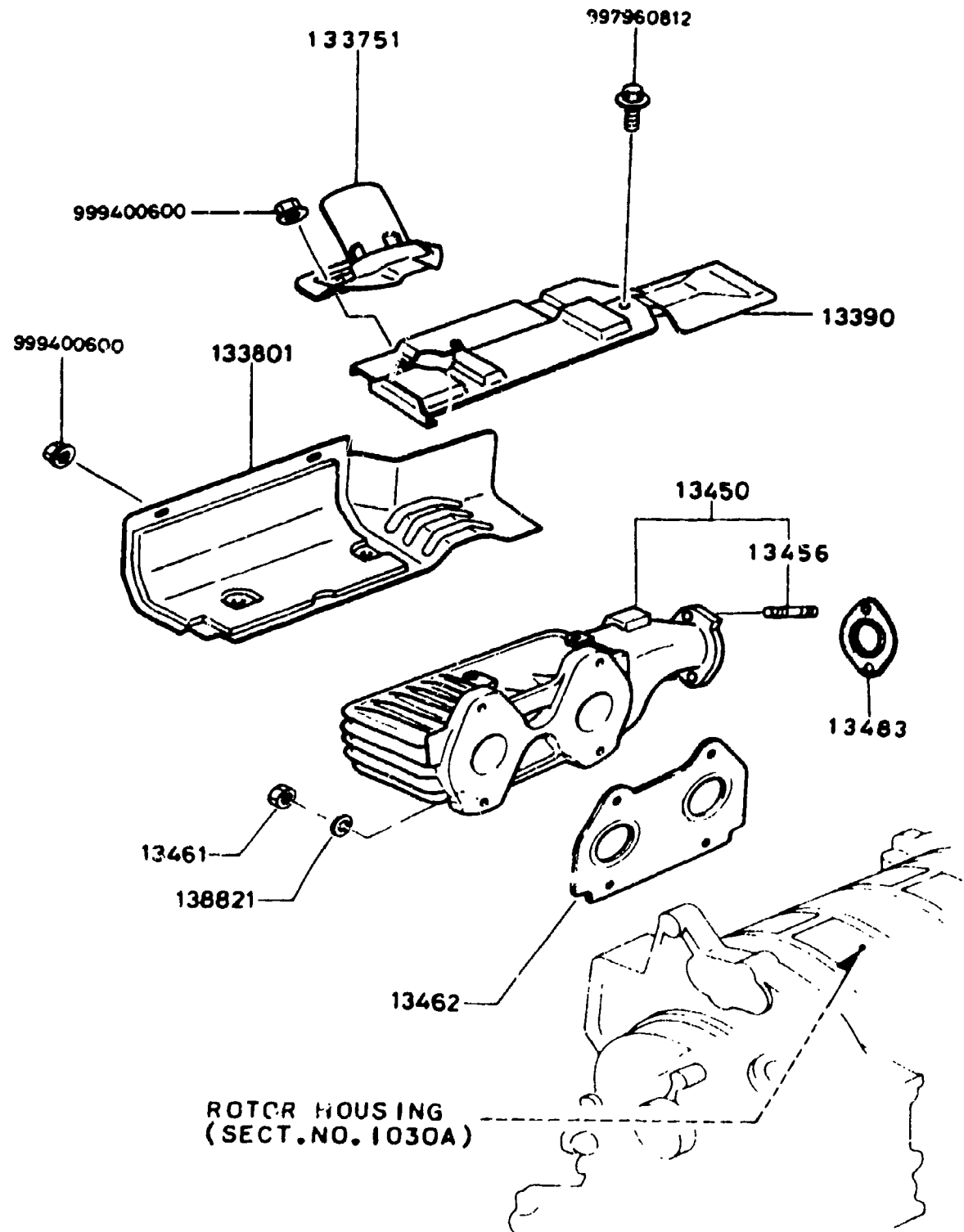


**1300AA-1 INTAKE MANIFOLD
(13B) (GSL-SE)**



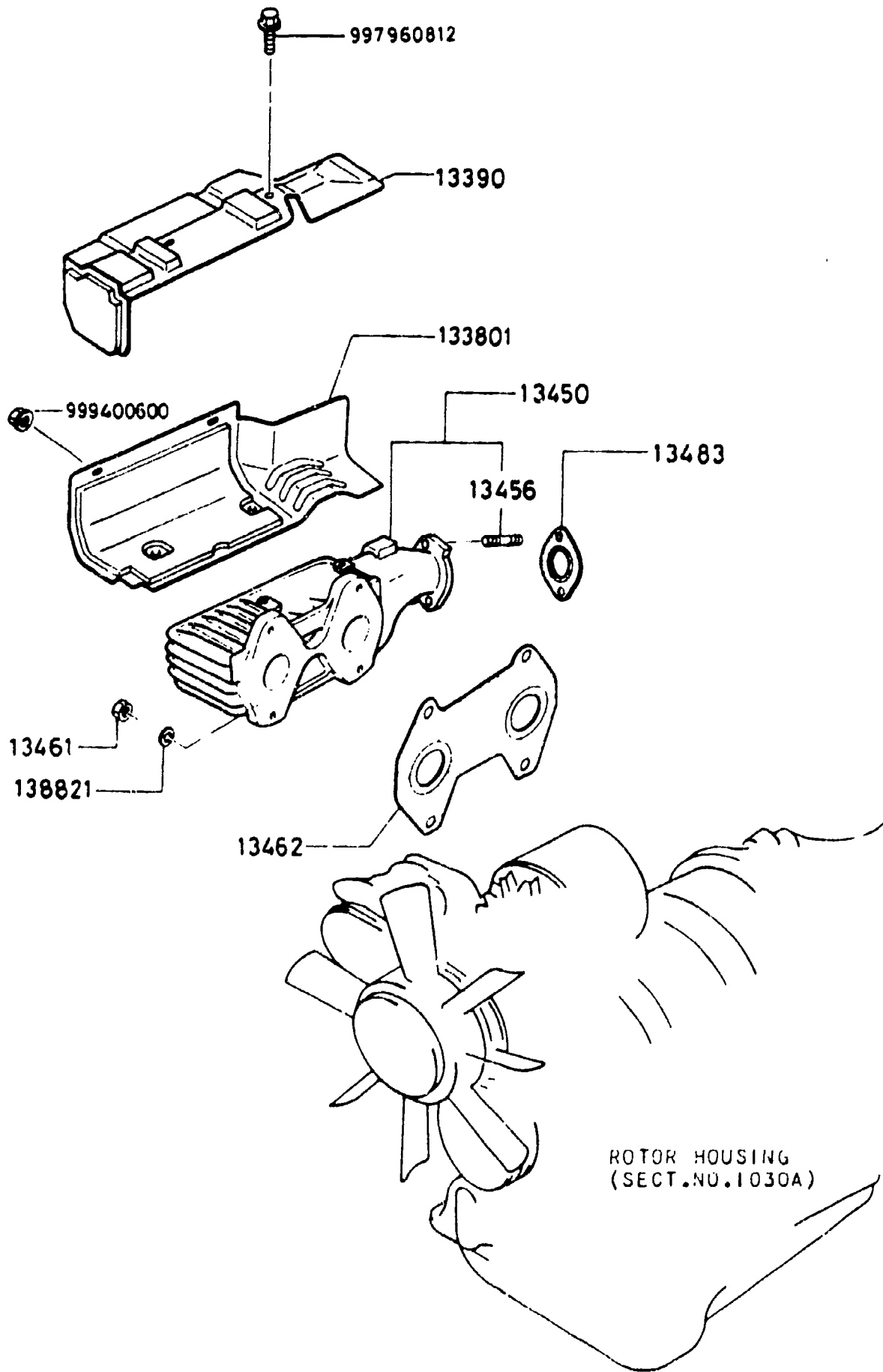
ITEM NO.	D-CODE	DESCRIPTION	PART NO.	QTY	MODEL/DESCRIPTION	REMARKS
13 100		MANIFOLD, INTAKE	N304-13-100F	1	FED	
			N305-13-100F	1	CAL.	
13 110C		CHAMBER, DYNAMIC	N304-13-110D	1		
13 111		GASKET, INTAKE MANIFOLD	N304-13-111	1		
13 116B		GASKET, RESO. CHAMBER	N304-13-116	1		
13 117B		PIPE, INLET-RESO. CHAM	N304-13-117B	1		
13 135C		GASKET	N304-13-114	1		
13 173		STUD	N225-13-173A	2		
13 180A		SHAFT, V.P.V. CONTROL	N304-13-180A	1		
13 180B		SHAFT, V.P.V. CONTROL	N305-13-180A	1		
13 184		BUSHING	N225-13-184	2		
13 186A		PLATE, LOCATING	N225-13-186	2		
13 187		COVER	N304-13-187	2		
13 188		RUBBER, SEALING	N225-13-188A	2		

**1310A-1 EXHAUST MANIFOLD
(12A) (S,GS,GSL)**



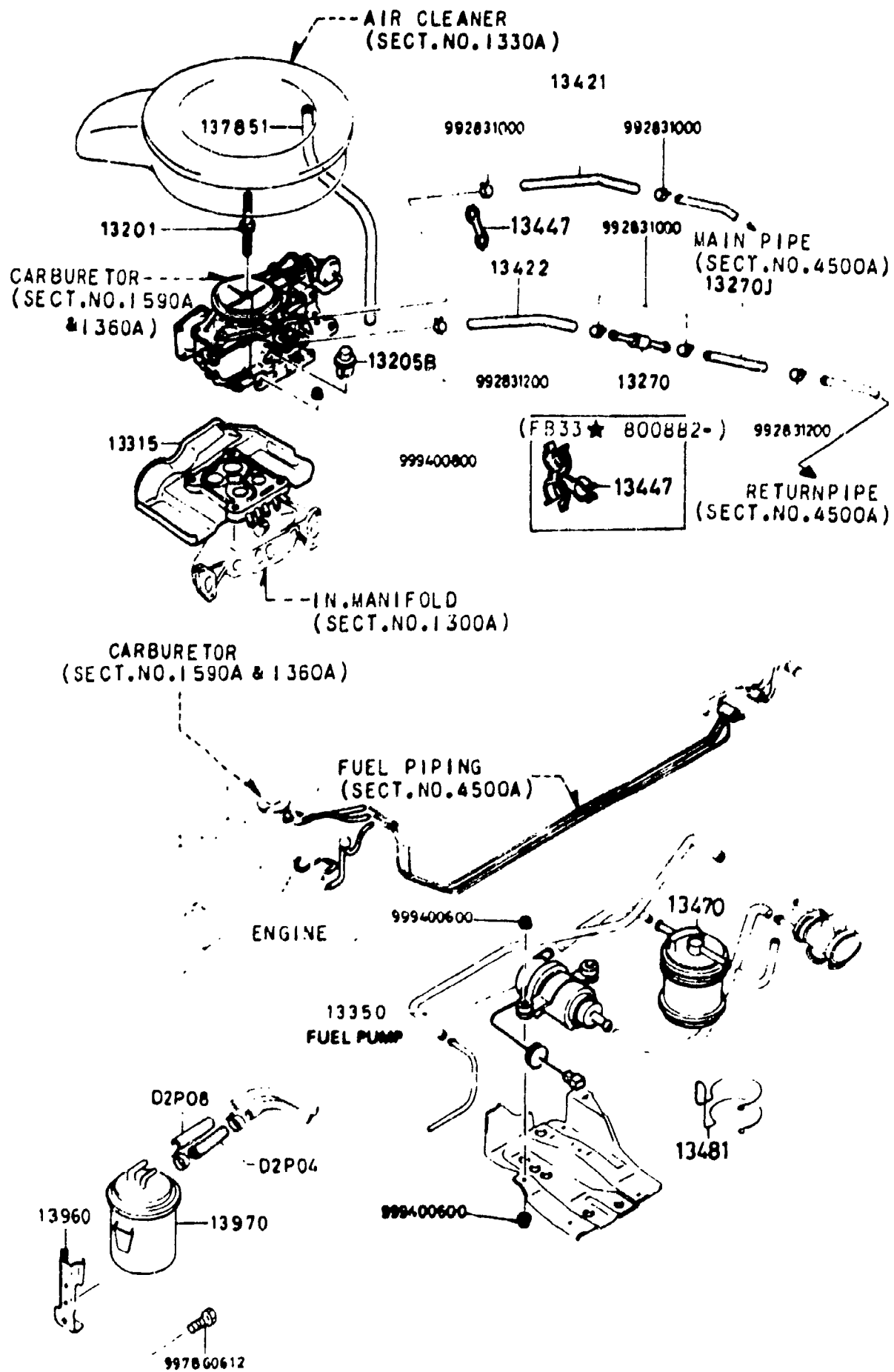
ITEM NO.	D-CODE	DESCRIPTION	PART NO	QTY	MODEL/DESCRIPTION	REMARKS
13 3751		PIPE, HOT AIR DUCT	N249-13-375	1		
13 3801		PLATE, ABSORBER	N249-13-380	1		
13 390		DUCT, HOT AIR	N249-13-330A	1		
13 450		MANIFOLD, EXHAUST	N249-13-600B	1		
13 456		STUD	1757-13-857	2		
13 461		NUT	8134-40-355	4		
13 462		GASKET, EXHAUST MANIFOLD	1480-13-889A	1		
13 483		GASKET, EXHAUST PIPE	1480-13-621	1		
13 8821		WASHER, SPRING	9997-11-000	2	THRU AUG '84 PROD.	FB33* .800001-861828
			E508-20-523	2	FROM SEP '84 PROD.	FB33* .861829.

**1310AA-1 EXHAUST MANIFOLD
(13B) (GSL-SE)**



ITEM NO.	D-CODE	DESCRIPTION	PART NO.	QTY	MODEL/DESCRIPTION	REMARKS
	13 3801	PLATE, ABSORBER	N304-13-380A	1		
	13 390	DUCT, HOT AIR	N304-13-330B	1		
	13 450	MANIFOLD, EXHAUST	N304-13-600B	1		
	13 456	STUD	1757-13-857	2		
	13 461	NUT	8134-40-355	4		
	13 462	GASKET, EXHAUST MANIFOLD	N304-13-889	1		
	13 483	GASKET, EXHAUST PIPE	1480-13-621	1		
	13 8821	WASHER, SPRING	9997-11-000	2	THRU AUG '84 PROD.	FB33* .800001-861828
			E508-20-524	2	FROM SEP '84 PROD.	FB33* .861829-

**1320A-1 FUEL SYSTEM
(12A) (S,GS,GSL)**

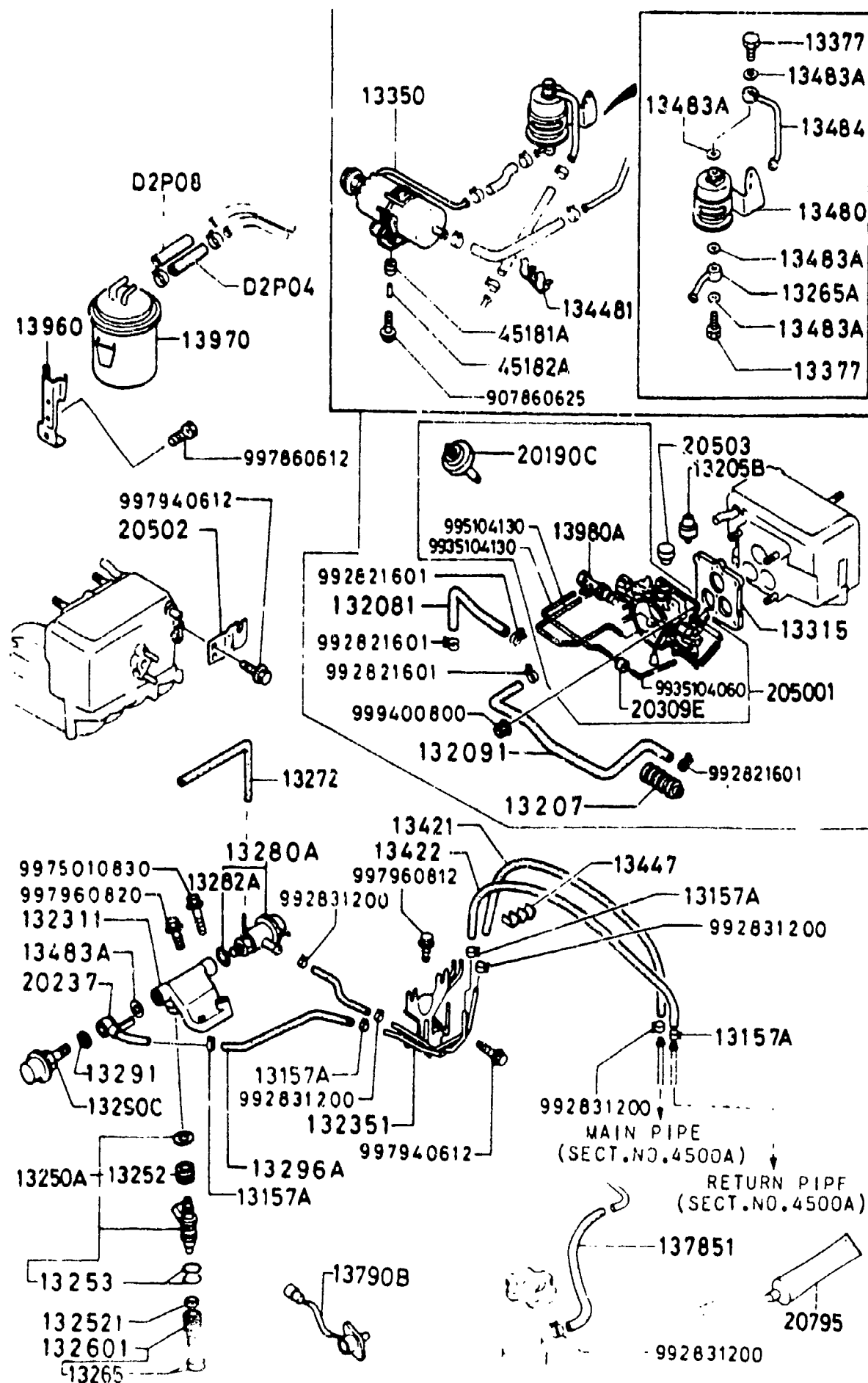


ITEM NO.	D-CODE	DESCRIPTION	PART NO	QTY	MODEL/DESCRIPTION	REMARKS
13 201		BOLT, AIR CLEANER	8871-13-201A	1		
13 205B		CAP, IDLE SWITCH	1481-13-205C	1		
13 270		VALVE, CHECK	3648-13-270A	1		
13 270J		HOSE, FUEL	9935-80-6999	1	(BULK QTY)	
13 315		INSULATOR	1480-13-220B	1		
13 350		PUMP, FUEL	N249-13-400B	1		
13 421		HOSE, FUEL MAIN	9935-80-8999	1	(BULK QTY)	
13 422		HOSE, FUEL RETURN	9935-80-6999	1	(BULK QTY)	
13 447		CLIP	N231-13-445A	1		
13 470		FILTER, FUEL	E508-13-470	1		
			E508-13-470 -BP	1	BLISTER PACK	
13 481		CLAMP, FUEL FILTER	E508-13-481	1		
13 7851		HOSE, VENTILATION	8871-13-785C	1		
13 960		BRACKET, CANISTER	N304-20-611A	1		
13 970		CANISTER	N231-20-610	1		
D2 P04		HOSE, AIR	9935-10-4999	1	(BULK QTY)	
D2 P08		HOSE, AIR	9935-10-8999	1	(BULK QTY)	

SECTION INDEX -- ENGINE

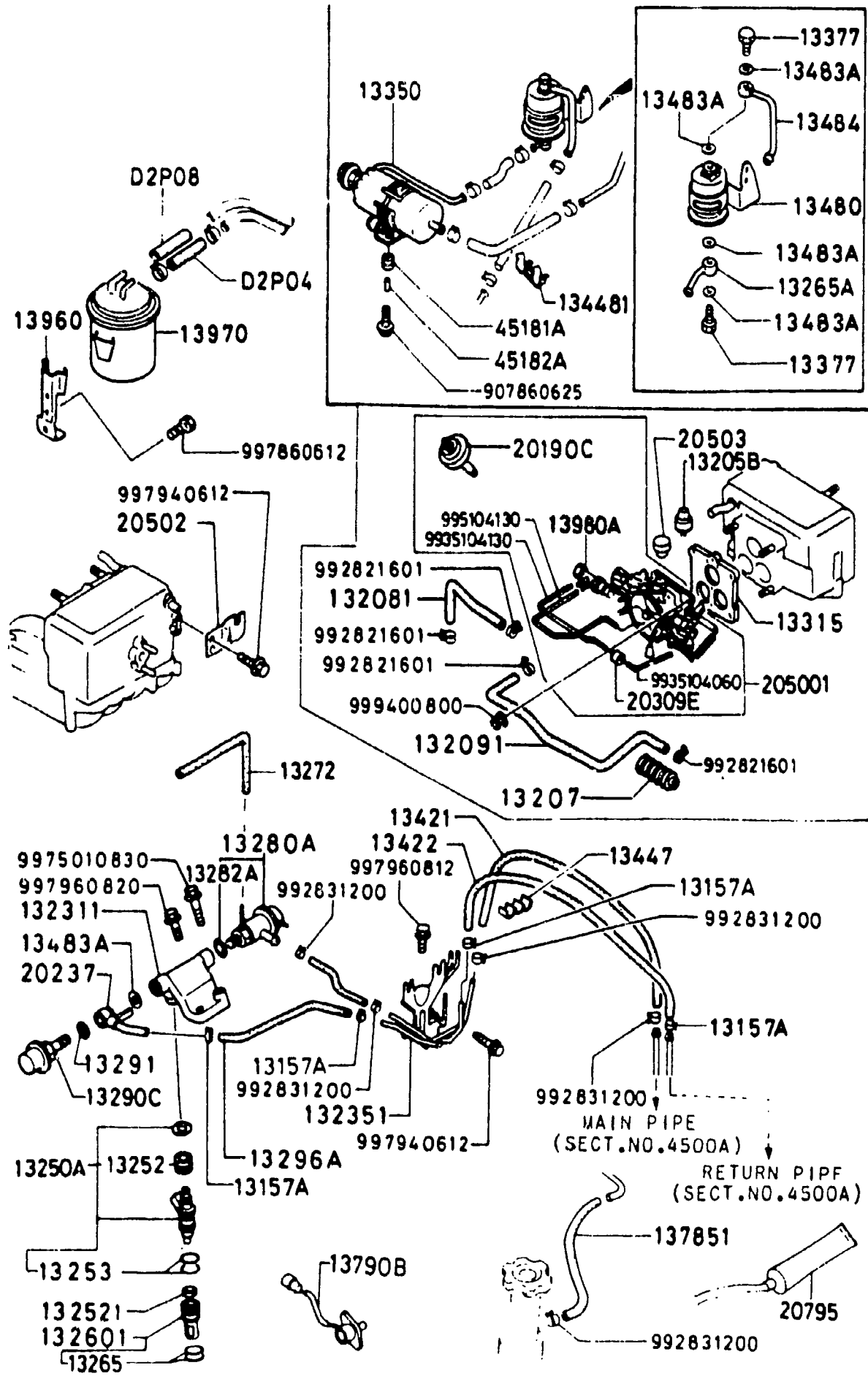
DRAWING LOCATION	SECT NO	SECTION NAME	DRAWING LOCATION	SECT NO	SECTION NAME	DRAWING LOCATION	SECT NO	SECTION NAME
1-C 3	1000A	SHORT ENGINE & GASKET SETS	1-C 6	1710A	TRANSMISSION GEARS (MANUAL)			
1-D 3	1030A	ROTOR HOUSING	1-G 6	1720A	CHANGE CONTROLS (MANUAL)			
1-E 3	1040A	OIL PAN FRONT & REAR HOUSING	1-H 6	1800A	ENGINE ELECTRICAL SYSTEM			
1-G 3	1100A	ECCENTRIC SHAFT & FLYWHEEL	1-I 6	1820A	DISTRIBUTOR			
1-H 3	1110A	ROTOR & RELATED	1-J 6	1830A	ALTERNATOR			
1-I 3	1300A	INTAKE MANIFOLD (12A) (S.GS.GSU)	1-K 6	1840A	STARTER			
1-J 3	1300AA	INTAKE MANIFOLD (13B) (GSL-SE)	1-M 6	1850A	BATTERY & CABLES			
1-K 3	1310A	EXHAUST MANIFOLD (12A) (S.GS.GSU)	1-N 6	1910A	TORQUE CONVERTER, OIL PUMP & PIPING (AUTOMATIC)			
1-L 3	1310AA	EXHAUST MANIFOLD (13B) (GSL-SE)	1-C 7	1920A	TRANSMISSION CASE & MAIN CONTROLS (AUTOMATIC)			
1-M 3	1320A	FUEL SYSTEM (12A) (S.GS.GSU)	1-E 7	1930A	CLUTCH & PLANETARY GEAR (AUTOMATIC)			
1-C 4	1320AA	FUEL SYSTEM (13B) (GSL-SE)	1-G 7	1940A	LOW, REVERSE & GOVERNOR (AUTOMATIC)			
1-E 4	1230A	AIR CLEANER (12A) (S.GS.GSU)	1-H 7	1950A	MANUAL LINKAGE (AUTOMATIC)			
1-F 4	1330AA	AIR CLEANER (13B) (GSL-SE)	1-I 7	1960A	GASKET & SEAL KIT (AUTOMATIC)			
1-G 4	1350A	STARTING ASSIST SYSTEM (12A) (S.GS.GSU) (FEDERAL ONLY)						
1-H 4	1350AA	STARTING ASSIST SYSTEM (13B) (GSL-SE) (FEDERAL ONLY)						
1-I 4	1359A	CARBURETOR & REPAIR KIT (12A) (S.GS.GSU)						
1-J 4	1360A	CARBURETOR COMPONENTS (12A) (S.GS.GSU)						
1-L 4	1371A	AIR PUMP & AIR CONTROL VALVE (12A) (S.GS.GSU)						
1-M 4	1371AA	AIR PUMP & AIR CONTROL VALVE (13B) (GSL-SE)						
1-N 4	1380A	EMISSION CONTROLS (12A) (S.GS.GSU)						
1-C 5	1380AA	EXHAUST SIDE EMISSION CONTROLS (13B) (GSL-SE)						
1-E 5	1400A	OIL PUMP & FILTER (12A) (S.GS.GSU)						
1-F 5	1400AA	OIL PUMP & FILTER (13B) (GSL-SE)						
1-H 5	1500A	COOLING SYSTEM (12A) (S.GS.GSU)						
1-I 5	1500AA	COOLING SYSTEM (13B) (GSL-SE)						
1-K 5	1580A	COMPRESSOR BRACKET PULLEY & BELT						
1-L 5	1600A	CLUTCH DISC & COVER						
1-M 5	1700A	TRANSMISSION CASE (MANUAL)						

1320AA-1 FUEL SYSTEM (13B) (GSL-SE)



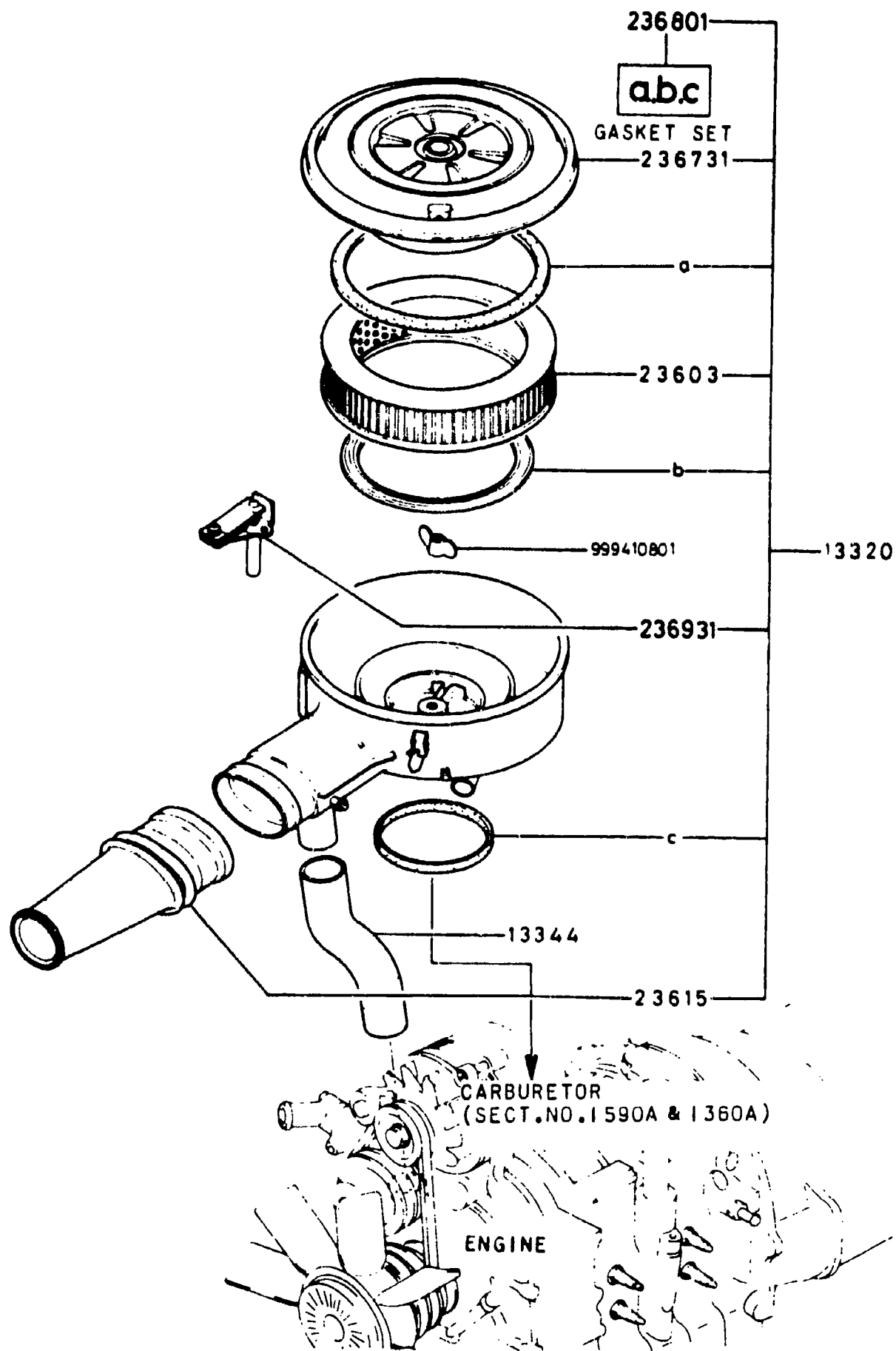
ITEM NO.	D-CODE	DESCRIPTION	PART NO	QTY	MODEL/DESCRIPTION	REMARKS
13 157A		CLIP	8574-13-157	6		
13 205B		CAP, IDLE SWITCH	1481-13-205C	1		
13 207		PROTECTOR, WATER HOSE	HE21-13-428	1		
13 2081		HOSE, WATER INLET	N304-13-208A	1		
13 2091		HOSE, WATER OUTLET	N304-13-209	1		
13 2311		PIPE, DELIVERY	N253-13-231	1		
13 2351		PIPE, FUEL	N304-13-235D	1		
13 250A		INJECTOR, FUEL	N304-13-250	2		
13 252		GROMMET	8574-13-252	2		
13 2521		INSERT, RUBBER	N236-13-252	2		
13 253		O-RING	8574-13-253	2		
13 2601		SOCKET, AIR BLEED	N305-13-260	2		
13 265		O-RING	9954-10-1252	4		
13 265A		CONNECTOR, FUEL	N304-13-481B	1		
13 272		HOSE, FUEL	9935-80-8999	1	BULK QTY THRU FEB '84 PROD.	FB33* ..80001-823267
			N304-13-272	1	FORMED HOSE FROM MAR '84 PROD.	FB33* ..823268-
13 280		REGULATOR, FUEL PRESSURE	N253-13-280	1		
13 282A		O-RING	N253-13-282	1		
13 290C		DAMPER, PULSATION	N304-13-230	1		
13 291		GASKET	N304-13-291	1		
13 296A		HOSE, FUEL	N326-13-416	1		
13 315		INSULATOR	N304-13-220B	1		
13 350		PUMP, FUEL	N304-13-350C	1		
13 377		BOLT, CONNECTOR	N236-13-482	2		
13 421		HOSE, FUEL MAIN	N304-13-420	1		
13 422		HOSE, FUEL RETURN	N304-13-276C	1		
13 447		CLIP	N304-13-447	1		
13 4481		CLIP	N304-13-448	1		
13 480		FILTER, FUEL	N304-13-480	1		
13 483A		GASKET	N236-13-483	5		
13 484		CONNECTOR, FUEL FILTER	N304-13-484	1		
13 7851		HOSE, VENTILATION	N304-13-785A	1		
13 790B		RESISTOR, VARIABLE	N236-13-790B	1		
13 960		BRACKET, CANISTER	N304-20-611A	1		
13 970		CANISTER	N231-20-610	1		
13 980A		VALVE THERMO	N304-13-980A	1		
20 190C		DASH POT	8341-13-215	1		
20 237		CONNECTOR FUEL	N304-20-237A	1		
20 309E		VALVE DELAY	HE01-20-309	1		

**1320AA-2 FUEL SYSTEM
(13B) (GSL-SE)**



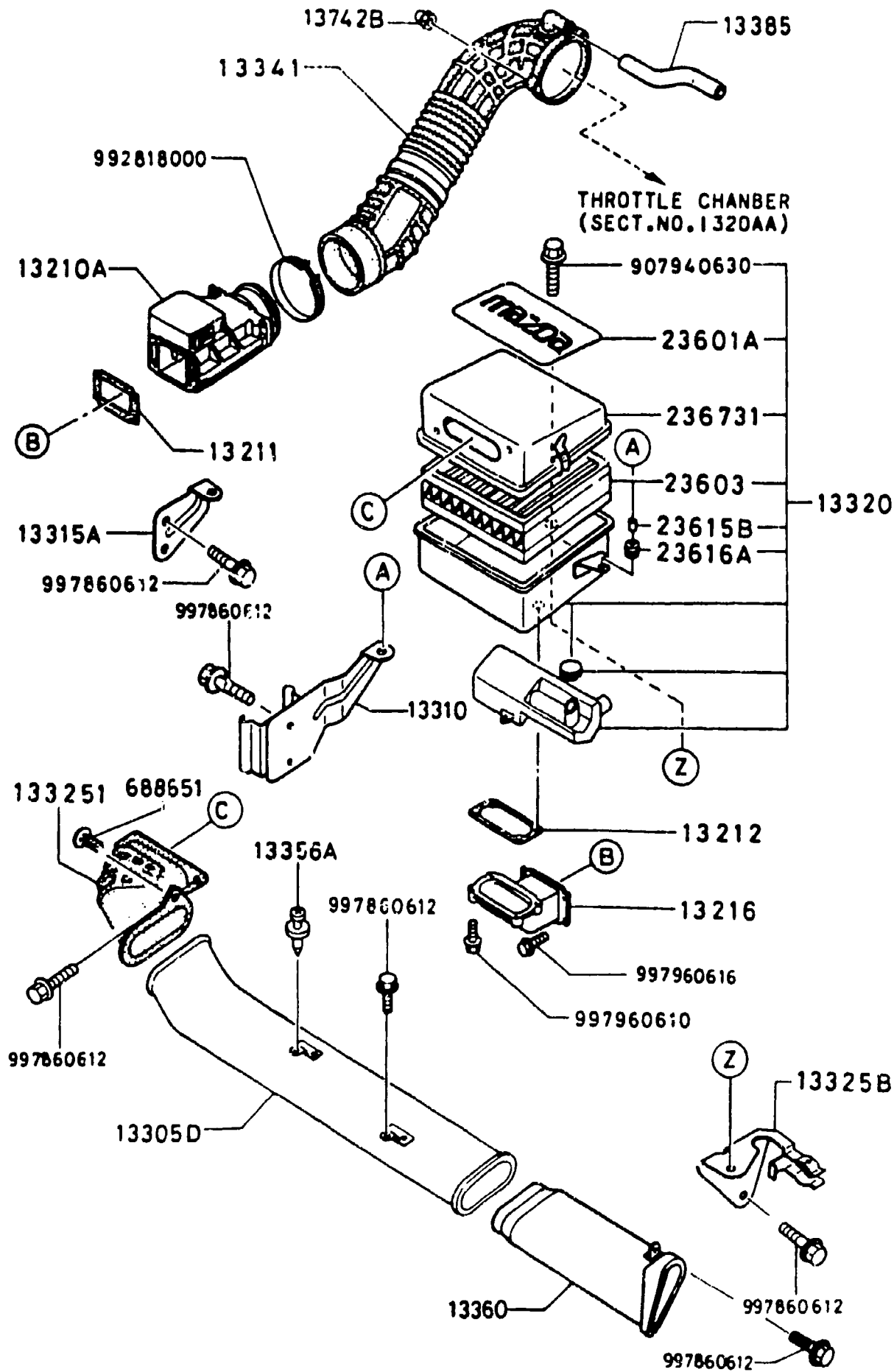
ITEM NO.	D-CODE	DESCRIPTION	PART NO	QTY	MODEL/DESCRIPTION	REMARKS
20 5001		CHAMBER, THROTTLE	N304-20-500B	1		
20 502		BRACKET	N304-20-502A	1		
20 503		CAP, AIR ADJUST	N304-20-503A	1	THRU JUN '84 PROD.	FB33" ..800001-856208
45 181A		RUBBER, MOUNTING	FA23-45-181	2		
45 182A		SPACER	FA23-45-182	2		
D2 P04		HOSE, AIR	9935-10-4999	1	BULK QTY	
D2 P08		HOSE, AIR	9935-10-8999	1	BULK QTY	

**1330A-1 AIR CLEANER
(12A) (S,GS,GSL)**



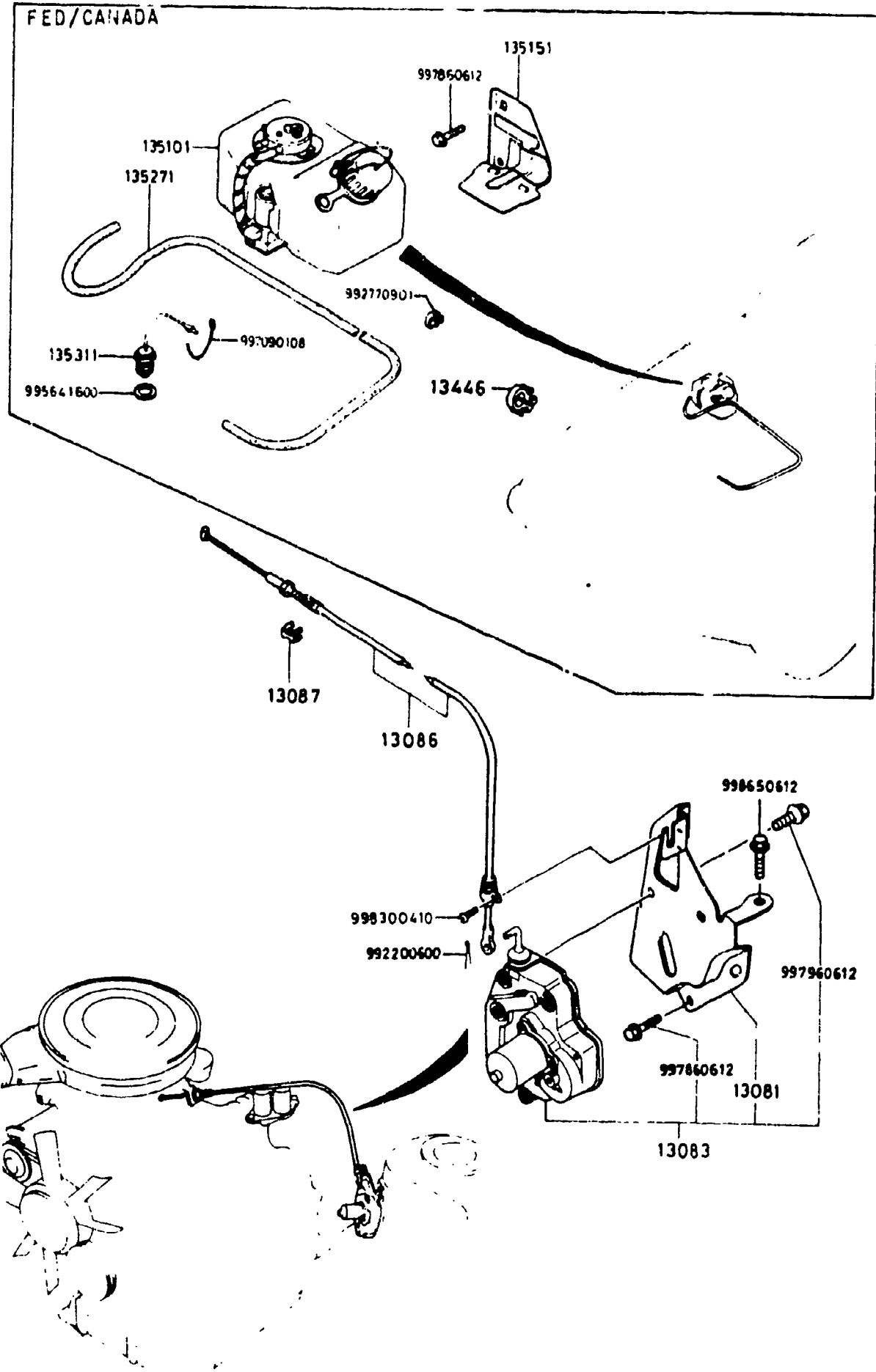
ITEM NO.	D-CODE	DESCRIPTION	PART NO.	QTY	MODEL/DESCRIPTION	REMARKS
	13 320	CLEANER, AIR	N249-13-300A	1		
	13 344	HOSE, HOT AIR	8871-13-341A	1		
	23 603	ELEMENT, AIR CLEANER	8341-23-672	1		
	23 615	PIPE, AIR INTAKE	1757-13-351A	1		
	23 6731	COVER	8245-23-673	1		
	23 6801	GASKET SET	1757-23-680	1		
	23 6931	COMPENSATOR	3648-23-693A	1		

**1330AA-1 AIR CLEANER
(13B) (GSL-SE)**



ITEM NO.	D-CODE	DESCRIPTION	PART NO.	QTY	MODEL/DESCRIPTION	REMARKS
13 210A		METER, AIR FLOW	N304-13-210	1		
13 211		GASKET	N236-13-211	1		
13 212		GASKET	N304-13-212	1		
13 216		ADAPTER, AIR FLOW	N304-13-215	1		
13 305D		DUCT, AIR	N304-13-351A	1		
13 310		BRACKET, AIR CLEANER	FA66-56-360	1		
13 315A		BRACKET, AIR CLEANER	N304-13-315A	1		
13 320		CLEANER, AIR	N304-13-300B	1		
13 3251		DUCT, AIR	N304-13-353A	1		
13 325B		BRACKET, AIR CLEANER	N304-13-320B	1		
13 341		FUNNEL, AIR	N304-13-740C	1		
13 356A		RIVET	N304-13-356B	1		
13 360		DUCT, AIR	N304-13-352	1	FROM AUG '84 PROD.	FB33* ..856209-
13 385		HOSE, AIR	N304-13-773	1		
13 742B		NUT, CAP	N236-13-742	2		
23 601A		SEAL, ORNAMENT	N304-23-301	1		
23 603		ELEMENT, AIR CLEANER	N236-23-672	1		
23 615B		COLLAR	1372-23-615	3		
23 616A		INSULATOR	1372-23-616	3		
23 6731		COVER	N304-23-673	1		
68 8651		FASTENER, AIR DUCT BLACK	S049-68-865 00	1		

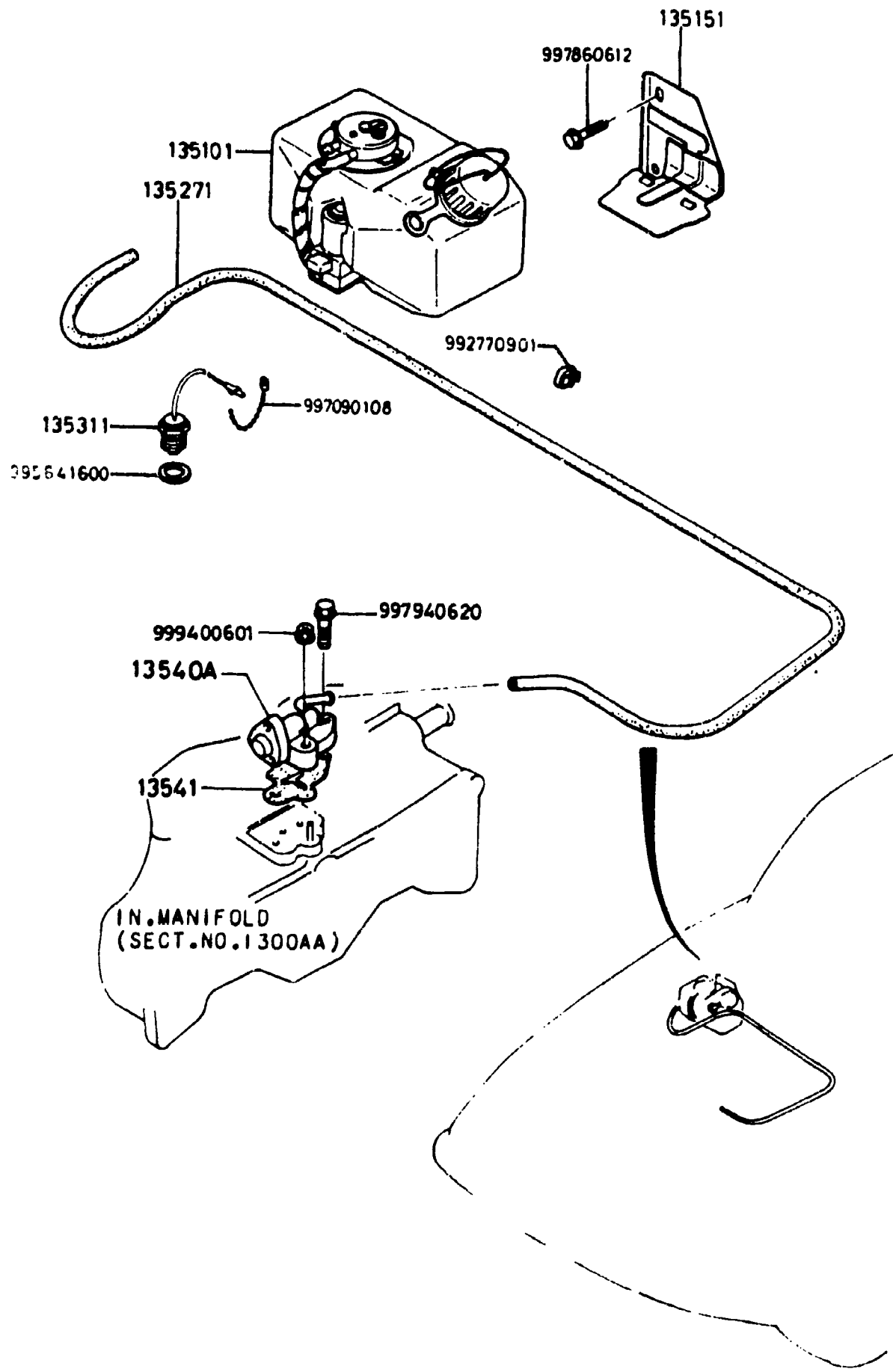
**1350A-1 STARTING ASSIST SYSTEM
(12A) (S,GS,GSL) (FEDERAL ONLY)**



ITEM NO.	D-CODE	DESCRIPTION	PART NO.	QTY	MODEL/DESCRIPTION	REMARKS
13 081		BRACKET	N229-13-081	1		
13 083		MOTOR	N229-13-085	1		
13 086		WIRE	N225-13-086A	1		
13 087		SPRING	8871-13-087A	2		
13 446		CLIP	N231-13-446	1		
13 5101		TANK, STARTING FLUID	1881-13-510G	1		
13 5151		BRACKET, TANK	1757-13-515A	1		
13 5271		HOSE	8871-13-527	1		
13 5311		THERMO UNIT	8712-13-531	1		

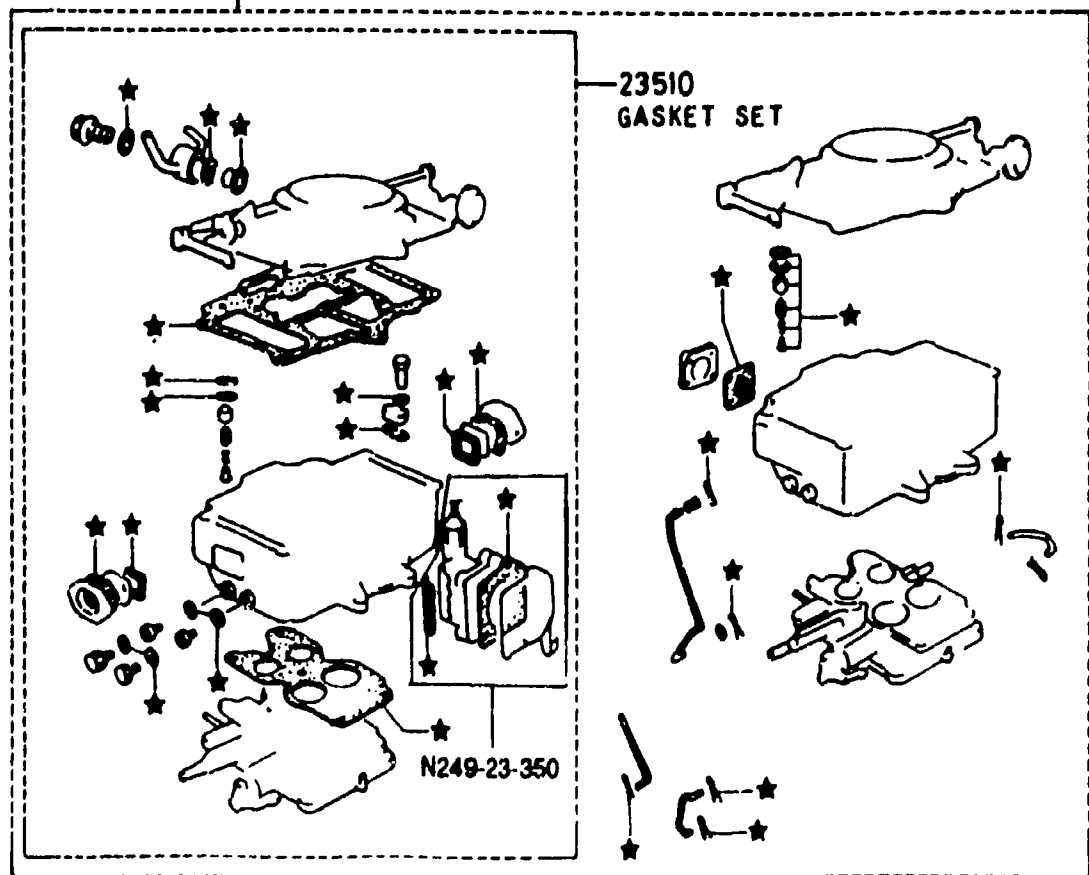
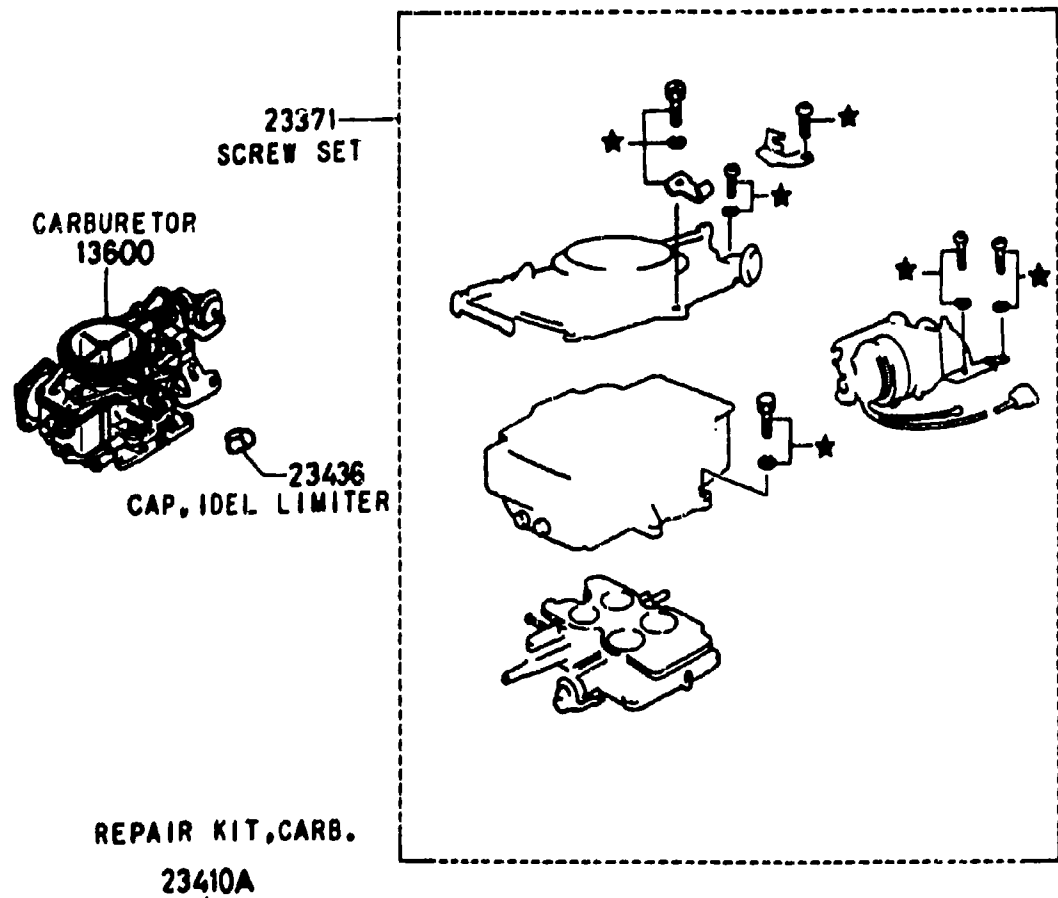
**1350AA-1 STARTING ASSIST SYSTEM
(13B) (GSL-SE) (FEDERAL ONLY)**

FED/CANADA



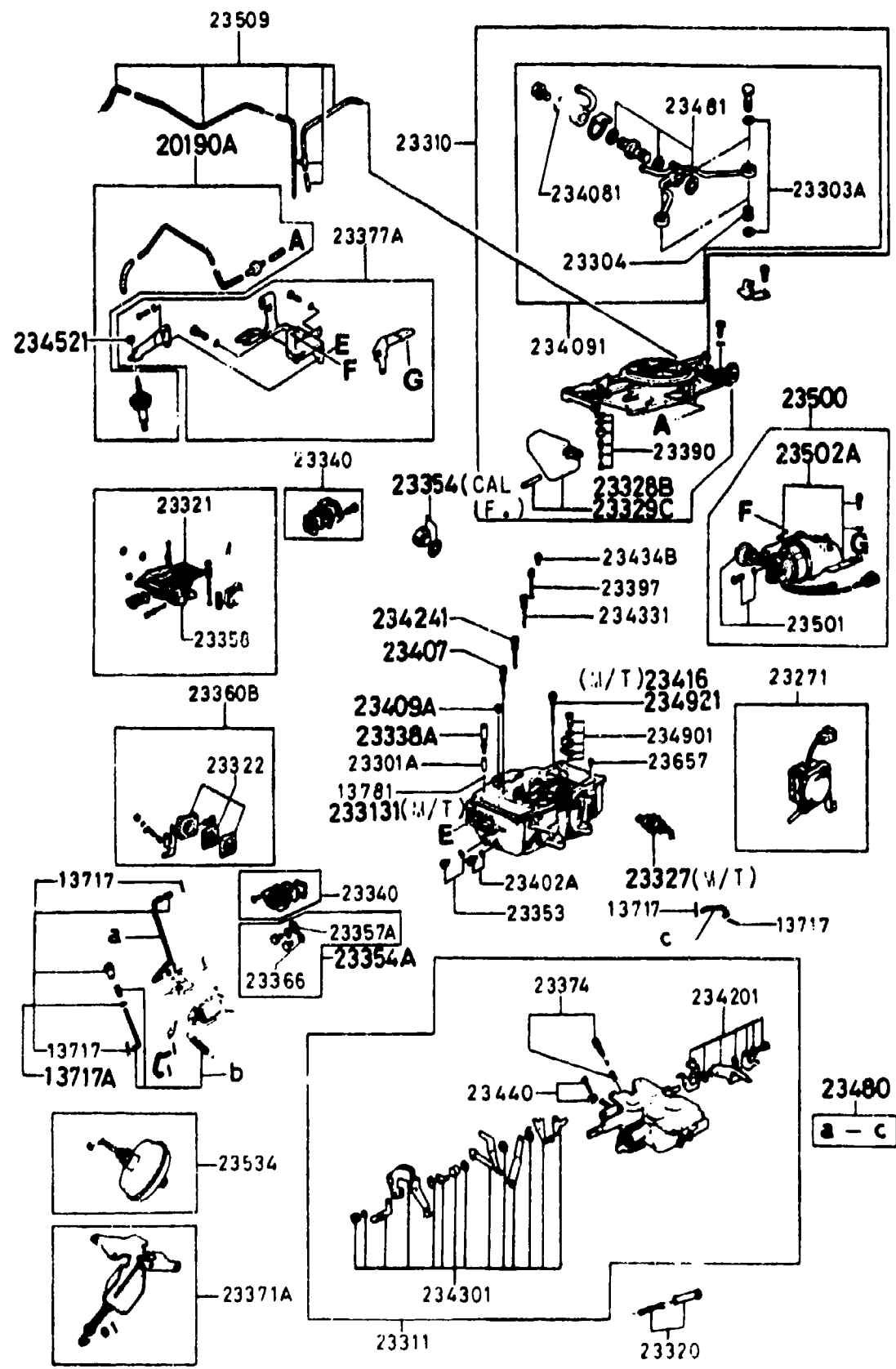
ITEM NO.	D. CODE	DESCRIPTION	PART NO.	QTY	MODEL/DESCRIPTION	REMARKS
13 51J1		TANK, STARTING FLUID	1881-13-510G	1		
13 5151		BRACKET, TANK	1757-13-515A	1		
13 5271		HOSE	N304-13-527A	1		
13 5311		THERMO UNIT	8712-13-531	1		
13 540A		VALVE, STARTING FLUID	N304-13-540C	1		
13 541		GASKET	N326-13-A66	1		

**1359A-1 CARBURETOR & REPAIR KIT
(12A) (S,GS,GSL)**



ITEM NO.	D-CODE	DESCRIPTION	PART NO.	QTY	MODEL/DESCRIPTION	REMARKS
13 600		CARBURETOR	N249-13-200F	1	FED M/T	
			N250-13-200E	1	FED A/T	
			N251-13-200F	1	CAL. M/T	
			N252-13-200E	1	CAL. A/T	
23 371		SCREW SET	N201-23-652	1		
23 410A		REPAIR KIT, CARBURETOR	N249-99-131	1		
23 436		CAP, IDLE LIMITER	N201-13-205	1		
23 510		GASKET SET	N201-23-510	1		

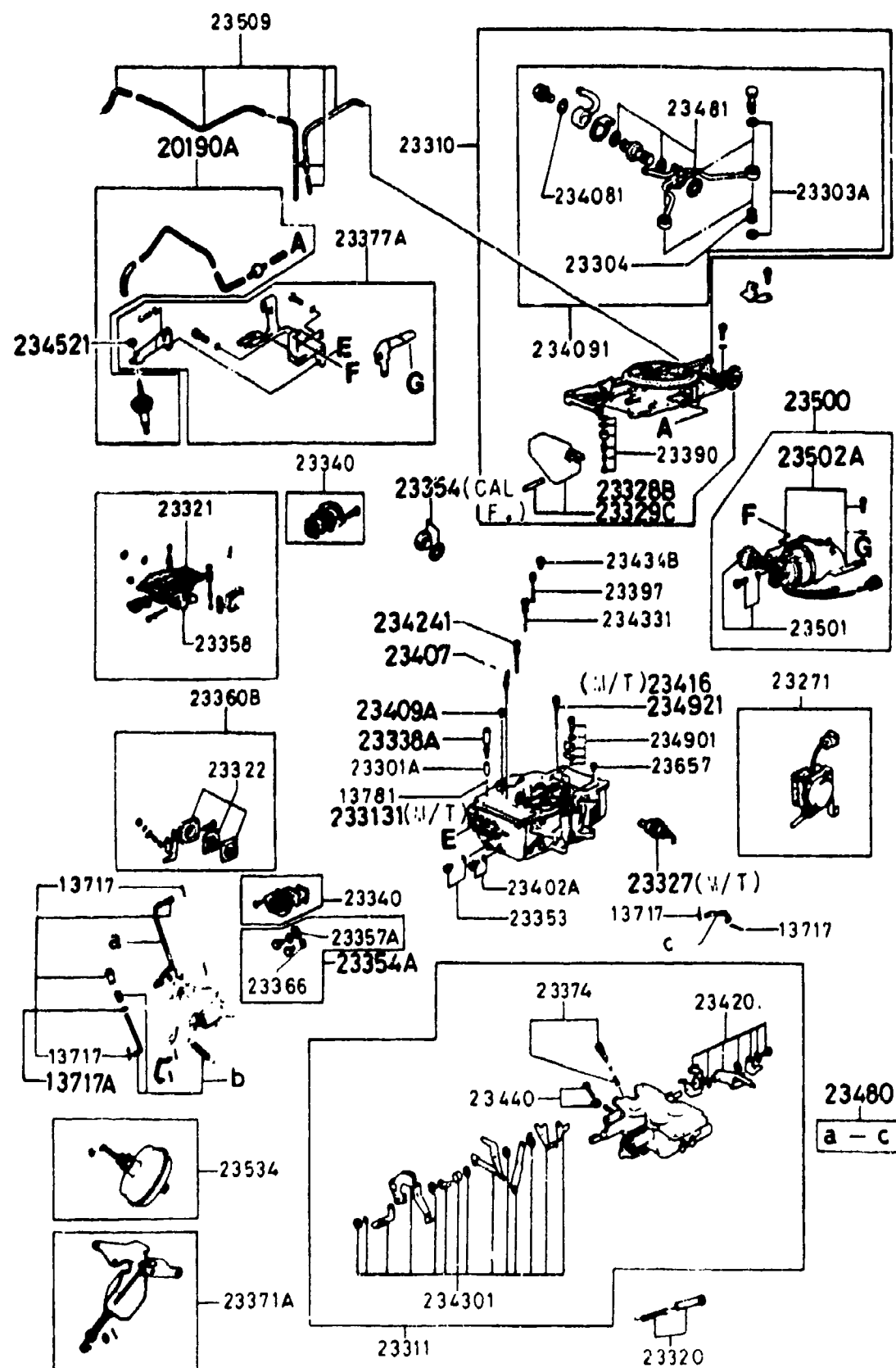
**1360A-1 CARBURETOR COMPONENTS
(12A) (S.GS.GSL)**



ITEM NO.	D-CODE	DESCRIPTION	PART NO.	QTY	MODEL/DESCRIPTION	REMARKS	
		13 717	PIN, COTTER	1663-23-392	7		
		13 717A	PIN & WASHER SET	8871-23-530	1		
		13 781	BALL, STEEL	0107-13-781	1		
		20 190A	DASH POT	8341-13-215	1		
		23 271	CHAMBER SET, DIAPHRAGM	N249-23-350	1		
		23 301A	WEIGHT, PUMP	3743-23-488	1		
		23 303A	GASKET	0730-23-318	4		
		23 304	STRAINER	8871-23-401	2		
		23 310	HORN, AIR	N249-23-310	1		
		23 311	CHAMBER, THROTTLE	N249-23-330	1	M/T	
				N250-23-330	1	A/T	
		23 3131	SPACER	N249-23-313	1	M/T	
		23 320	SPRING SET, RETURN	N201-23-380	1		
		23 321	GASKET, FLOAT CHAMBER	N201-23-327	1		
		23 322	DIAPHRAGM, CARBURETOR	N201-23-361	1		
		23 327	VALVE, SOLENOID-A.V.	N249-23-326	1	M/T	
		23 328B	FLOAT SET, FRONT	N201-23-328	1		
		23 329C	FLOAT SET, REAR	N201-23-329	1		
		23 338A	SHEET, CHECK VALVE	8826-23-338	1		
		23 340	COVER SET, LEV. GAUGE	3743-23-340	2		
		23 353	JET SET, MAIN 1ST	1955-23-421	2	M/T	
				N202-23-421	2	A/T	
		23 354	PLUG SET	1570-23-507	1	FED	
				2183-23-508	1	CAL.	
		23 354A	PLUG, MAIN JET	8980-23-354	2		
		23 357A	CLAMP, MAIN JET PLUG	8980-23-357	2		
		23 358	GASKET, FLANGE	8341-23-349	1		
		23 360B	PUMP SET, ACCEL.	N201-23-360	1		
		23 366	WASHER	0305-23-356	4		
		23 371A	HOLDER SET, RETURN	N201-23-371	1		
		23 374	SCREW SET, IDLE ADJ.	N201-23-460	1		
		23 377A	BRACKET SET	N231-23-370	1		
		23 390	VALVE SET, FLOAT	N249-23-390	2		
		23 397	JET, STEP	N201-23-426	2		
		23 402A	JET SET, MAIN 2ND	0222-23-355B	2		
		23 407	JET SET, SLOW	3743-23-425	2		
		23 4081	WASHER	0823-23-402A	1		
		23 4091	CONNECTOR SET, FUEL	8871-23-409A	1		
		23 409A	JET, SLOW AIR BLEED	3744-23-391	2	A T	
				3824-23-409	2	M T	

* SEE SERVICE BULLETIN 014/85-CATEGORY 4 FOR CARBURETOR ALTITUDE COMPENSATOR VALVE INFORMATION

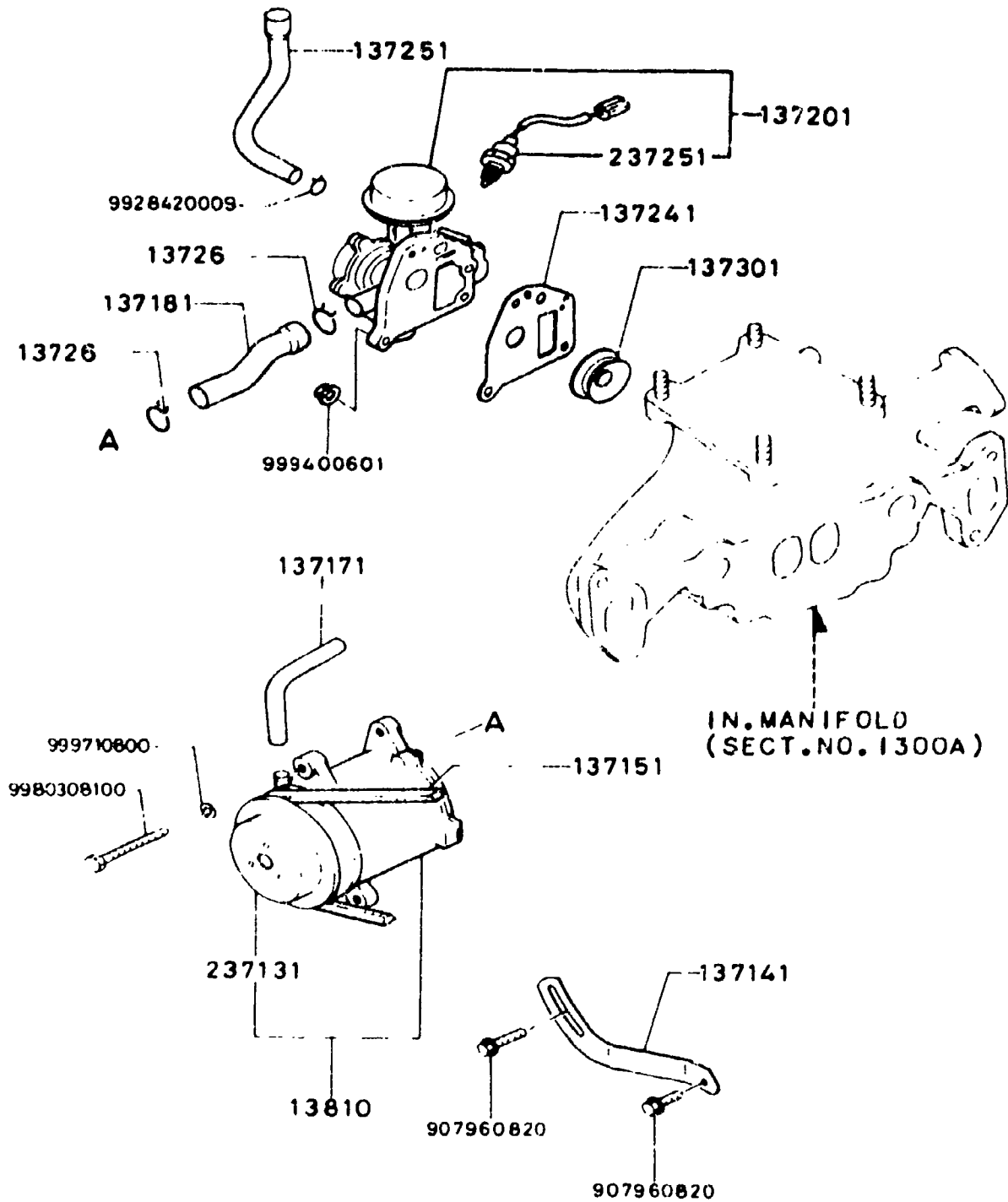
**1360A-2 CARBURETOR COMPONENTS
(12A) (S,GS,GSL)**



* SEE SERVICE BULLETIN 014/85-CATEGORY 4 FOR CARBURETOR ALTITUDE COMPENSATOR VALVE INFORMATION

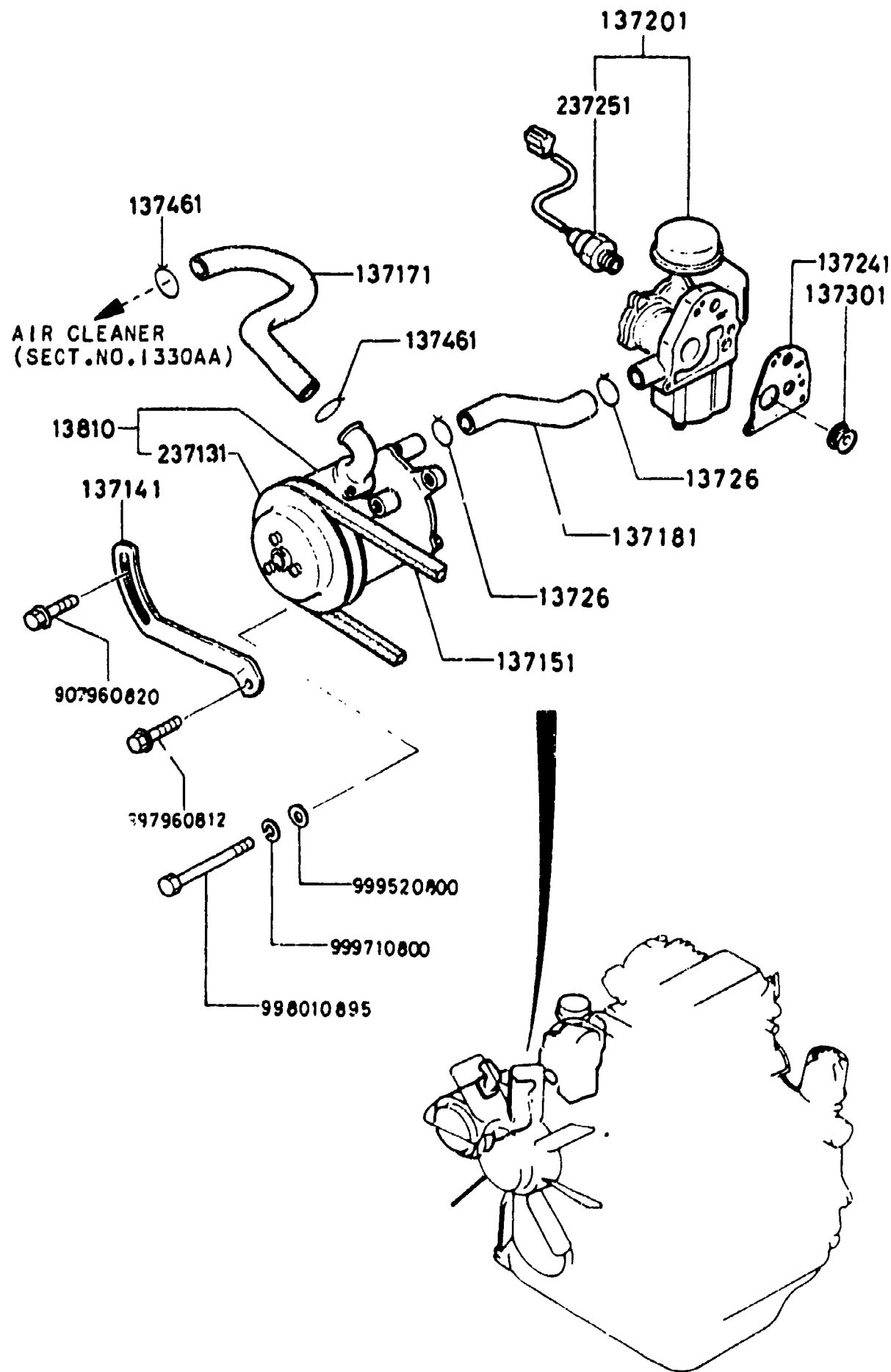
ITEM NO.	D-CODE	DESCRIPTION	PART NO.	QTY	MODEL/DESCRIPTION	REMARKS
23 416		JET, COASTING	N251-23-491	1	M/T	
23 4201		LEVER SET, FRONT	N231-23-420	1		
23 4241		JET, AIR BLEED 1ST	N201-23-423	2	M/T	
			N202-23-423	2	A/T	
23 4301		LEVER SET, REAR	N231-23-430	1		
23 4331		JET, AIR BLEED 2ND	8871-23-424	2		
23 4348		JET, SLOW AIR BLEED	8649-23-434	2		
23 440		SCREW SET, THROTTLE ADJUST	N201-23-440	1		
23 4521		NUT, HEX/ GON	2090-23-452	1		
23 480		ROD & LINK SET	N201-23-480	1		
23 481		GASKET	0823-23-394	3		
23 4901		NOZZLE SET, ACCEL.	N201-23-490	1		
23 4921		JET, AIR BLEED	N201-23-492	1		
23 500		CHOKE SET, SEMI AUTO	N201-23-500A	1	(# 1 CHOKE DIAPH.)	
23 501		HOLDER, BI-METAL	N201-23-501	1	(DIAPHRAGM NOT INCLUDED.)	
23 502A		CASE, THERMOSTAT	N201-23-502A	1		
23 509		PIPE SET, VACUUM	N201-23-509	1		
23 534		CHOKE SET, RETURN	N201-23-503	1	(# 2 CHOKE DIAPH.)	
23 657		PLUG, BLIND	0107-23-657	1	M/T	

1371A-1 AIR PUMP & AIR CONTROL VALVE (12A) (S,GS,GSL)



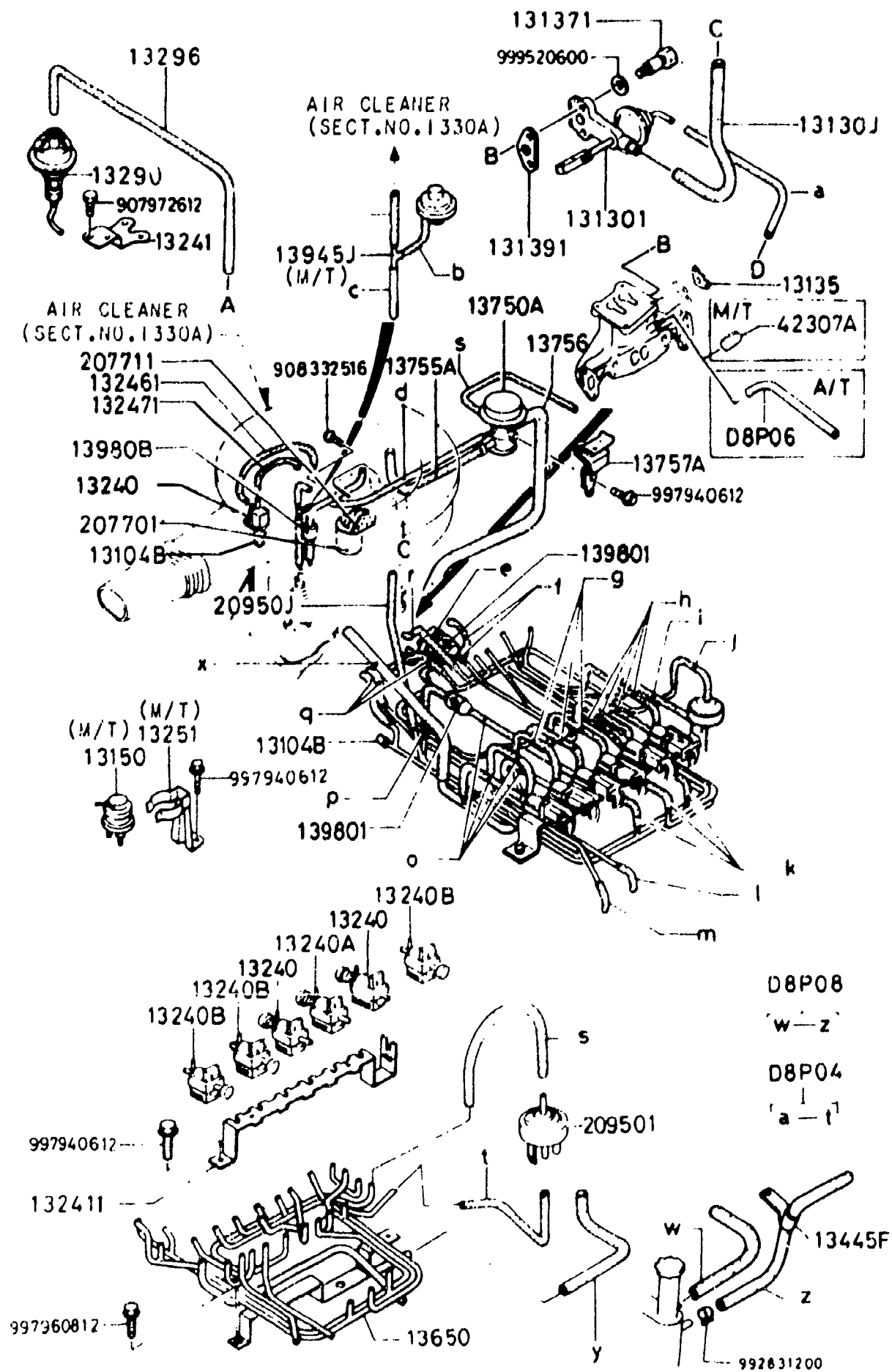
ITEM NO.	D-CODE	DESCRIPTION	PART NO	QTY	MODEL/DESCRIPTION	REMARKS
	13 7141	STRAP, AIR PUMP	1757-13-714	1		
	13 7151	BELT, AIR PUMP	1757-13-715	1		
	13 7171	HOSE, AIR	1757-13-717	1		
	13 7181	HOSE, AIR	1480-13-718A	1		
	13 7201	VALVE, AIR CONTROL	N249-13-720A	1	FED M/T THRU FEB '84 PROD.	FB33° ..800001-824686
			N249-13-720B	1	FED M/T FROM MAR '84 PROD.	FB33° ..824687-
			N250-13-720	1	FED A/T THRU FEB '84 PROD.	FB33° ..800001-824686
			N250-13-720A	1	FED A/T FROM MAR '84 PROD.	FB33° ..824687-
			N251-13-720A	1	CAL. M/T THRU FEB '84 PROD.	FB33° ..800001-824686
			N251-13-720B	1	CAL. M/T FROM MAR '84 PROD.	FB33° ..824687-
			N252-13-720	1	CAL. A/T THRU FEB '84 PROD.	FB33° ..800001-824686
			N252-13-720A	1	CAL. A/T FROM MAR '84 PROD.	FB33° ..824687-
		SEE SERVICE BULLETIN 002/84, CAT. 4 FOR MORE AIR CONTROL SYSTEM INFO				
	13 7241	GASKET, A/C VALVE	N201-13-724	1		
	13 7251	HOSE, AIR	N201-13-725	1		
	13 726	CLIP, AIR HOSE	1480-13-726	2		
	13 7301	VALVE, CHECK	1480-13-730	1	(INTAKE MANIFOLD)	
	13 810	PUMP, AIR	1757-13-710B	1		
	23 7131	PULLEY, AIR PUMP	1757-23-713A	1		
	23 7251	VALVE, AIR CONTROL SOLENOID	N249-20-725	1	(BLACK COUPLER)	
			N250-20-725	1	(BLACK COUPLER) FROM MAR '84 PROD.	FB33° ..824687-

**1371AA-1 AIR PUMP & AIR CONTROL VALVE
(13B) (GSL-SE)**



ITEM NO	D-CODE	DESCRIPTION	PART NO	QTY	MODEL/DESCRIPTION	REMARKS
13 7141		STRAP, AIR PUMP	N304-13-714A	1		
13 7151		BELT, AIR PUMP	N304-13-715	1		
13 7171		HOSE, AIR	N304-13-717A	1		
13 7181		HOSE, AIR	N304-13-718A	1		
13 7201		VALVE, AIR CONTROL	N304-13-720B	1		
13 7241		GASKET, A/C VALVE	N304-13-724A	1		
13 726		CLIP, AIR HOSE	N304-13-726	2		
13 7301		VALVE, CHECK	1480-13-730	1	(INTAKE MANIFOLD)	
13 7461		CLIP, AIR HOSE	1480-13-726	2		
13 810		PUMP, AIR	N304-13-710	1		
23 7131		PULLEY, AIR PUMP	N304-23-713	1		
23 7251		VALVE, AIR CONTROL SOLENOID	N304-20-725	1		
SEE SERVICE BULLETIN 011/35 CATEGORY 4 FOR MORE VALVE INFO.						

**1380A-1 EMISSION CONTROLS
(12A) (S,GS,GSL)**

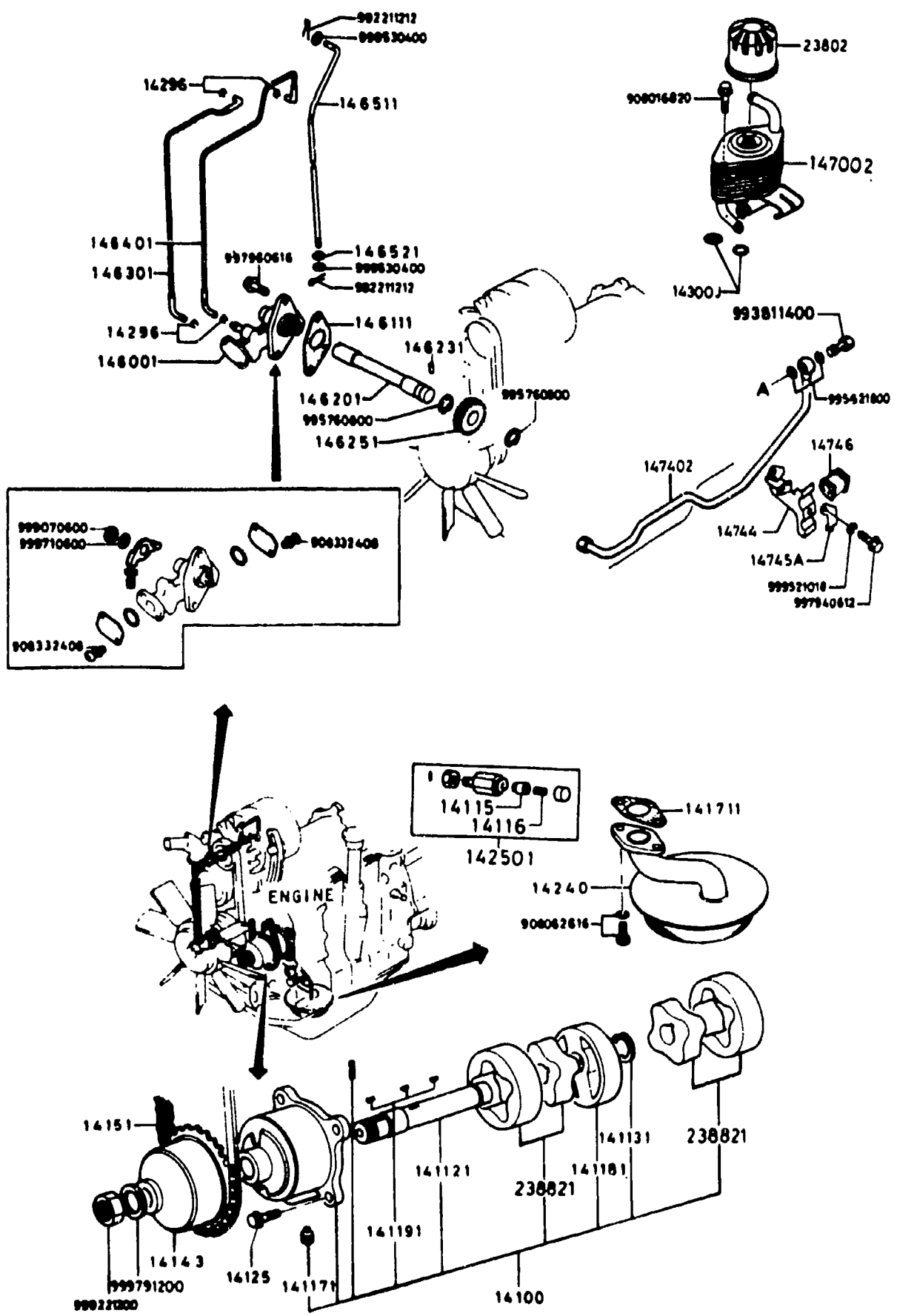


ITEM NO	D-CODE	DESCRIPTION	PART NO	QTY	MODEL/DESCRIPTION	REMARKS
13 104B		CAP	1010-13-104	3		
13 1301		DIAPHRAGM. SHUTTER VALVE	N238-13-130	1	(COASTING VALVE)	
13 130J		HOSE, AIR	1480-13-727A	1		
13 135		GASKET	N249-13-135A	1	M/T	
			N250-13-135	1	A/T	
13 1371		BOLT, REAMER	1480-13-137A	2		
13 1391		GASKET, SHUTTER VALVE	1480-13-139B	1	(COASTING VALVE)	
13 150		SWITCH, VACUUM	N249-13-150	1	M T	
13 240		VALVE, THREE-WAY	1480-13-240A	3	(MAIN AIR BLEED, SWITCHING, & RELIEF SOLENOID VALVE)	
13 240A		VALVE, THREE-WAY	1481-13-240A	1	(SHUTTER SOLENOID VALVE)	
13 240B		VALVE, THREE-WAY	1482-13-240A	3	(LEADING, TRAILING, & A.C. SOLENOID VALVE)	
13 241		BRACKET, ACTUATOR	8871-13-291A	1		
13 2411		BRACKET	N225-13-241A	1		
13 2461		HOSE, VACUUM	N249-13-246A	1		
13 2471		HOSE, VACUUM	N249-13-247A	1		
13 251		BRACKET	N249-13-255	1	M T	
13 290		ACTUATOR	3648-13-290	1	(THROTTLE OPENER)	
13 296		HOSE, AIR	8871-13-296B	1		
13 445F		CLIP	1480-13-445	1		
13 650		PIPE, VACUUM	N249-13-650B	1		
13 750A		VALVE, A.A	N201-13-750	1	(ANTI-AFTERBURN VALVE NO 1)	
13 755A		HOSE, AIR	N201-13-755	1		
13 756		HOSE, AIR	N201-13-756	1		
13 757A		BRACKET	N201-13-757A	1		
13 945J		TUBE VACUUM	1700-13-945A	1	M T	
13 980i		VALVE, DELAY	8574-20-309	2	(RELIEF SWITCHING VALVE)	
13 980B		VALVE DELAY	N231-13-980	1		
20 7701		VALVE, ALTITUDE COMPENSATOR	N249-20-770	1		
20 7711		GASKET	N201-20-771	1		
20 9501		VALVE, PURGE	1480-20-950A	1		
20 950J		HOSE AIR	N249-13-785A	1		
42 307A		CAP	0223-42-307	1	M T	
D8 P04		HOSE AIR	9935-10-4999		BULK QTY	
D8 P06		HOSE AIR	9935-10-6999		A T BULK QTY	
D8 P08		HOSE AIR	9935-10-8999		BULK QTY	

SECTION INDEX -- ENGINE

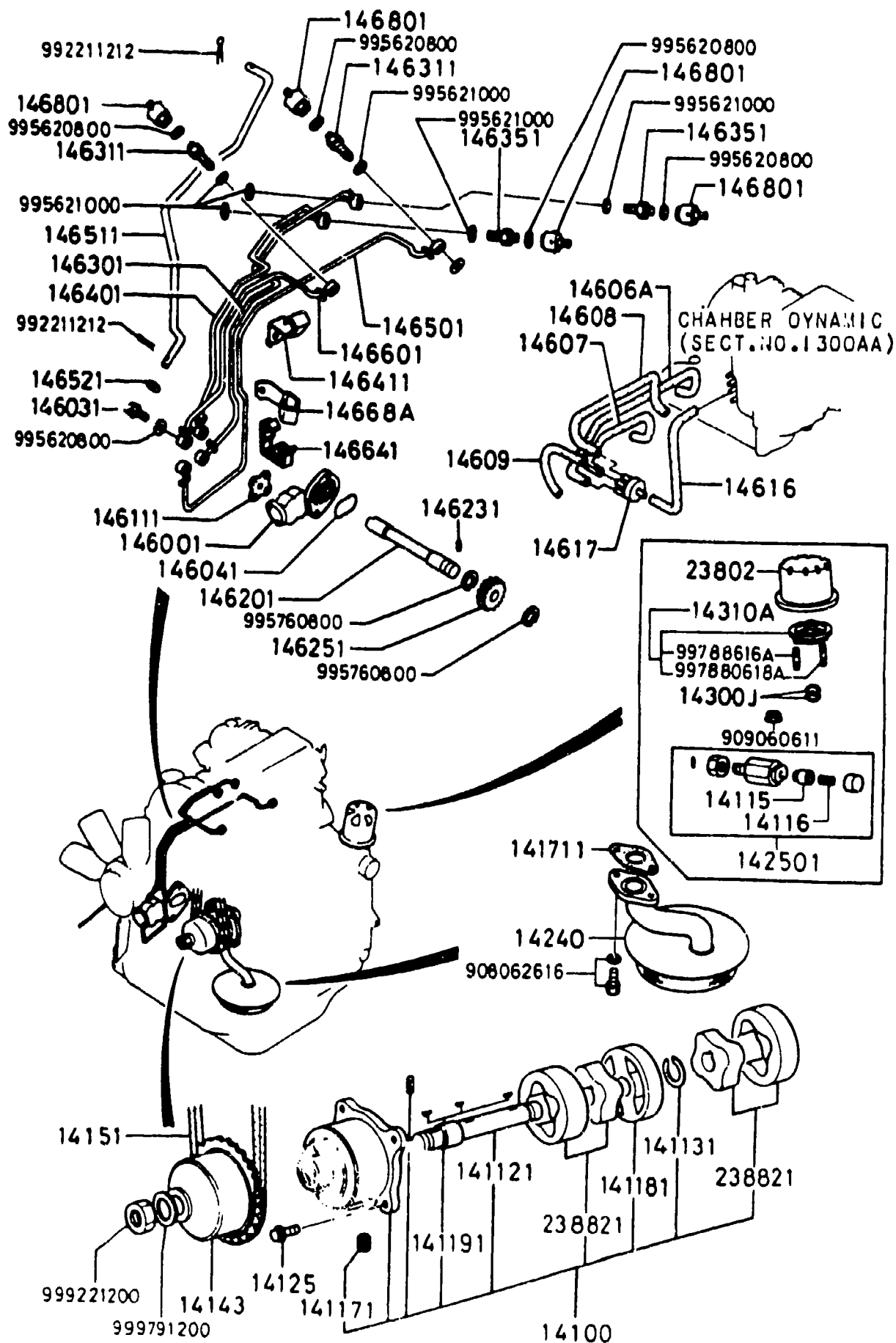
STAFFING LOCATION	SECT NO.	SECTION NAME	STAFFING LOCATION	SECT NO.	SECTION NAME	STAFFING LOCATION	SECT NO.	SECTION NAME
1 - C 3	1000A	SHORT ENGINE & GASKET SETS	1 - C 6	1710A	TRANSMISSION GEARS (MANUAL)			
1 - D 3	1030A	ROTOR HOUSING	1 - G 6	1720A	CHANGE CONTROLS (MANUAL)			
1 - E 3	1040A	OIL PAN, FRONT & REAR HOUSING	1 - H 6	1800A	ENGINE ELECTRICAL SYSTEM			
1 - G 3	1100A	ECCENTRIC SHAFT & FLYWHEEL	1 - I 6	1820A	DISTRIBUTOR			
1 - H 3	1110A	ROTOR & RELATED	1 - J 6	1830A	ALTERNATOR			
1 - I 3	1300A	INTAKE MANIFOLD (12A) (S.GS.GSL)	1 - K 6	1840A	STARTER			
1 - J 3	1300AA	INTAKE MANIFOLD (13B) (GSL-SE)	1 - M 6	1850A	BATTERY & CABLES			
1 - K 3	1310A	EXHAUST MANIFOLD (12A) (S.GS.GSL)	1 - N 6	1910A	TORQUE CONVERTER, OIL PUMP & PIPING (AUTOMATIC)			
1 - L 3	1310AA	EXHAUST MANIFOLD (13B) (GSL-SE)	1 - C 7	1920A	TRANSMISSION CASE & MAIN CONTROLS (AUTOMATIC)			
1 - M 3	1320A	FUEL SYSTEM (12A) (S.GS.GSL)	1 - E 7	1930A	CLUTCH & PLANETARY GEAR (AUTOMATIC)			
1 - C 4	1320AA	FUEL SYSTEM (13B) (GSL-SE)	1 - G 7	1940A	LOW, REVERSE & GOVERNOR (AUTOMATIC)			
1 - E 4	1330A	AIR CLEANER (12A) (S.GS.GSL)	1 - H 7	1950A	MANUAL LINKAGE (AUTOMATIC)			
1 - F 4	1330AA	AIR CLEANER (13B) (GSL-SE)	1 - I 7	1960A	GASKET & SEAL KIT (AUTOMATIC)			
1 - G 4	1350A	STARTING ASSIST SYSTEM (12A) (S.GS.GSL) (FEDERAL ONLY)						
1 - H 4	1350AA	STARTING ASSIST SYSTEM (13B) (GSL-SE) (FEDERAL ONLY)						
1 - I 4	1359A	CARBURETOR & REPAIR KIT (12A) (S.GS.GSL)						
1 - J 4	1360A	CARBURETOR COMPONENTS (12A) (S.GS.GSL)						
1 - L 4	1371A	AIR PUMP & AIR CONTROL VALVE (12A) (S.GS.GSL)						
1 - M 4	1371AA	AIR PUMP & AIR CONTROL VALVE (13B) (GSL-SE)						
1 - N 4	1380A	EMISSION CONTROLS (12A) (S.GS.GSL)						
1 - C 5	1380AA	EXHAUST SIDE EMISSION CONTROLS (13B) (GSL-SE)						
1 - E 5	1400A	OIL PUMP & FILTER (12A) (S.GS.GSL)						
1 - F 5	1400AA	OIL PUMP & FILTER (13B) (GSL-SE)						
1 - H 5	1500A	COOLING SYSTEM (12A) (S.GS.GSL)						
1 - I 5	1500AA	COOLING SYSTEM (13B) (GSL-SE)						
1 - K 5	1580A	COMPRESSOR BRACKET PULLEY & BELT						
1 - L 5	1600A	CLUTCH DISC & COVER						
1 - M 5	1700A	TRANSMISSION CASE (MANUAL)						

1400A-1 OIL PUMP & FILTER (12A) (S,GS,GSL)



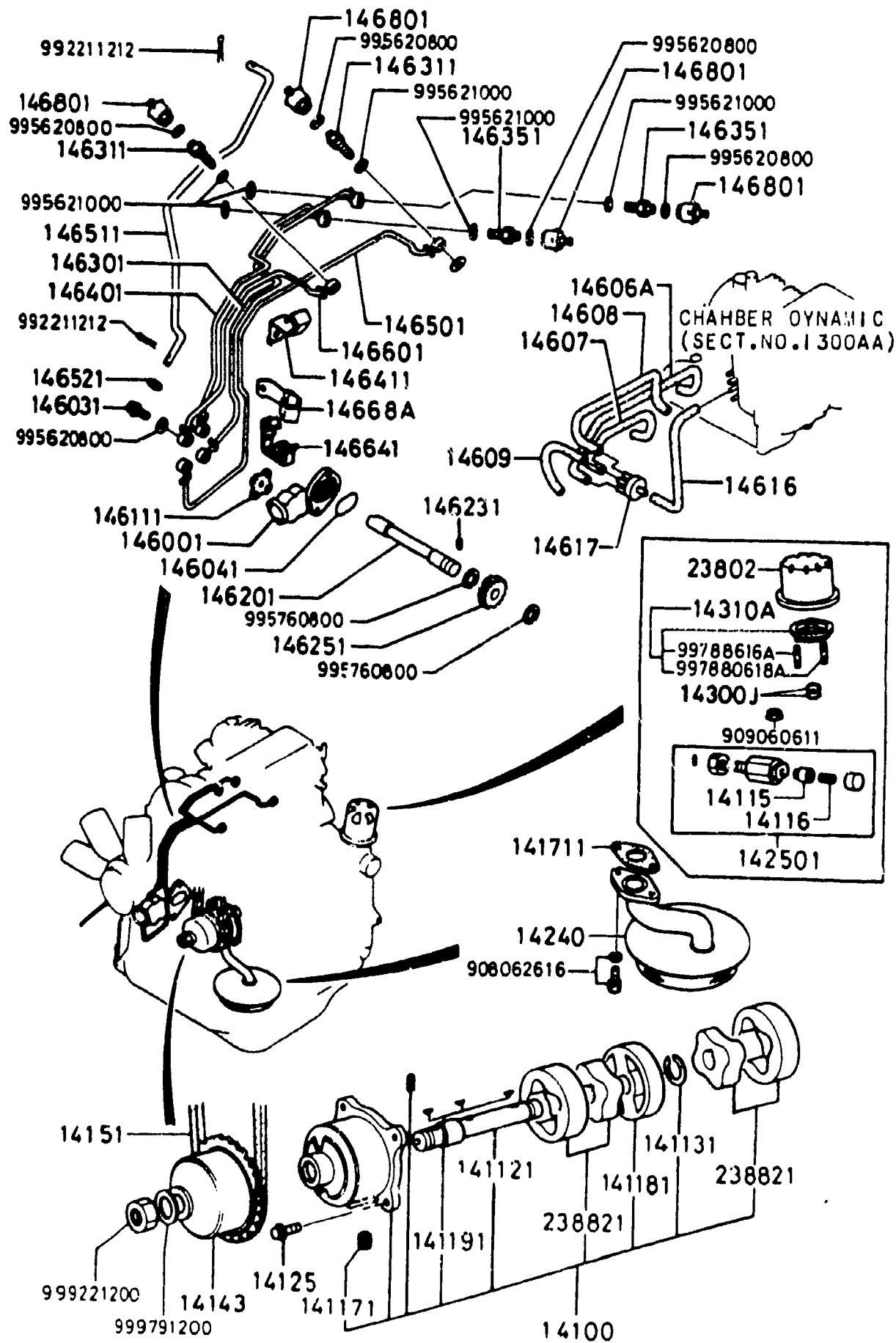
ITEM NO.	D-CODE	DESCRIPTION	PART NO.	QTY	MODEL/DESCRIPTION	REMARKS
14 100		PUMP, OIL	8553-14-100	1		
14 1121		SHAFT, OIL PUMP	8553-14-112	1		
14 1131		RING, SNAP	0810-14-113	1		
14 115		PLUNGER, CONTROL	0221-14-115	1		
14 116		SPRING, PRESSURE	0221-14-116	1		
14 1171		BOLT, LOCK	0839-14-117	1		
14 1181		PLATE, MIDDLE	8553-14-118	1		
14 1191		KEY	0839-14-119B	3		
14 125		BOLT, SET	8553-14-125	4		
14 143		WHEEL, SPROCKET	0839-14-141A	1		
14 151		CHAIN, OIL PUMP	0839-14-142	1		
14 1711		GASKET, OIL STRAINER	0810-14-171A	4		
14 240		STRAINER, OIL	8871-14-160	1		
14 2501		REGULATOR, PRESSURE	3648-14-250	1		
14 296		CLIP, OIL TUBE	0730-14-296	4		
14 300J		O-RING	9954-10-1601	2		
14 6001		PUMP, METERING OIL	N249-14-600	1		
14 6111		GASKET, METERING OIL	1757-14-611	1		
14 6201		SHAFT, DRIVEN GEAR	0820-14-620A	1		
14 6231		PIN, DRIVEN GEAR	0813-14-623	1		
14 6251		GEAR, DRIVEN	0820-14-625A	1		
14 6301		TUBE, METERING OIL	8871-14-660B	1		
14 6401		TUBE, METERING OIL	8871-14-670B	1		
14 6511		ROD, CONNECTING	N225-14-651	1		
14 6521		SHIM, ADJUST	1757-14-652	1		
14 7002		COOLER, OIL	N231-14-700C	1		
14 7402		PIPE, OIL COOLER	N231-14-720B	1		
14 744		BRACKET, OIL PIPE	N231-14-744B	1		
14 745A		CLIP, OIL PIPE	N231-14-745B	1		
14 746		PROTECTOR	N231-14-746	1		
23 802		CARTRIDGE, OIL FILTER	N3Y6-14-302	1		
		REFER TO PARTS BULL. NOS. T-1-7 & T-1-8 FOR MORE INFO.				
		<AN>	86Y1-14-302	1		
23 8821		ROTOR SET, OIL PUMP	8553-14-110	2		

**1400AA-1 OIL PUMP & FILTER
(13B) (GSL-SE)**



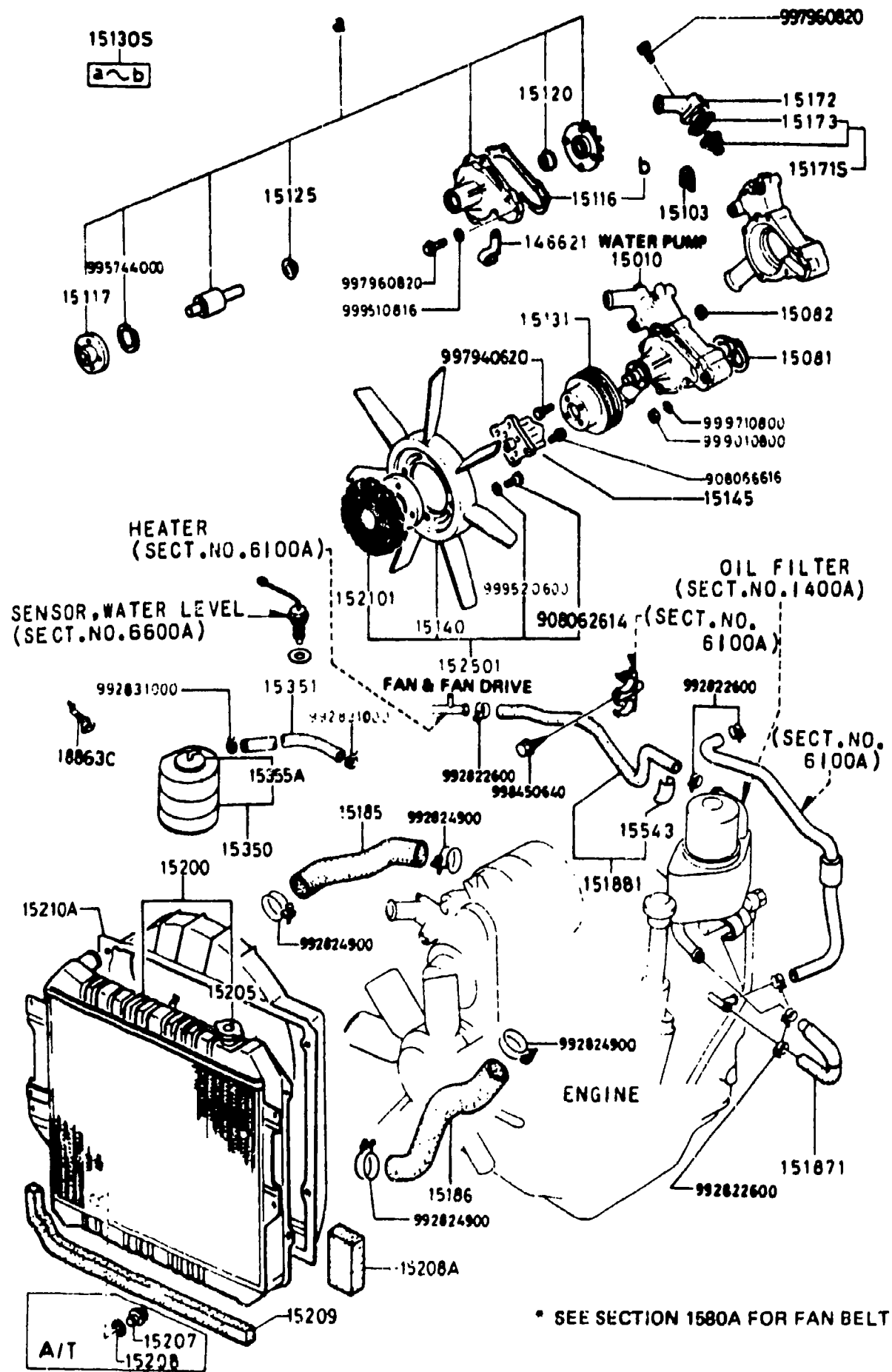
ITEM NO.	D-CODE	DESCRIPTION	PART NO.	QTY	MODEL/DESCRIPTION	REMARKS
14 100		PUMP, OIL	8553-14-100	1		
14 1121		SHAFT, OIL PUMP	8553-14-112	1		
14 1131		RING, SNAP	0810-14-113	1		
14 115		PLUNGER, CONTROL	0221-14-115	1		
14 116		SPRING, PRESSURE	0221-14-116	1		
14 1171		BOLT, LOCK	0839-14-117	1		
14 1181		PLATE, MIDDLE	8553-14-118	1		
14 1191		KEY	0839-14-119B	3		
14 125		BOLT, SET	8553-14-125	4		
14 143		WHEEL, SPROCKET	0839-14-141A	1		
14 151		CHAIN, OIL PUMP	0839-14-142	1		
14 1711		GASKET, OIL STRAINER	0810-14-171A	1		
14 240		STRAINER, OIL	8871-14-160	1		
14 2501		REGULATOR, PRESSURE	3648-14-250	1		
14 300J		O-RING	9954-10-1601	2		
14 310A		BODY, OIL FILTER	8341-14-310	1		
14 6001		PUMP, METERING OIL	N246-14-600	1		
14 6031		BOLT, CONNECTOR	N236-14-603B	4		
14 6041		O-RING	N236-14-604	1		
14 606A		TUBE NO. 1, AIR	N304-14-606	1		
14 607		TUBE NO. 2, AIR	N304-14-607	1		
14 608		TUBE NO. 3, AIR	N304-14-608	1		
14 609		TUBE NO. 4, AIR	N304-14-609	1		
14 6111		GASKET, METERING OIL	N236-14-602A	1		
14 616		TUBE, AIR INLET	N304-14-616	1		
14 617		CONNECTOR, AIR TUBE	N304-14-617A	1		
14 6201		SHAFT, DRIVEN GEAR	0820-14-620A	1		
14 6231		PIN, DRIVEN GEAR	0813-14-623	1		
14 6251		GEAR, DRIVEN	0820-14-625A	1		
14 6301		TUBE, METERING OIL	N304-14-660A	1		
14 6311		BOLT, CONNECTOR	N304-14-631	2		
14 6351		BOLT, CONNECTOR	N236-14-635A	2		
14 6401		TUBE, METERING OIL	N304-14-670A	1		
14 6411		CLIP, OIL TUBE	N304-14-667C	1		
14 6501		TUBE, METERING OIL	N304-14-680B	1		
14 6511		ROD, CONNECTING	N304-14-651C	1		
14 6521		SHIM, ADJUST	N236-14-652A	1	(T=1.0)	
			N236-14-653	2	(T=0.5)	
14 6601		TUBE, METERING OIL	N304-14-690A	1		
14 6641		CLAMP, TUBE	N304-14-664	1	THRU JAN '84 PROD.	FB33* ..800001-819694

**1400AA-2 OIL PUMP & FILTER
(13B) (GSL-SE)**



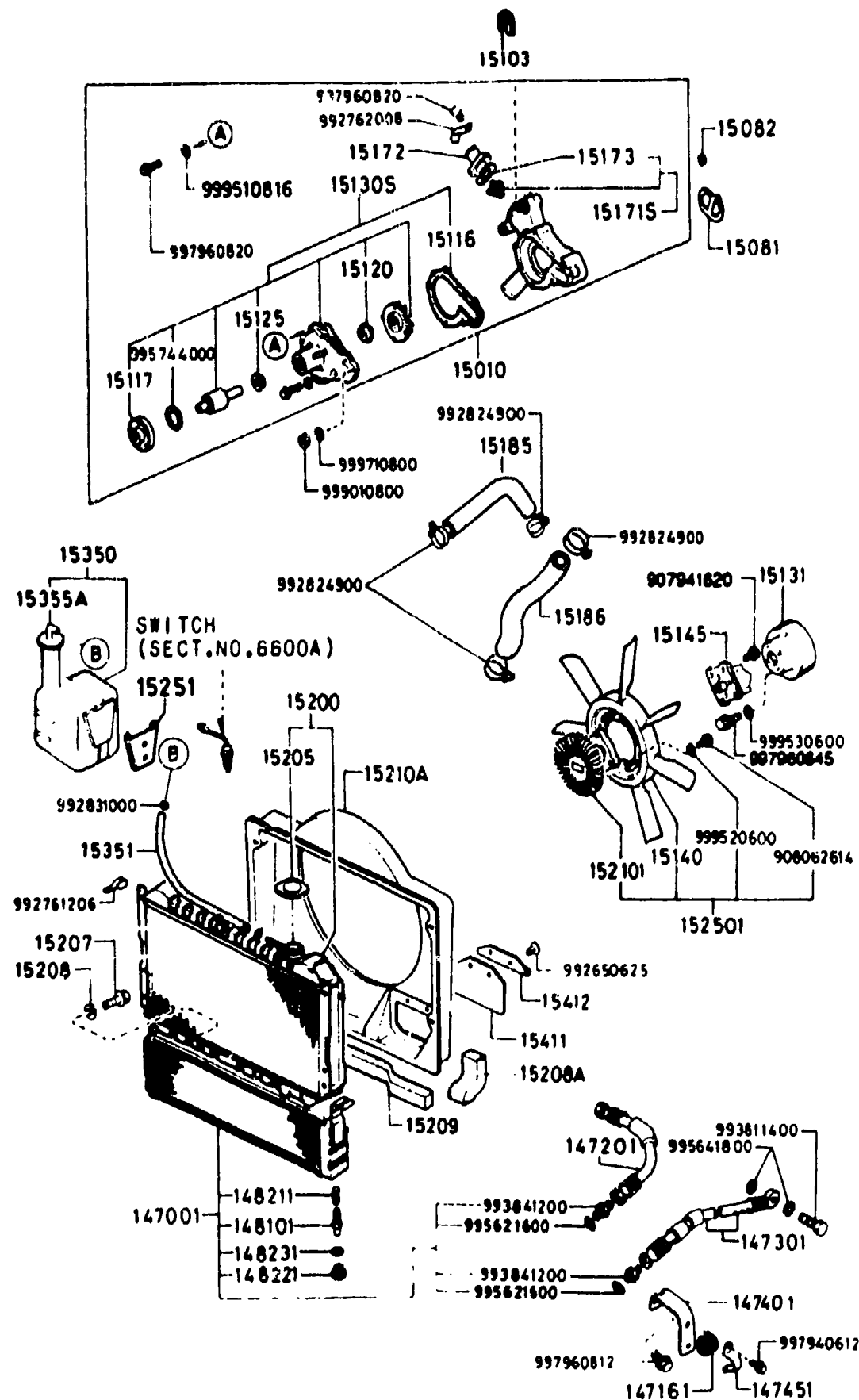
ITEM NO.	D-CODE	DESCRIPTION	PART NO	QTY	MODEL/DESCRIPTION	REMARKS
14 668A		CLIP, M. OIL TUBE	N304-14-668E	1		
14 6801		VALVE, CHECK	N236-14-639B	4		
23 802		CARTRIDGE, OIL FILTER	N3Y6-14-302	1		
		< AN >	B6Y1-14-302	1		
		REFER TO PARTS BULL. NOS. T-1-7 & T-1-8 FOR MORE INFO.				
23 8821		ROTOR SET, OIL PUMP	8553-14-110	2		

**1500A-1 COOLING SYSTEM
(12A) (S.GS,GSL)**



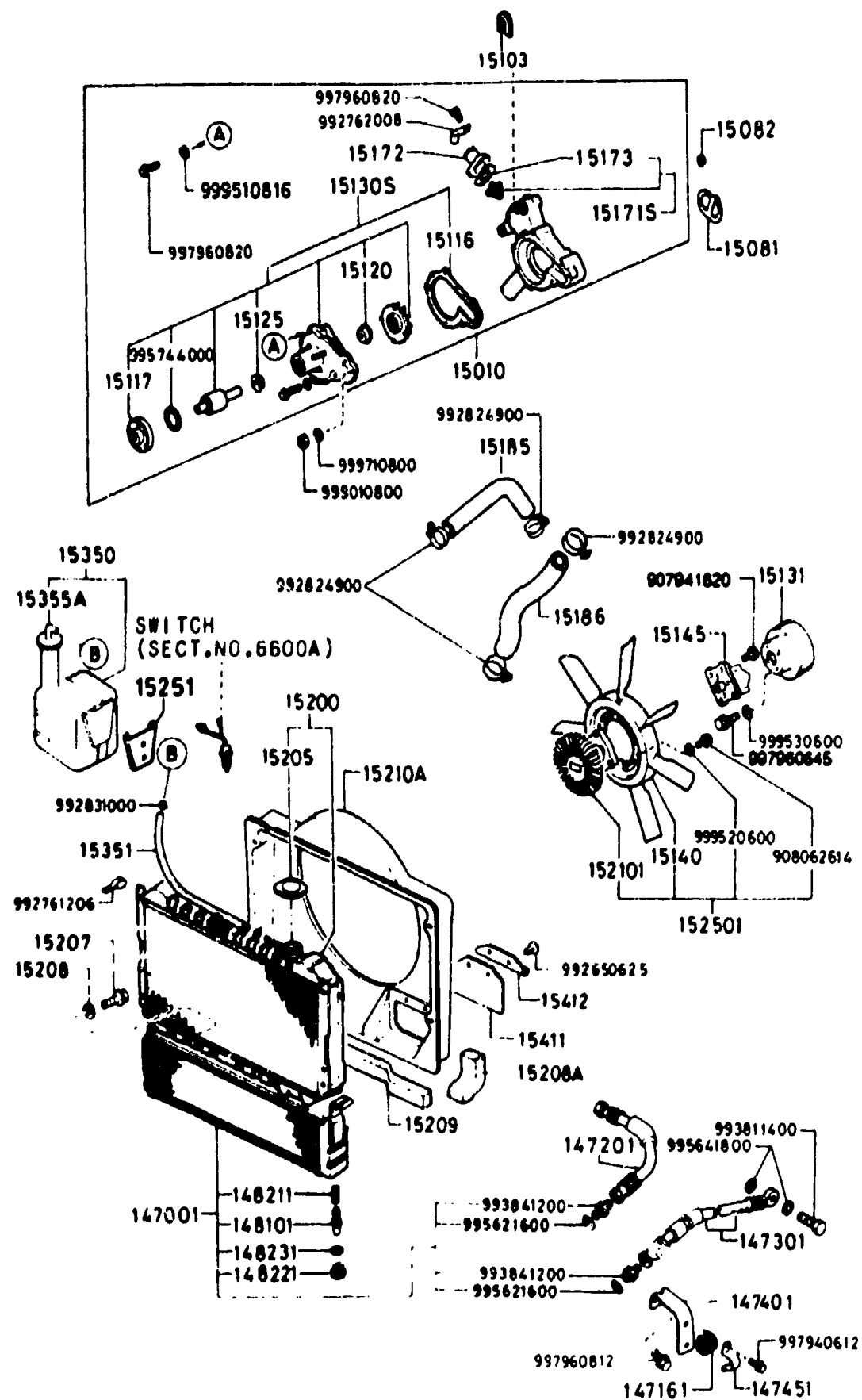
ITEM NO.	D-CODE	DESCRIPTION	PART NO.	QTY	MODEL/DESCRIPTION	REMARKS
14 6621		CLIP	3565-14-662A	1		
15 010		PUMP, WATER	8872-15-0101	1		
15 081		GASKET	1757-15-105A	1		
15 082		GASKET	1757-15-106	2		
15 103		SPACER	8872-15-103	1		
15 116		GASKET, WATER PUMP	1757-15-132	1		
15 117		BOSS, WATER PUMP PULLEY	N232-15-152	1		
15 120		SEAL, WATER	E301-15-120	1		
15 125		PLATE, WATER BAFFLE	N304-15-125	1		
15 1305		COVER SET, WATER PUMP	N232-99-153A	1		
15 131		PULLEY	1757-15-151B	1		
15 140		FAN, COOLING	N304-15-200	1		
15 145		SPACER	N249-15-211	1		
15 1715		THERMOSTAT SET	8553-99-152	1		
15 172		COVER, THERMOSTAT	8872-15-170A	1		
15 173		GASKET	1757-15-173	1		
15 185		HOSE, WATER	N231-15-511	1		
15 186		HOSE, WATER	N231-15-521C	1		
15 1871		HOSE, WATER-COOLER	N231-15-530A	1		
15 1881		HOSE, WATER-COOLER	N231-15-540B	1		
15 200		RADIATOR	N249-15-310	1	M/T	
			N232-15-310D	1	A/T	
15 205		CAP, RADIATOR	SE01-15-205	1	A/T THRU JUN '85 PROD.	FB33* ..800001-909987
			F807-15-205	1	A/T FROM JUL '85 PROD.	FB33* ..909988-
			8871-15-205	1	M/T THRU JUN '85 PROD.	FB33* ..800001-909987
			D316-15-205	1	M/T FROM JUL '85 PROD.	FB33* ..909988
15 207		COCK, DRAIN	N232-15-317	1	A/T	
15 208		GASKET, DRAIN COCK	0710-15-204	1	A/T	
15 208A		SEAL, RADIATOR LWR.	N231-15-331A	1		
15 209		SEAL, RADIATOR SIDE	N231-15-332A	1		
15 2101		FAN DRIVE	N249-15-210B	1		
15 210A		COWLING, RADIATOR	N249-15-401C	1		
15 2501		FAN & FAN DRIVE	N249-15-250B	1		
15 350		TANK, SUB	1052-15-350B	1		
15 351		HOSE, WATER	8871-15-351A	1		
15 355A		CAP, SUB TANK	1052-15-355A	1		
15 543		PROTECTOR, WATER HOSE	N231-15-543	1		
18 863C		CLIP	8156-18-863B	1		

**1500AA-1 COOLING SYSTEM
(13B) (GSL-SE)**



ITEM NO.	D-CODE	DESCRIPTION	PART NO.	QTY	MODEL/DESCRIPTION	REMARKS
	14 7001	COOLER, OIL	N304-14-750D	1		
	14 7161	PROTECTOR, OIL HOSE	0813-14-716	1		
	14 7201	HOSE, OIL	N304-14-720C	1		
	14 7301	HOSE, OIL	N304-14-730C	1		
	14 7401	BRACKET, OIL HOSE	N304-14-740	1		
	14 7451	CLIP, AIR HOSE	0839-14-745A	1		
	14 8101	FELLET, THERMO	8871-14-810	1		
	14 8211	SPRING, PELLET	1757-14-821	1		
	14 8221	NUT, STOPPER	1757-14-822	1		
	14 8231	GASKET	9956-42-200	1		
	15 010	PUMP, WATER	8AF1-15-010	1	W. GASKET	
	15 081	GASKET	1757-15-105A	1		
	15 082	GASKET	1757-15-106	2		
	15 103	SPACER	N304-15-103	1		
	15 116	GASKET, WATER PUMP	1757-15-132	1		
	15 117	BOSS, WATER PUMP PULLEY	N232-15-152	1		
	15 120	SEAL, WATER	E301-15-120	1		
	15 125	PLATE, WATER BAFFLE	N304-15-125	1		
	15 130S	COVER SET, WATER PUMP	N232-99-153A	1		
	15 131	PULLEY	1757-15-151B	1		
	15 140	FAN, COOLING	N304-15-200	1		
	15 145	SPACER	N249-15-211	1		
	15 1715	THERMOSTAT SET	8553-99-152	1		
	15 172	COVER, THERMOSTAT	N236-15-170	1		
	15 173	GASKET	1757-15-173	1		
	15 185	HOSE, WATER	N304-15-511	1		
	15 186	HOSE, WATER	N304-15-521B	1		
	15 200	RADIATOR	N304-15-310A	1		
	15 205	CAP, RADIATOR	SE01-15-205	1	THRU JUN '85 PROD.	FB33* ..800001-909987
			F807-15-205	1	FROM JUL '85 PROD.	FB33* ..909988-
	15 207	COCK, DRAIN	N232-15-317	1		
	15 208	GASKET, DRAIN COCK	0710-15-204	1		
	15 208A	SEAL, RADIATOR LWR.	N231-15-331A	1		
	15 209	SEAL, RADIATOR SIDE	N231-15-332A	1		
	15 2101	FAN DRIVE	N304-15-210B	1		
	15 210A	COWLING, RADIATOR	N304-15-400D	1		
	15 2501	FAN & FAN DRIVE	N304-15-250B	1		
	15 251	BRACKET, SUB TANK	FA01-56-374	1		
	15 350	TANK, SUB	N304-15-350A	1		
	15 351	HOSE, WATER	0460-15-277	1		

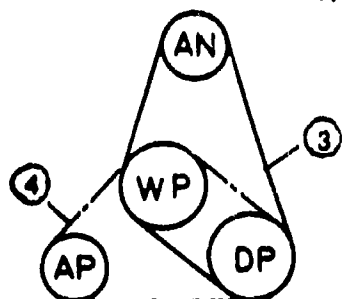
**1500AA-2 COOLING SYSTEM
(13B) (GSL-SE)**



ITEM NO.	D-CODE	DESCRIPTION	PART NO.	QTY	MODEL/DESCRIPTION	REMARKS
15 355A		CAP. SUB TANK	N304-15-355A	1		
15 411		FLAP	N304-15-411B	1		
15 412		HOLDER, FLAP-RAD. SHROUD	N304-15-412A	1		

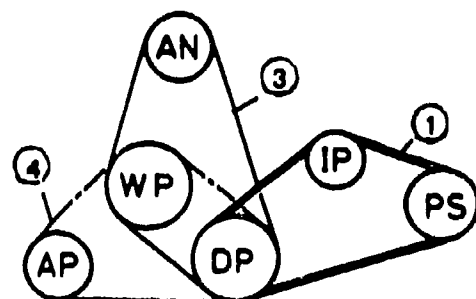
1580A-1 COMPRESSOR BRACKET, PULLEY & BELT

(W/O POWER STEERING & W/O AIR CON.)

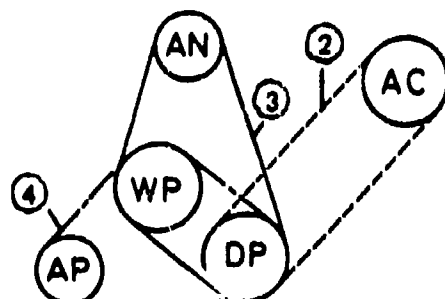


(SECT. NO. 1800A)

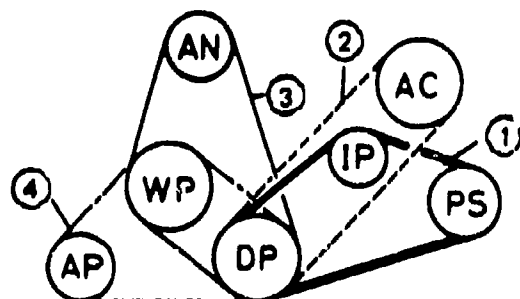
(W/POWER STEERING & W/O AIR CON.)



(W/O POWER STEERING & W/AIR CON.)

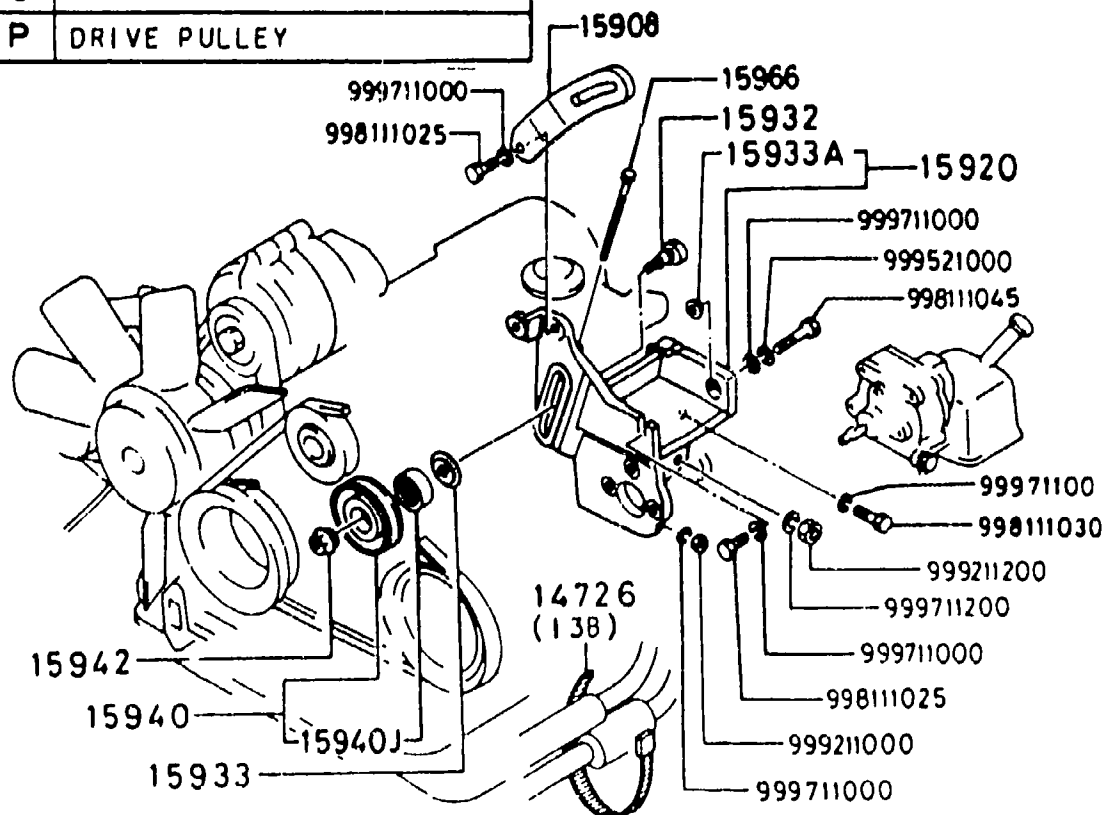


(W/POWER STEERING & W/AIR CON.)



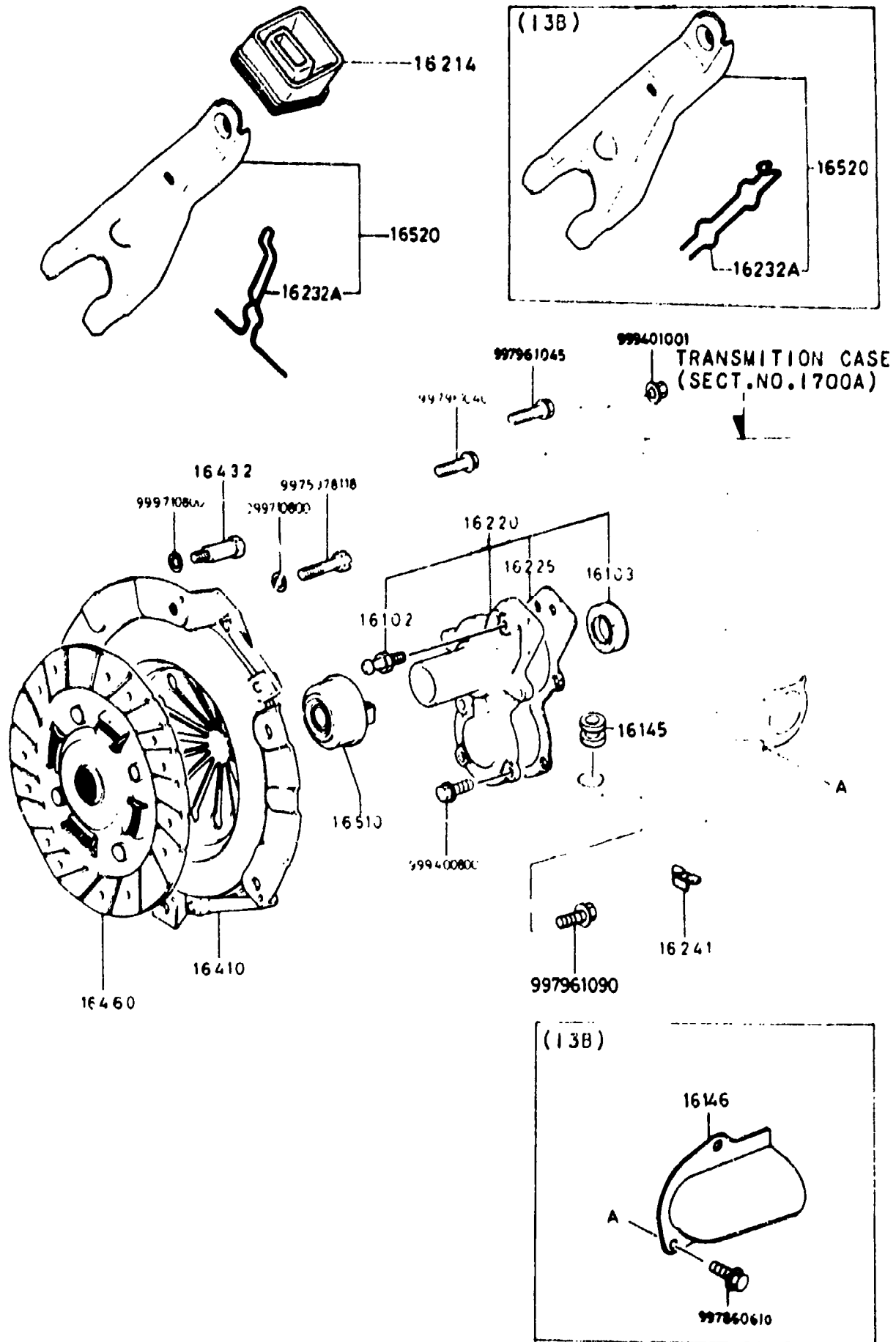
AN	ALTERNATOR
WP	WATER PUMP
AP	AIR PUMP
AC	AIR CON.
IP	IDLE PULLEY
PS	POWER STEERING OIL PUMP
DP	DRIVE PULLEY

	D-CODE	SECT. NO.
1	15907	1580A
2	15906	1580A
3	18381	1800A
4	137151	1371A



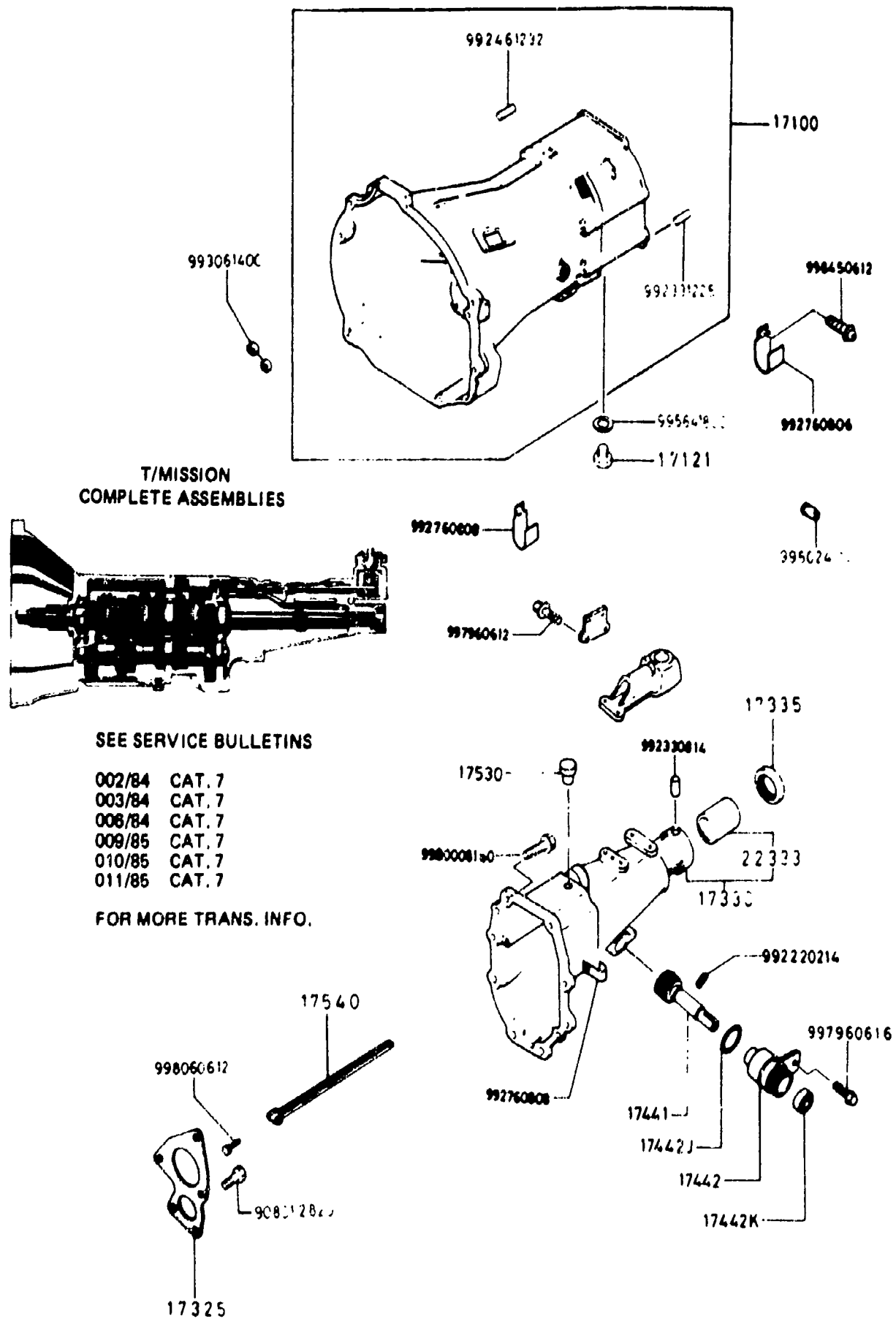
ITEM NO.	D-CODE	DESCRIPTION	PART NO.	QTY	MODEL/DESCRIPTION	REMARKS
4	13 7151	BELT, AIR PUMP	1757-13-715	1	(12A) S, GS, GSL	
4			N304-13-715	1	(13B) GSL-SE	
	14 726	BAND	N304-14-726	1	(W/ P/S) 13B (GSL-SE)	
2	15 906	BELT, COMPRESSOR	0000-68-1111-05	1	(NIPPONDENSO)	
2			0000-67-5409-03	1	(WYNN'S)	
1	15 907	BELT, P/S PUMP	N249-15-907A	1	(W/ OR W/O A/C)	
	15 908	STRAP	N249-15-908B	1		
	15 920	BRACKET, COMPRESSOR	N249-15-925C	1	(W/ P/S)	
	15 932	SHAFT, PULLEY	N249-15-932A	1	(W/ P/S)	
	15 933	COLLAR	N249-15-933	1	(W/ P/S)	
	15 933A	COLLAR	N249-15-927A	1	(W/ P/S)	
	15 940	PULLEY, IDLE	N249-15-940	1	(W/ P/S)	
	15 940J	BEARING	9960-62-203	1	(W/ P/S)	
	15 942	COLLAR	N249-15-942	1	(W/ P/S)	
	15 966	BOLT, ADJUST	1757-15-966	1	(W/ P/S)	
3	18 381	BELT, ALTERNATOR	8311-18-381A	1		

1600A-1 CLUTCH DISC & COVER



ITEM NO.	D-CODE	DESCRIPTION	PART NO	QTY	MODEL/DESCRIPTION	REMARKS
16 102		PIN, PIVOT	0603-16-102B	1		
16 103		SEAL, OIL	0603-16-103	1		
16 145		RUBBER, SEAL	N204-16-145	1		
16 146		COVER, VENT	N206-16-150	1	13B (GSL-SE)	
16 214		COVER, DUST	3975-16-214A	1		
16 220		COVER, FRONT	8540-16-220D	1	12A (S, GS, GSI)	FB33* ..800001-871510
			N204-16-220A	1	13B (GSI-SE)	
16 225		GASKET, FRONT COVER	8540-16-225	1		
16 232A		SUPPORTER, FORK	0249-16-232	1	12A (S, GS, GSI) THRU OCT. '84 PROD.	FB33* ..871511.
			1416-16-232A	1	12A (S, GS, GSI) FROM NOV. '84 PROD.	
				1	13B (GSI-SE)	
16 241		PLUG, BLIND	8540-16-241A	1		
16 410		COVER, CLUTCH	N203-16-410A	1	12A (S, GS, GSI)	
			N304-16-410	1	13B (GSI-SE)	
16 432		BOLT, REAMER	0839-16-432	2		
16 460		DISC, CLUTCH	N203-16-460B	1	12A (S, GS, GSI)	
			N303-16-460	1	13B (GSI-SE)	
16 510		COLLAR, CLUTCH RELEASE	H606-16-510A	1		
16 520		FORK, CLUTCH RELEASE	8540-16-520A	1	12A (S, GS, GSI) THRU OCT. '84 PROD.	FB33* ..800001-871510
			N204-16-520	1	12A (S, GS, GSI) FROM NOV. '84 PROD.	FB33* ..871511.
				1	13B (GSI-SE)	

1700A-1 TRANSMISSION CASE (MANUAL)

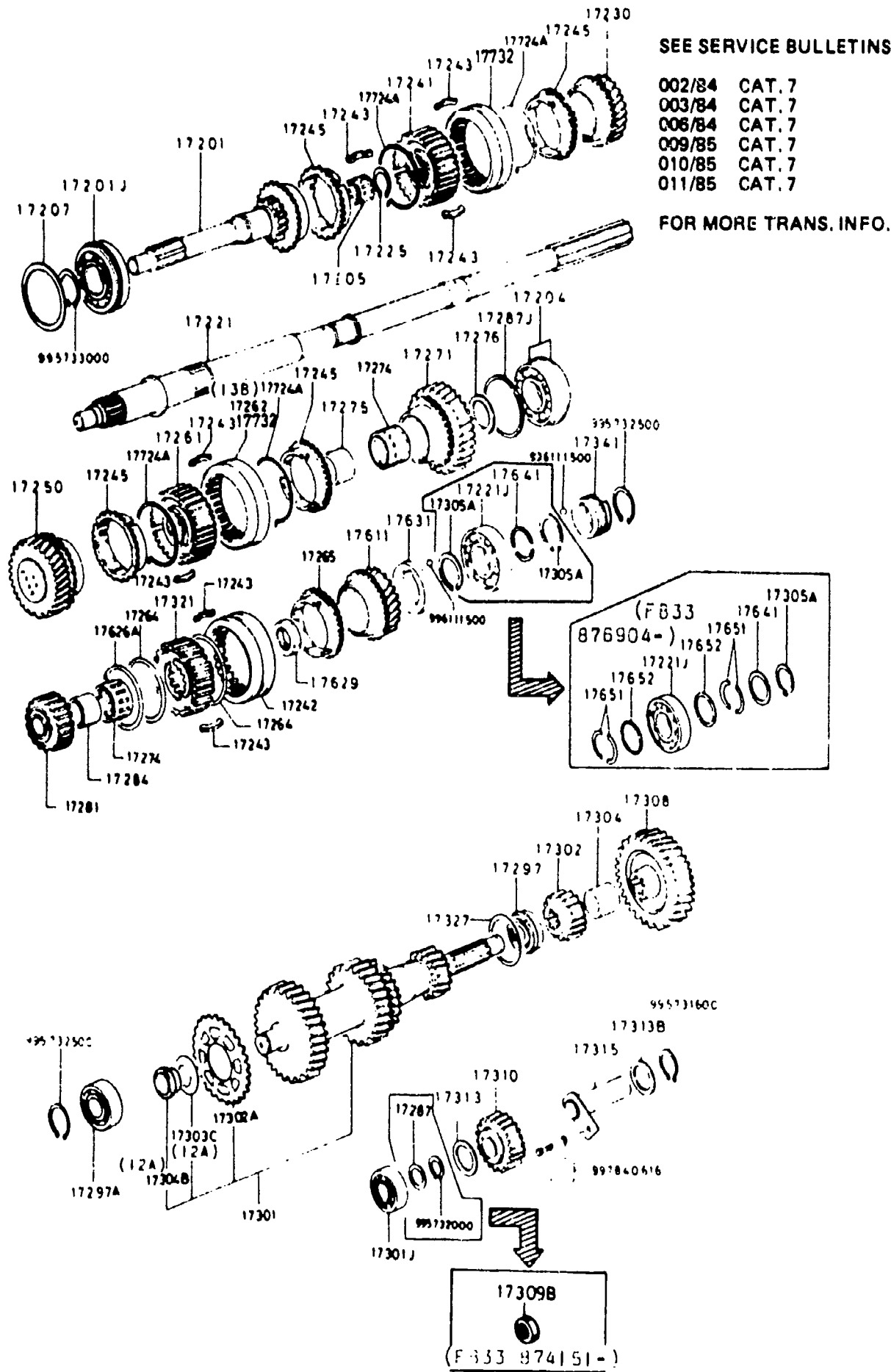


ITEM NO.	D-CODE	DESCRIPTION	PART NO	QTY	MODEL/DESCRIPTION	REMARKS
1		TRANSMISSION, ASSY. COMPLETE	M544-03-000	1	12A (S. GS. GSU)	
1		TRANSMISSION, ASSY. COMPLETE	M546-03-000	1	13B (GSI-SE)	
	17 100	CASE, T/MISSION	M503-17-100A	1	12A (S. GS. GSU) THRU NOV. '84 PROD.	FB33* .800001-874150
			M503-17-100B	1	12A (S. GS. GSU) FROM DEC. '84 PROD.	FB33* .874151-
			M511-17-100A	1	13B (GSI-SE) THRU NOV. '84 PROD.	FB33* .800001-874150
			M511-17-100B	1	13B (GSI-SE) FROM DEC. '84 PROD.	FB33* .874151-
			< A > M511-17-100C	1		
	17 121	PLUG, MAGNET DRAIN	0810-17-121	1		
	17 325	COVER BEARING	8086-17-326	1		
	17 330	HOUSING, EXTENSION	M503-17-330	1		
	17 335	SEAL, OIL	0437-17-335A	1		
	17 441	GEAR, DRIVEN	8057-17-441C	1		
	17 442	SLEEVE, SPEEDOMETER	1011-17-442A	1		
	17 442J	O-RING	1011-17-443	1		
	17 442K	SEAL, OIL	9958-60-8166	1		
	17 530	BREATHER, AIR	0884-17-530	1		
	17 540	PASS. OIL	M501-17-550A	1		
	22 333	BUSHING	0398-22-330	1		

SECTION INDEX -- ENGINE

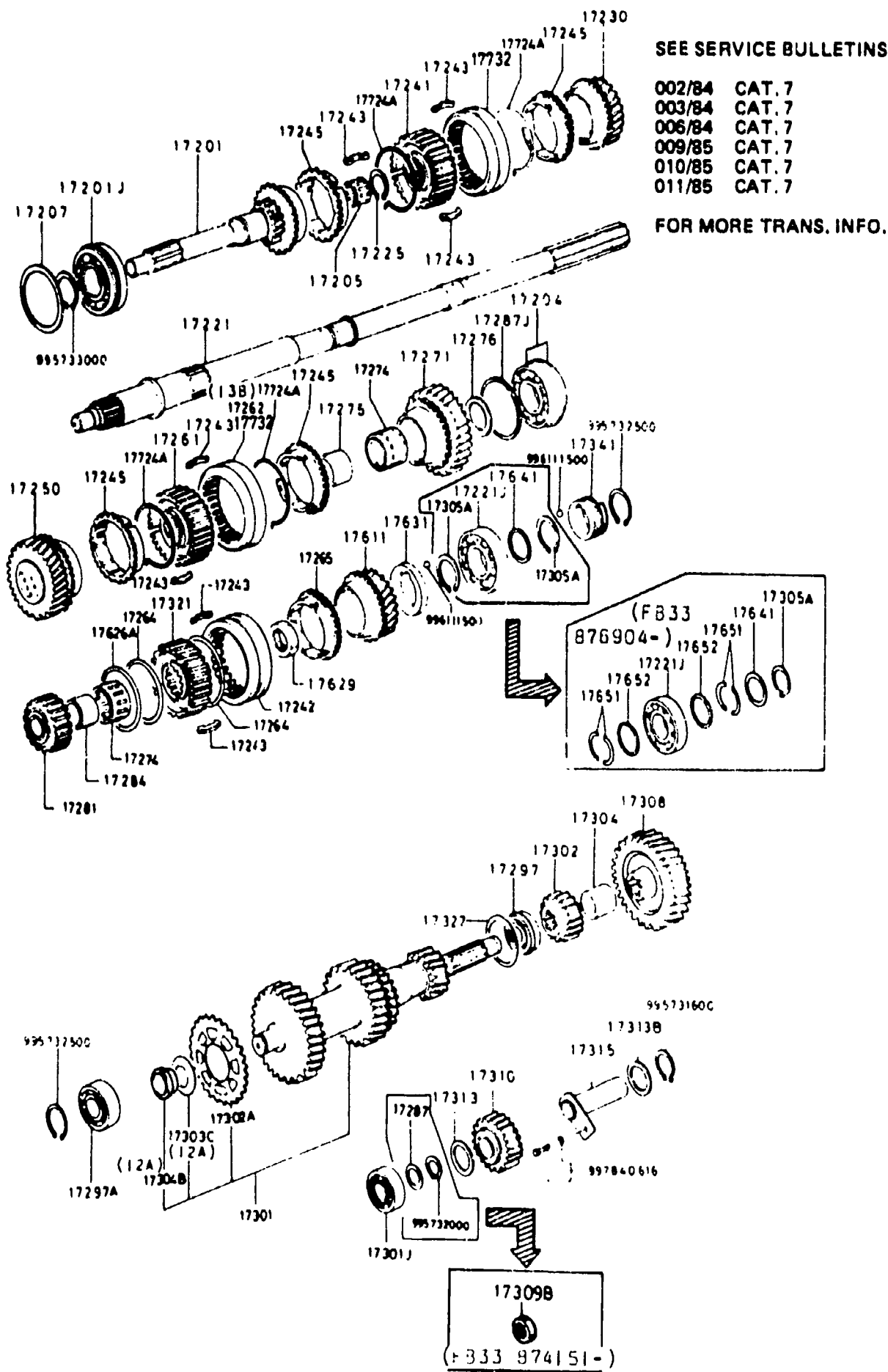
STARTING LOCATION	SECT. NO.	SECTION NAME	STARTING LOCATION	SECT. NO.	SECTION NAME	STARTING LOCATION	SECT. NO.	SECTION NAME
1 - C 3	1000A	SHORT ENGINE & GASKET SETS	1 - G 6	1720A	CHANGE CONTROLS (MANUAL)			
1 - D 3	1030A	ROTOR HOUSING	1 - H 6	1800A	ENGINE ELECTRICAL SYSTEM			
1 - E 3	1040A	OIL PAN, FRONT & REAR HOUSING	1 - I 6	1820A	DISTRIBUTOR			
1 - G 3	1100A	ECCENTRIC SHAFT & FLYWHEEL	1 - J 6	1830A	ALTERNATOR			
1 - H 3	1110A	ROTOR & RELATED	1 - K 6	1840A	STARTER			
1 - I 3	1300A	INTAKE MANIFOLD (12A) (S.GS.GSI)	1 - M 6	1850A	BATTERY & CABLES			
1 - J 3	1300AA	INTAKE MANIFOLD (13B) (GSI-SE)	1 - N 6	1910A	TORQUE CONVERTER, OIL PUMP & PIPING (AUTOMATIC)			
1 - K 3	1310A	EXHAUST MANIFOLD (12A) (S.GS.GSI)	1 - C 7	1920A	TRANSMISSION CASE & MAIN CONTROLS (AUTOMATIC)			
1 - L 3	1310AA	EXHAUST MANIFOLD (13B) (GSI-SE)	1 - E 7	1930A	CLUTCH & PLANETARY GEAR (AUTOMATIC)			
1 - M 3	1320A	FUEL SYSTEM (12A) (S.GS.GSI)	1 - G 7	1940A	LOW, REVERSE & GOVERNOR (AUTOMATIC)			
1 - C 4	1320AA	FUEL SYSTEM (13B) (GSI-SE)	1 - H 7	1950A	MANUAL LINKAGE (AUTOMATIC)			
1 - E 4	1330A	AIR CLEANER (12A) (S.GS.GSI)	1 - I 7	1960A	GASKET & SEAL KIT (AUTOMATIC)			
1 - F 4	1330AA	AIR CLEANER (13B) (GSI-SE)						
1 - G 4	1350A	STARTING ASSIST SYSTEM (12A) (S.GS.GSI) (FEDERAL ONLY)						
1 - H 4	1350AA	STARTING ASSIST SYSTEM (13B) (GSI-SE) (FEDERAL ONLY)						
1 - I 4	1359A	CARBURETOR & REPAIR KIT (12A) (S.GS.GSI)						
1 - J 4	1360A	CARBURETOR COMPONENTS (12A) (S.GS.GSI)						
1 - L 4	1371A	AIR PUMP & AIR CONTROL VALVE (12A) (S.GS.GSI)						
1 - M 4	1371AA	AIR PUMP & AIR CONTROL VALVE (13B) (GSI-SE)						
1 - N 4	1380A	EMISSION CONTROLS (12A) (S.GS.GSI)						
1 - C 5	1380AA	EXHAUST SIDE EMISSION CONTROLS (13B) (GSI-SE)						
1 - E 5	1400A	OIL PUMP & FILTER (12A) (S.GS.GSI)						
1 - F 5	1400AA	OIL PUMP & FILTER (13B) (GSI-SE)						
1 - H 5	1500A	COOLING SYSTEM (12A) (S.GS.GSI)						
1 - I 5	1500AA	COOLING SYSTEM (13B) (GSI-SE)						
1 - K 5	1580A	COMPRESSOR BRACKET, PULLEY & BELT						
1 - L 5	1600A	CLUTCH DISC & COVER						
1 - M 5	1700A	TRANSMISSION CASE (MANUAL)						
1 - C 6	1710A	TRANSMISSION GEARS (MANUAL)						

1710A-1 TRANSMISSION GEARS (MANUAL)



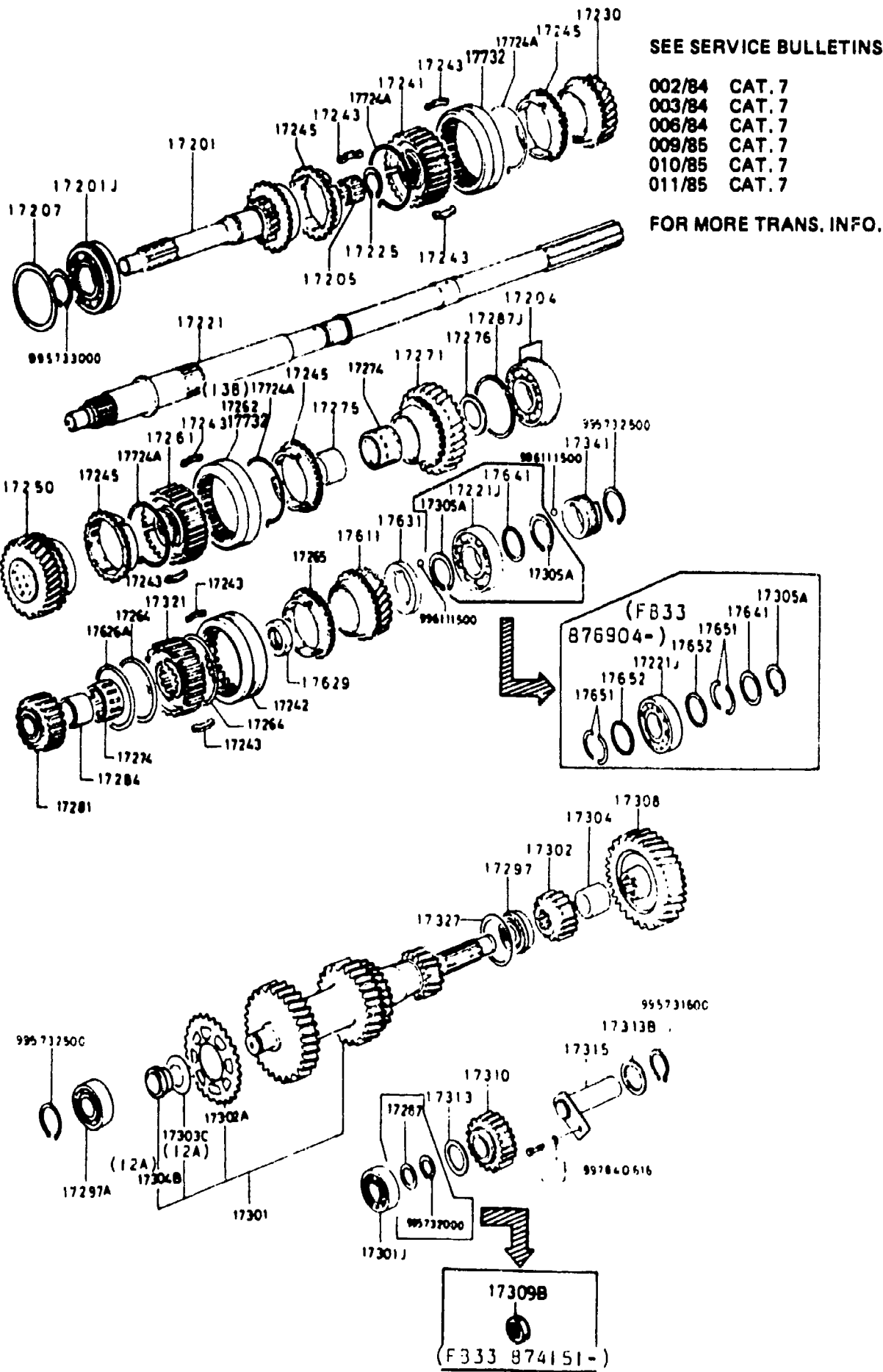
ITEM NO	D-CODE	DESCRIPTION	PART NO.	QTY	MODEL/DESCRIPTION	REMARKS
17 201		GEAR, MAIN DRIVE	M506-17-201	1	THRU NOV. '84 PROD.	FB33* ..800001-876903
			M515-17-201A	1	FROM DEC. '84 PROD.	FB33* ..876904-
		REFER TO SERV. BULL. NO. 010 '85 CAT. 7 FOR MORE INFO.				
17 201J		BEARING, BALL	M502-17-295C	1		
		REFER TO SERV. BULL. NO. 011 '85 CAT. 7 FOR MORE INFO.				
17 204		BEARING, BALL	M502-17-298A	1		
17 205		BEARING, ROLLER	0249-17-210B	1	12A (S, GS, GSU) THRU NOV. '84 PROD.	FB33* ..815218-876903
				1	13B (GSL-SE) THRU NOV. '84 PROD.	FB33* ..876904-
			M501-17-210	1	13B (GSL-SE) FROM DEC. '84 PROD.	FB33* ..876904-
17 207		SHIM, ADJUST	9996-36-315	1	(T=0.15)	
			9996-36-330	1	(T=0.30)	
17 221		SHAFT, MAIN	M502-17-221	1	12A (S, GS, GSU) THRU SEP. '84 PROD.	FB33* ..800001-866964
			M502-17-221A	1	12A (S, GS, GSU) FROM OCT. '84 PROD.	FB33* ..866965-
			M505-17-221	1	13B (GSL-SE) THRU SEP. '84 PROD.	FB33* ..800001-866964
			M505-17-221A	1	13B (GSL-SE) FROM OCT. '84 PROD.	FB33* ..866965-
17 221J		BEARING, BALL	M503-17-204	1		
17 225		RING, SNAP	0317-17-225	1		
17 230		GEAR, 3RD	M503-17-231C	1		
17 241		HUB, CLUTCH	M508-17-261A	1	THRU JUN. '85 PROD.	
17 242		SLEEVE, CLUTCH HUB	F401-17-242A	1		
17 243		KEY, SYNCHRONIZER	F401-17-243A	9		
17 245		RING, SYNCHRONIZER	M501-17-245	4		
17 250		GEAR, 2ND	M503-17-251D	1		
17 261		HUB, CLUTCH	M509-17-261A	1		
17 262		SLEEVE, CLUTCH HUB	M501-17-262B	1	13B (GSL-SE)	
17 264		SPRING, SYNCHRONIZER KEY	F402-17-264	2		
17 265		RING, SYNCHRONIZER	F401-17-265A	1		
17 271		GEAR, 1ST	M501-17-271	1	12A (S, GS, GSU)	
			M506-17-271B	1	13B (GSL-SE)	
17 274		BEARING, NEEDLE	4069-17-283A	2		
17 275		RACE, INNER	8540-17-275A	1		
17 276		WASHER, THRUST	0259-17-274A	2	(T=3.0)	
			0259-17-276	2	(T=2.2)	
			0259-17-277	2	(T=2.7)	
			0259-17-278	2	(T=3.2)	

1710A-2 TRANSMISSION GEARS (MANUAL)



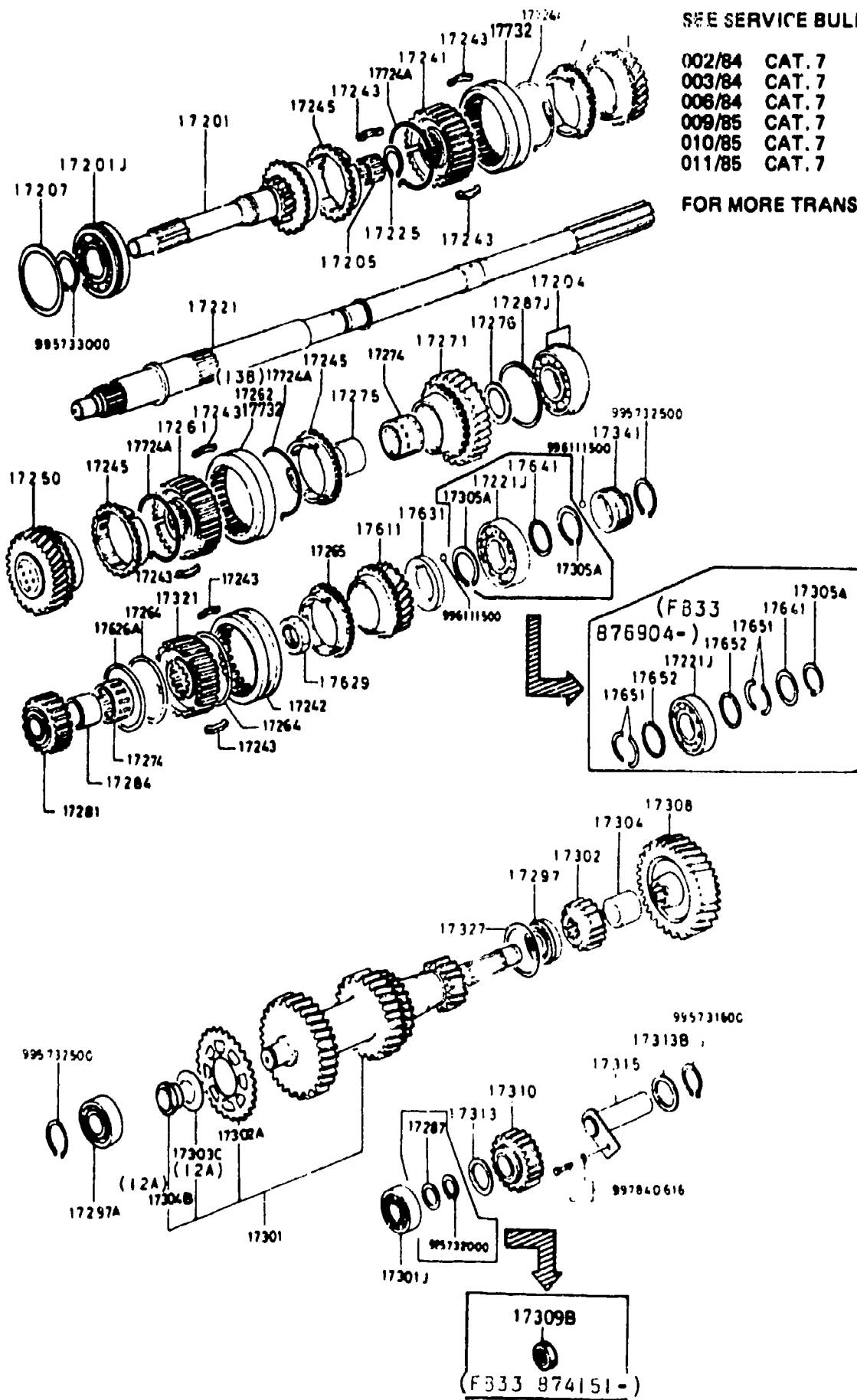
ITEM NO.	D-CODE	DESCRIPTION	PART NO.	QTY	MODEL/DESCRIPTION	REMARKS
17 276	(CONT'D)		0259-17-279	2	(T=3.7)	
17 281		GEAR, REVERSE	M501-17-281B	1		
17 284		RACE, INNER	4069-17-284E	1		
17 287		SHIM, ADJUST	0419-17-288	1	(T=2.1)	FB33* ..800001-874150
			0419-17-291	1	(T=2.2)	FB33* ..800001-874150
			0419-17-292	1	(T=2.3)	FB33* ..800001-874150
			0419-17-293	1	(T=2.4)	BF33* ..800001-874150
17 287J		SHIM, ADJUST	9996-36-310	1	(T=0.1)	FB33* ..800001-874150
			9996-36-330	1	(T=0.3)	
17 297		BEARING, BALL	R502-17-306A	1		
17 297A		BEARING, BALL	M502-17-297A	1		
17 301		GEAR, COUNTER SHAFT	M505-17-300C	1	12A (S, GS, GSI)	
			M508-17-301D	1	13B (GSI-SE)	
		REFER TO SERV. BULL. NO. 009/85 CAT. 7 FOR MORE INFO.				
17 301J		BEARING, BALL	M502-17-299A	1		
17 302		GEAR, COUNTER REVERSE	8086-17-302C	1		
17 302A		GEAR, FRICTION	M502-17-302B	1	12A (S, GS, GSI)	
17 303C		SPRING DIAPHRAGM	M501-17-303	1	12A (S, GS, GSI)	
17 304		SPACER	8086-17-304A	1		
		<A>	M504-17-304	1		
17 304B		SPACER	M501-17-304C	1	12A (S, GS, GSI)	
17 305A		RING, RETAINING	0839-17-305B	2		
17 308		GEAR, COUNTER	M505-17-308	1	12A (S, GS, GSI)	
			M502-17-308A	1	13B (GSI-SE) THRU MAY '84 PROD.	FB33* ..800001-850000
			M504-17-308	1	13B (GSI-SE) FROM JUNE '84 PROD.	FB33* ..8500001-
		REFER TO SERV. BULL. NO. 006/84 CAT. 7 FOR MORE INFO.				
		<C>	M507-17-308	1	REQUIRES GEAR: M512-17-611	
17 309B		NUT, LOCK-COUNTER SHAFT BRG.	M501-17-309	1	FROM NOV. '84 PROD.	FB33* ..874151
17 310		GEAR, REVERSE IDLE	8086-17-310C	1	12A (S, GS, GSI)	
			M504-17-310C	1	13B (GSI-SE)	
17 313		WASHER, THRUST	M501-17-313	1		
17 313B		WASHER, THRUST	4077-17-316	1	(T=2.6)	
			4077-17-314A	1	(T=2.8)	
			4077-17-315A	1	(T=3.0)	
17 315		SHAFT, REV IDLE GEAR	8086-17-140A	1		
17 321		HUB, CLUTCH	M510-17-261	1		

1710A-3 TRANSMISSION GEARS (MANUAL)



ITEM NO.	D-CODE	DESCRIPTION	PART NO.	QTY	MODEL/DESCRIPTION	REMARKS
	17 327	SHIM, ADJUST	0305-17-327	2	(T=0.1)	
			0305-17-328	2	(T=0.3)	
	17 341	GEAR, DRIVE	3728-17-341A	1		
	17 611	GEAR, OVER TOP	M502-17-611A	1	12A (S, GS, GSL)	
			M510-17-611	1	13B (GSL-SE) THRU JUN. '84 PROD.	FB33* ...800001-850000
			M509-17-611	1	13B (GSL-SE) FROM JUL. '84 PROD.	FB33* ...850001-
			<C> M512-17-611	1	REQUIRES GEAR: M507-17-308	
	17 626A	RING, RETAINING	3648-17-626	1		
	17 629	NUT, LOCK	8601-17-629	1		
	17 631	WASHER, THRUST LOCK	0884-17-632A	1	(T=6.2) THRU NOV. '84 PROD.	FB33* ..800001-876903
			0884-17-632B	1	(T=6.2) FROM DEC. '84 PROD.	FB33* ..876904-
			0884-17-633A	1	(T=6.4) THRU NOV. '84 PROD.	FB33* ..800001-876903
			0884-17-633B	1	(T=6.4) FROM DEC. '84 PROD.	FB33* ..876904-
			0884-17-634A	1	(T=6.5) THRU NOV. '84 PROD.	FB33* ..800001-876903
			0884-17-634B	1	(T=6.5) FROM DEC. '84 PROD.	FB33* ..876904-
			0884-17-635A	1	(T=6.6) THRU NOV. '84 PROD.	FB33* ..800001-876903
			0884-17-635B	1	(T=6.6) FROM DEC. '84 PROD.	FB33* ..876904-
	17 641	WASHER, ADJUST	0862-17-641A	1	12A (S, GS, GSL) (T=1.9)	
				1	13B (GSL-SE) THRU NOV. '84 PROD.	FB33* ..800001-876903
			0862-17-642A	1	12A (S, GS, GSL) (T=2.0)	
				1	13B (GSL-SE) THRU NOV. '84 PROD.	FB33* ..800001-876903
			0862-17-643A	1	12A (S, GS, GSL) (T=2.1)	
				1	13B (GSL-SE) THRU NOV. '84 PROD.	FB33* ..800001-876903
			0862-17-644A	1	12A (S, GS, GSL) (T=2.2)	
				1	13B (GSL-SE) THRU NOV. '84 PROD.	FB33* ..800001-876903
			M501-17-655	2	13B (GSL-SE) (T=2.9MM) FROM DEC. '84 PROD.	FB33* ..876904-
			M501-17-653	2	13B (GSL-SE) (T=3.1MM) FROM DEC. '84 PROD.	FB33* ..876904-
			M501-17-654	2	13B (GSL-SE) (T=3.2MM) FROM DEC. '84 PROD.	FB33* ..876904-
	17 651	WASHER, ADJUST	M501-17-651	4	13B (GSL-SE) (T=3MM) FROM DEC. '84 PROD.	FB33* ..876904-

1710A-4 TRANSMISSION GEAR



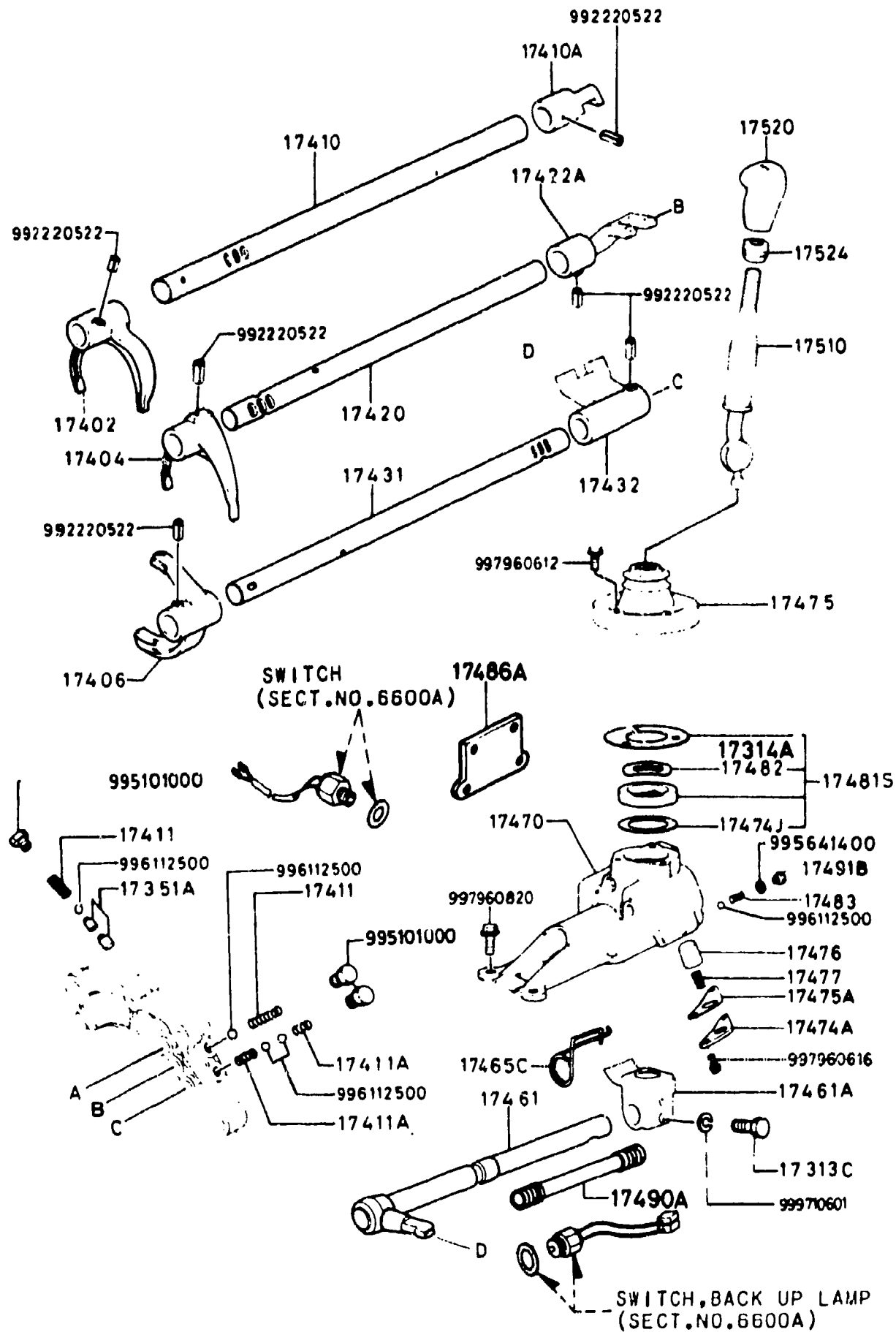
SEE SERVICE BULLETINS

- 002/84 CAT. 7
- 003/84 CAT. 7
- 006/84 CAT. 7
- 009/85 CAT. 7
- 010/85 CAT. 7
- 011/85 CAT. 7

FOR MORE TRANS. INFO.

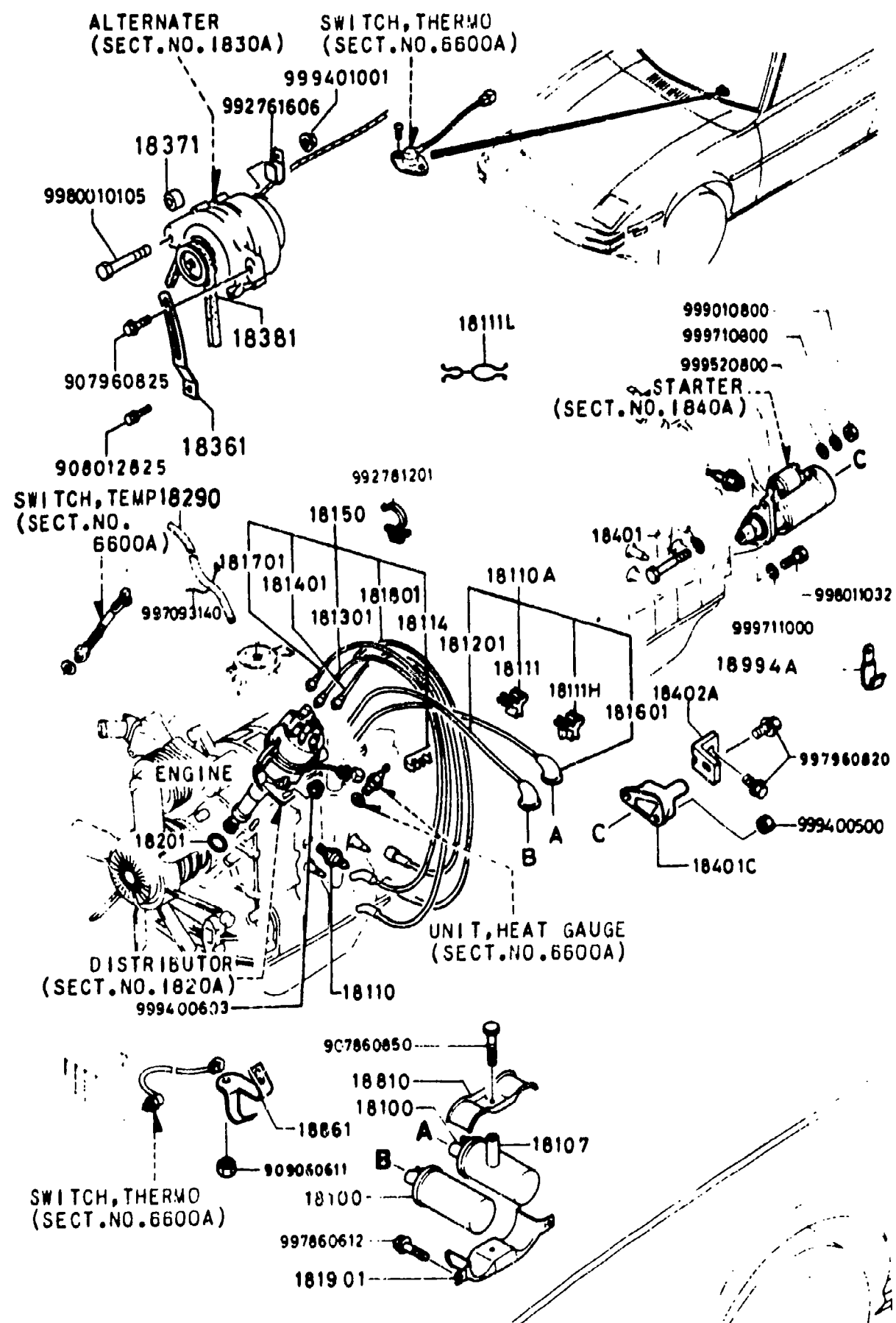
ITEM NO.	D-CODE	DESCRIPTION	PART NO.	QTY	MODEL/DESCRIPTION	REMARKS
	17 652	RING, THRUST WASHER	M501-17-652	2	13B (GSL SE) (T = 2.9MM) FROM DEC. '84 PROD.	FB33* .876904-
	17 724A	SPRING, SYNCHRONIZER KEY	W501-17-724	4		
	17 732	SLEEVE, CLUTCH HUB	W501-17-732A	2	12A S, GS, GSL	
				1	13B GSL-SE	

1720A-1 CHANGE CONTROLS (MANUAL)



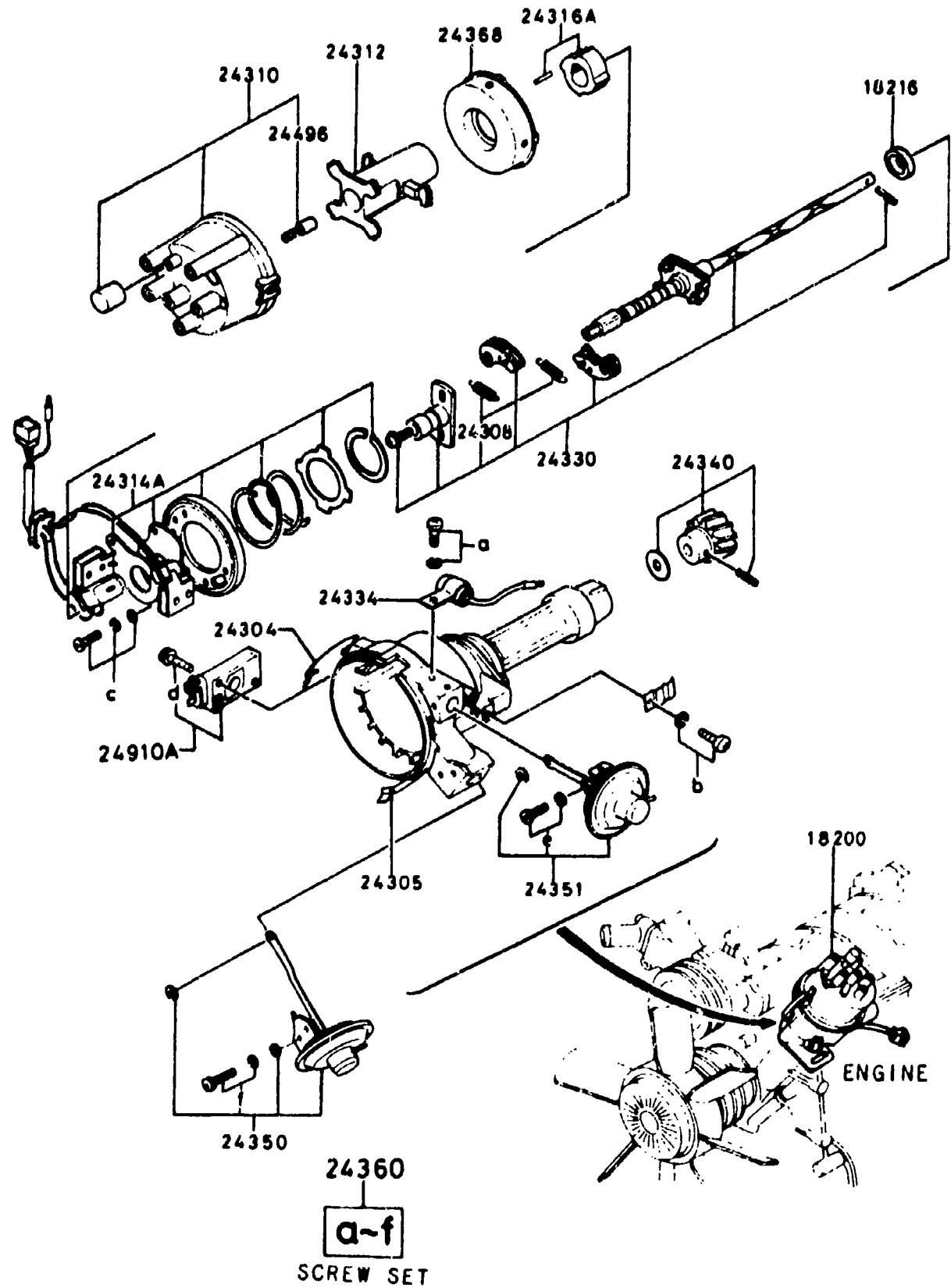
ITEM NO.	D-CODE	DESCRIPTION	PART NO.	QTY	MODEL/DESCRIPTION	REMARKS
17 313C		BOLT	0118-17-313B	1		
17 314A		WASHER	M505-17-482	1		
17 351A		PIN, INTER LOCK	0114-17-351	2		
17 402		FORK, SHIFT (1ST & 2ND)	M501-17-402B	1		
17 404		FORK, SHIFT (3RD & 4TH)	M501-17-404B	1		
17 406		FORK, SHIFT	M501-17-406A	1		
17 410		ROD, SHIFT (1ST & 2ND)	M503-17-411	1		
17 410A		END, SHIFT ROD (1ST & 2ND)	M501-17-412	1		
17 411		SPRING	0103-17-411	2		
17 411A		SPRING	0014-17-411	2		
17 420		ROD, SHIFT (3RD & 4TH)	M503-17-421	1		
17 422A		END, SHIFT ROD (3RD & 4TH)	M501-17-422	1		
17 431		ROD, SHIFT	M505-17-431A	1		
17 432		END, SHIFT	M501-17-432	1		
17 461		LEVER, CONTROL	M503-17-450	1		
17 461A		END, CONTROL ROD	M501-17-461A	1		
17 465C		SPRING, SELECT	M501-17-465B	1		
17 470		CASE, CHANGE CONTROL	M505-17-470E	1		
17 474A		CAP, SPRING	M501-17-474	1		
17 474J		SHIM, ADJUST	9996-33-130	1	(T=0.3)	
17 475		BOOT, DUST	M501-17-480A	1		
17 475A		GASKET, SPRING CAP	M501-17-475	1		
17 476		SPINDLE, SELECT LOCK	M502-17-476A	1		
17 477		SPRING	M501-17-477	1		
17 481S		BUSHING SET, CHANGE LEVER	M505-99-178	1	12A (S, GS, GSU)	
17 482		WASHER, WAVY	8599-17-482	1		
17 483		SPRING	0824-17-483	1		
17 486A		COVER, BLIND	M501-17-486	1		
		< A >	M501-17-486A	1		
17 490A		COVER, ROD	M501-17-490B	1		
17 491B		CAP, SPRING	0183-17-491	1		
17 510		LEVER, CHANGE	M501-17-510E	1		
17 520		KNOB, CHANGE LEVER	M507-17-520	1		
		RED	10			
		BLACK	65			
		BROWN	78			
17 524		NUT, LOCK	M502-17-524	1		

1800A-1 ENGINE ELECTRICAL SYSTEM



ITEM NO.	D-CODE	DESCRIPTION	PART NO.	QTY	MODEL/DESCRIPTION	REMARKS
18 100		COIL, IGNITION	1480-18-100	2	(HANSHIN MAKE)	
			8245-18-100	2	(MITUBISHI MAKE)	
18 107		PIPE	8245-18-107	1		
18 110		PLUG, SPARK	N201-18-600	4	12A (S. GS, GSJ) (BR8EQ-14 NGK)	
			8AF2-18-110A-8P	1	BLISTER PACK	
			N203-18-600	4	13B (GSL-SE) (BR9EQ-14 NGK)	
18 110A		WIRE, HIGH TENSION	N304-18-110A	1		
18 111		SUPPORTER	3648-18-111A	1		
18 111H		SUPPORTER	N304-18-111A	1		
18 111L		CLIP	N249-18-111	1		
18 114		SUPPORTER	0820-18-114	1		
18 1201		WIRE, HIGH TENSION	N304-18-120A	1		
18 1301		WIRE, HIGH TENSION	1480-18-130B	1		
18 1401		WIRE, HIGH TENSION	0000-18-097B	1		
18 150		WIRE SET, HIGH TENSION	0000-18-097B	1		
18 1601		WIRE, HIGH TENSION	N304-18-160A	1		
18 1701		WIRE, HIGH TENSION	1480-18-170B	1		
18 1801		WIRE, HIGH TENSION	8871-18-180A	1		
18 1901		BRACKET, IGNITION COIL	8871-18-810A	1		
18 201		O-RING	9954-10-3501	1		
18 290		TUBE, VACUUM CONTROL	9935-10-4999		BULK QTY	
18 361		STRAP, ALTERNATOR	1881-18-361A	1		
18 371		BRACKET, ALTERNATOR	N245-18-311B	1		
18 381		V-BELT	8311-18-381A	1		
18 401		BOLT, STARTER	N235-18-401	1	A/T	
18 401C		BRACKET, STARTER	N250-18-401A	1	A/T	
18 402A		BRACKET, STARTER	N250-18-402	1	A/T	
18 810		BRACKET, IGNITION	8871-18-106C	1		
18 861		CLIP	8341-18-861C	1	13B (GSL-SE)	
18 994A		CLIP, ENGINE HARNESS	1820-18-994	1		

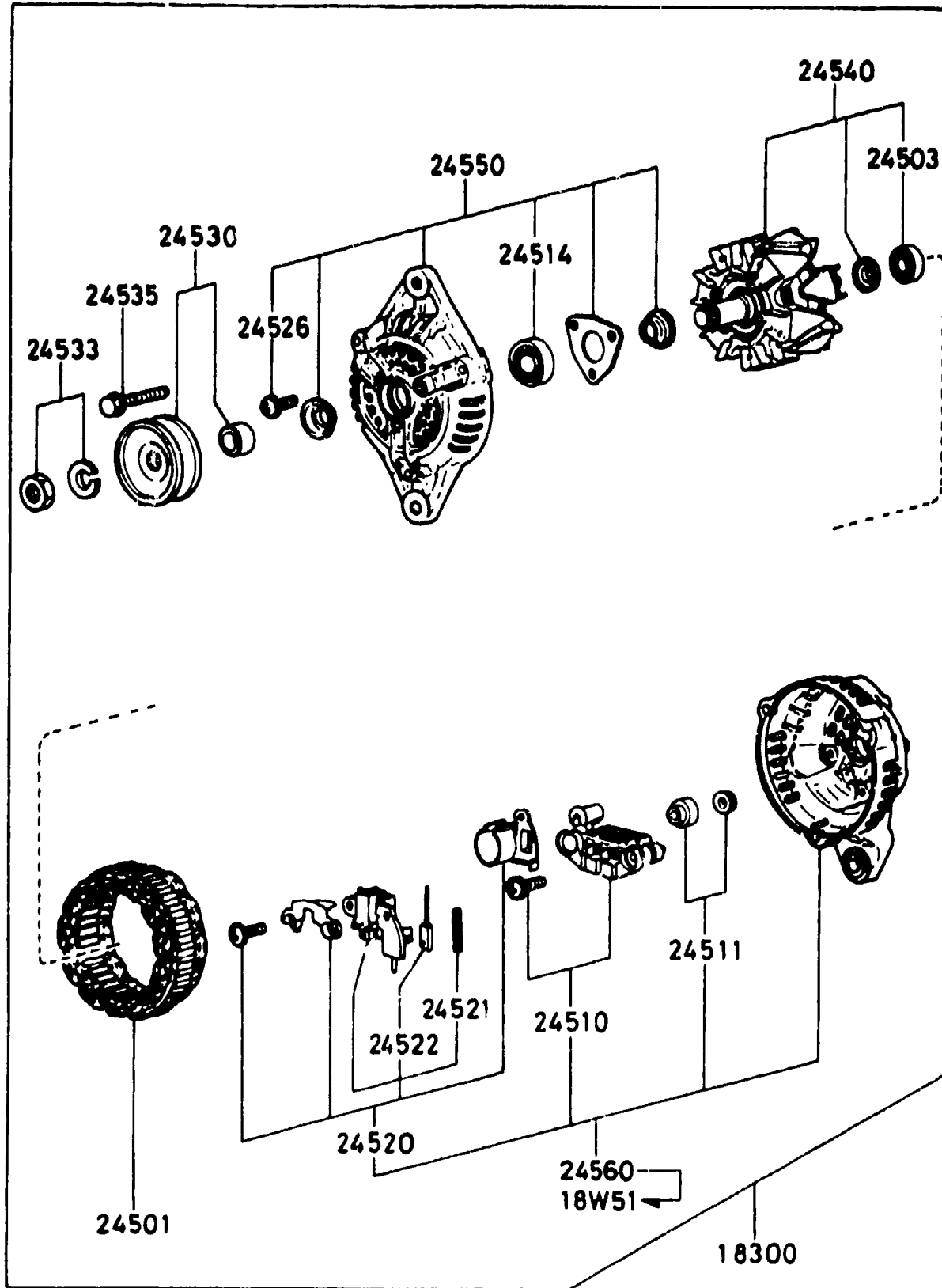
1820A-1 DISTRIBUTOR



ITEM NO.	D-CODE	DESCRIPTION	PART NO.	QTY	MODEL/DESCRIPTION	REMARKS
18 200		DISTRIBUTOR	N249-18-200A	1	12A (S, GS, GSU)	
			N304-18-200B	1	13B (GSU-SE)	
18 216		SEAL, OIL	0107-18-216A	1		
24 304		CLAMP	8245-24-304	1		
24 305		CLAMP	8245-24-305	1		
24 308		SPRING SET	1480-24-308	1	12A (S, GS, GSU)	
			N304-24-308	1	13B (GSU-SE)	
24 310		CAP, DISTRIBUTOR	8245-24-310B	1		
24 312		ROTOR, DISTRIBUTOR	8245-24-303A	1		
			8AF1-24-310A-BP	1	CAP & ROTOR BLISTER PAK	
24 314A		PICK-UP SET	N236-24-314	1		
24 316A		ROTOR SET, SIGNAL	8248-24-316	1		
24 330		GOVERNOR SET	N249-24-330	1	12A (S, GS, GSU)	
			N304-24-330	1	13B (GSU-SE)	
24 334		CONDENSOR	1757-24-334	1		
24 34C		COUPLING SET	3648-24-340	1		
24 350		VACUUM SET	1480-24-350A	1		
			N304-24-350	1	13B (GSU-SE)	
24 351		VACUUM SET	N231-24-351	1	12A (S, GS, GSU)	
			N304-24-351	1	13B (GSU-SE)	
24 360		SCREW SET	8248-24-360	1		
24 368		COVER	8245-24-368A	1		
24 496		CONTACT	1757-24-302	1		
24 910A		IGNITER SET	E301-24-910	2		

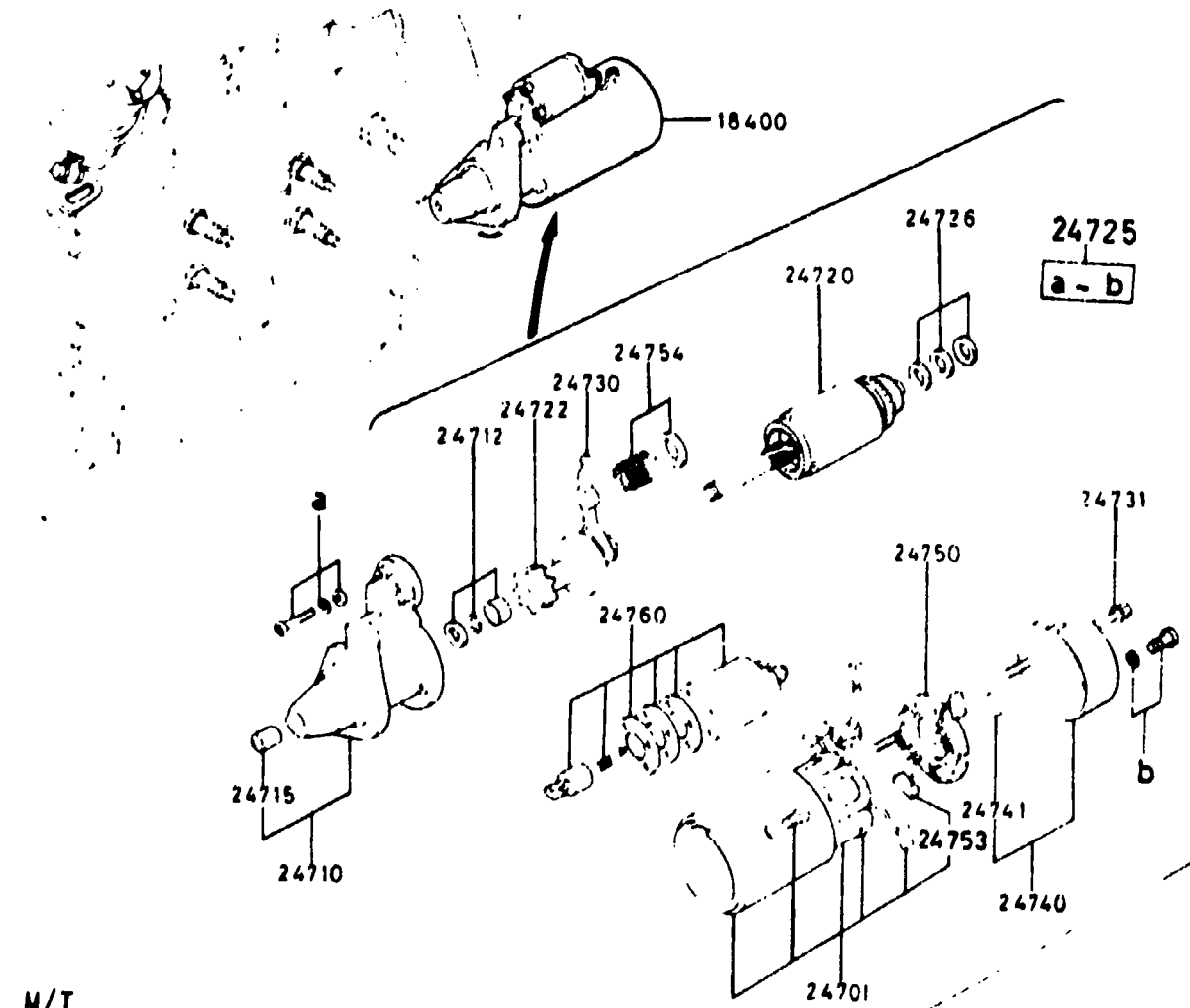
1830A-1 ALTERNATOR

SEE SECTION 1580A FOR FAN BELT



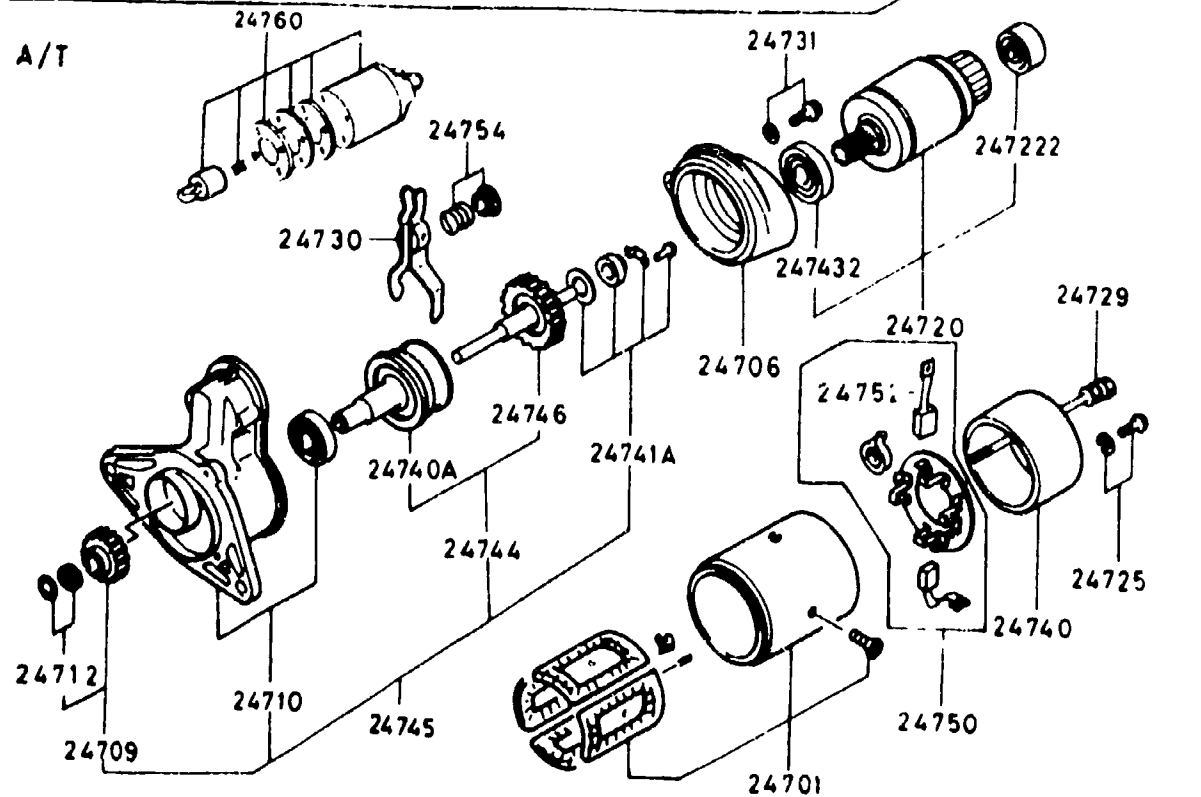
ITEM NO.	D-CODE	DESCRIPTION	PART NO.	QTY	MODEL/DESCRIPTION	REMARKS
18 300		ALTERNATOR REFER TO PARTS BULL. NOS. R-1 & R-5 FOR MORE INFO.	N304-18-300R	1	REMAN.	
18 W51		BRACKET, REAR	FE65-18-W50A	1	FROM DEC. '84 PROD.	FB33* .. 880507-
24 501		STATOR	E356-18-W45	1	12A (S, GS, GSI)	
			FE65-24-501A	1	13B (GSI-SE)	
24 503		BEARING, BALL	FE65-24-503	1	THRU NOV. '84 PROD.	FB33* ..800001-877562
			B612-18-W36	1	FROM DEC. '84 PROD.	FB33* ..877563-
24 510		RECTIFIER	FE65-24-510	1	THRU MAR. '85 PROD.	FB33* ..800001-393765
			FE65-18-W60A	1	FROM APR. '85 PROD.	FB33* ..893766-
24 511		NUT SET	SE21-24-511	1		
24 514		BEARING, BALL	FE65-24-523	1	THRU NOV. '84 PROD.	FB33* ..800001-877562
			FE38-24-W27	1	FROM DEC. '84 PROD.	FB33* ..877563-
24 520		REGULATOR	E356-18-W70	1		
24 521		SPRING, BRUSH	B173-24-521	2		
24 522		BRUSH	FE65-24-522	2		
24 526		SCREW SET	FE65-24-526	1		
24 530		PULLEY	N304-24-530	1	THRU NOV. '84 PROD.	FB33* ..800001-878002
			N304-24-530A	1	FROM DEC. '84 PROD.	FB33* ..878003-
24 533		NUT SET	B028-24-533	1		
24 535		SCREW SET	FE65-24-535	1		
24 540		ROTOR	FE65-24-540	1	THRU NOV. '84 PROD.	FB33* ..800001-880506
			E356-18-W35	1	FROM DEC. '84 PROD.	FB33* ..880507-
24 550		BRACKET, FRONT	FE65-24-550	1	THRU NOV. '84 PROD.	FB33* ..800001-880506
			FE65-18-W25	1	FROM DEC. '84 PROD.	FB33* ..880507
24 560		BRACKET, REAR	FE65-24-560	1	THRU NOV. '84 PROD.	FB33* ..800001-880506

1840A-1 STARTER



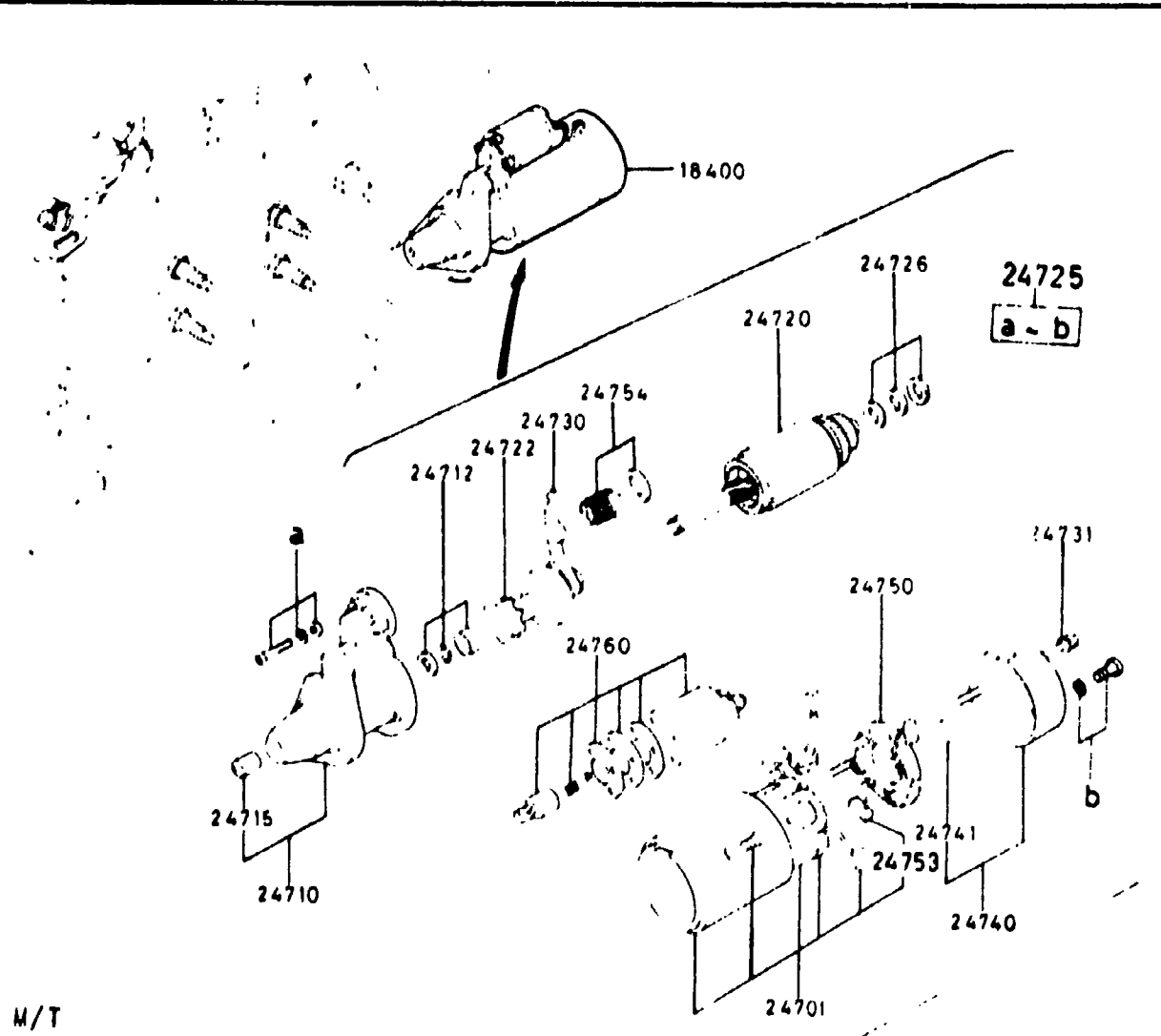
M/T

A/T

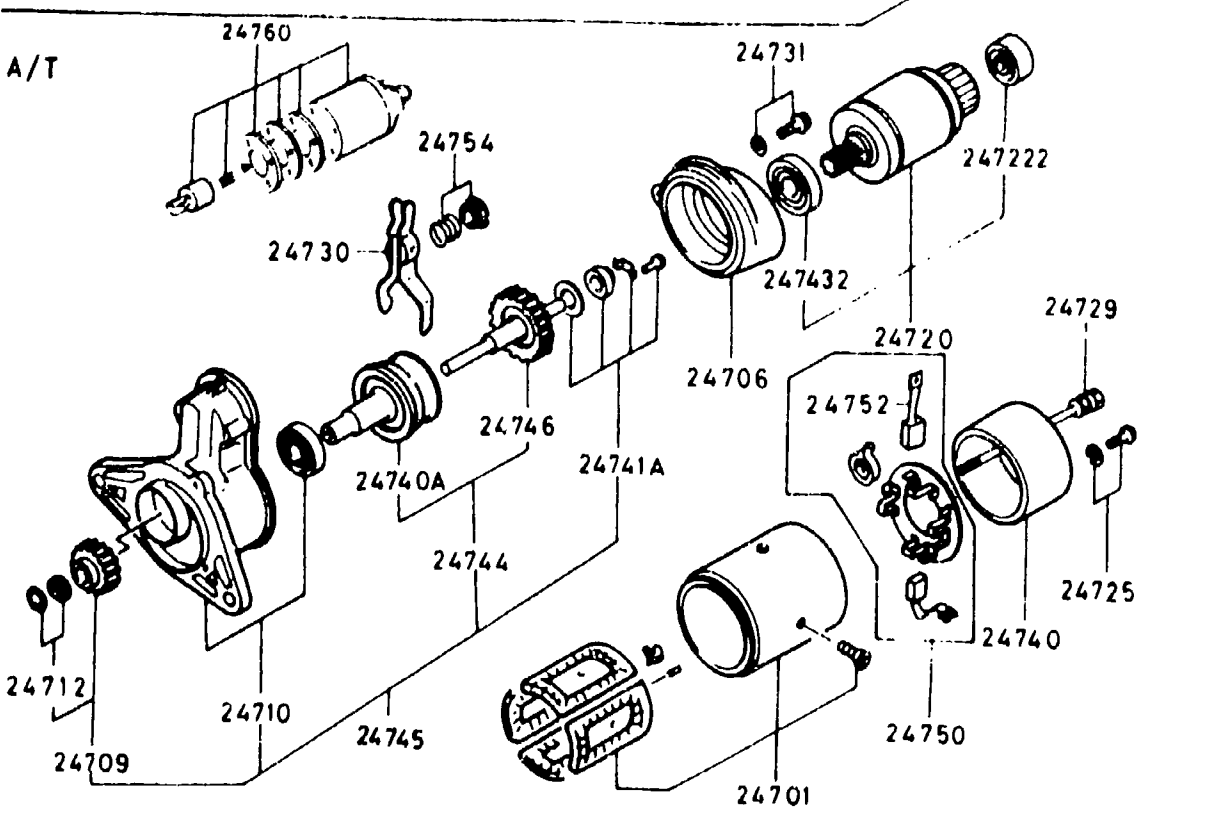


ITEM NO.	D-CODE	DESCRIPTION	PART NO.	QTY	MODEL/DESCRIPTION	REMARKS
18 400		STARTER	N221-18-400R	1	M/T, REMAN.	
			N250-18-400R	1	A/T, REMAN.	
		REFER TO PARTS BULL. NOS. R-1 & R-5 FOR MORE INFO.				
24 701		YOKE	N221-24-701	1	M/T	
			N250-24-730	1	A/T	
24 706		BRACKET, CENTER	N202-24-721	1	A/T	
24 709		PINION	N202-24-709	1	A/T	
24 710		BRACKET, FRONT	N221-24-710	1	M/T	
			N250-24-710A	1	A/T	
24 712		STOPPER SET	N202-24-712	1	A/T	
			0426-24-712A	1	M/T	
24 715		SLEEVE, BEARING	N221-24-715	1	M/T	
24 720		ARMATURE	N202-24-705	1	A/T	
			N221-24-705	1	M/T	
24 722		CLUTCH, OVER RUNNING	N221-24-709	1	M/T	
24 7222		BEARING	N202-24-722	1	A/T	
24 725		SCREW SET	N202-24-728	1	A/T	
			0426-24-725	1	M/T	
24 726		WASHER SET	0426-24-726	1	M/T	
24 729		BOLT	N202-24-729A	2	A/T	
24 730		LEVER	N221-24-730	1	M/T	
			N250-24-716	1	A/T	
24 731		BOLT SET	N202-24-731	1	A/T	
			1030-24-731A	1	M/T	
24 740		BRACKET, REAR	N202-24-720	1	A/T	
			0222-24-740	1	M/T	
24 740A		SHAFT	N202-24-740	1	A/T	
24 741		SLEEVE, BEARING	0222-24-741	1	M/T	
24 741A		COVER SET	N202-24-741	1	A/T	
24 7432		BEARING	N202-24-743	1	A/T	
24 744		GEAR SET	N202-24-744	1	A/T	
24 745		SHAFT, CLUTCH	N202-24-745	1	A/T	
24 746		GEAR	N202-24-746	1	A/T	
24 750		HOLDER, BRUSH	E301-24-750	1	M/T	
			N202-24-750	1	A/T	
24 752		SPRING, BRUSH	0222-24-752A	4	A/T	
24 753		BRUSH, YOKE	E301-24-753	2	M/T	
24 754		SPRING SET	N226-24-754	1	M/T	
			0426-24-754	1	A/T	
24 760		SWITCH	N226-24-760	1	M/T	

1840A-2 STARTER



M/T

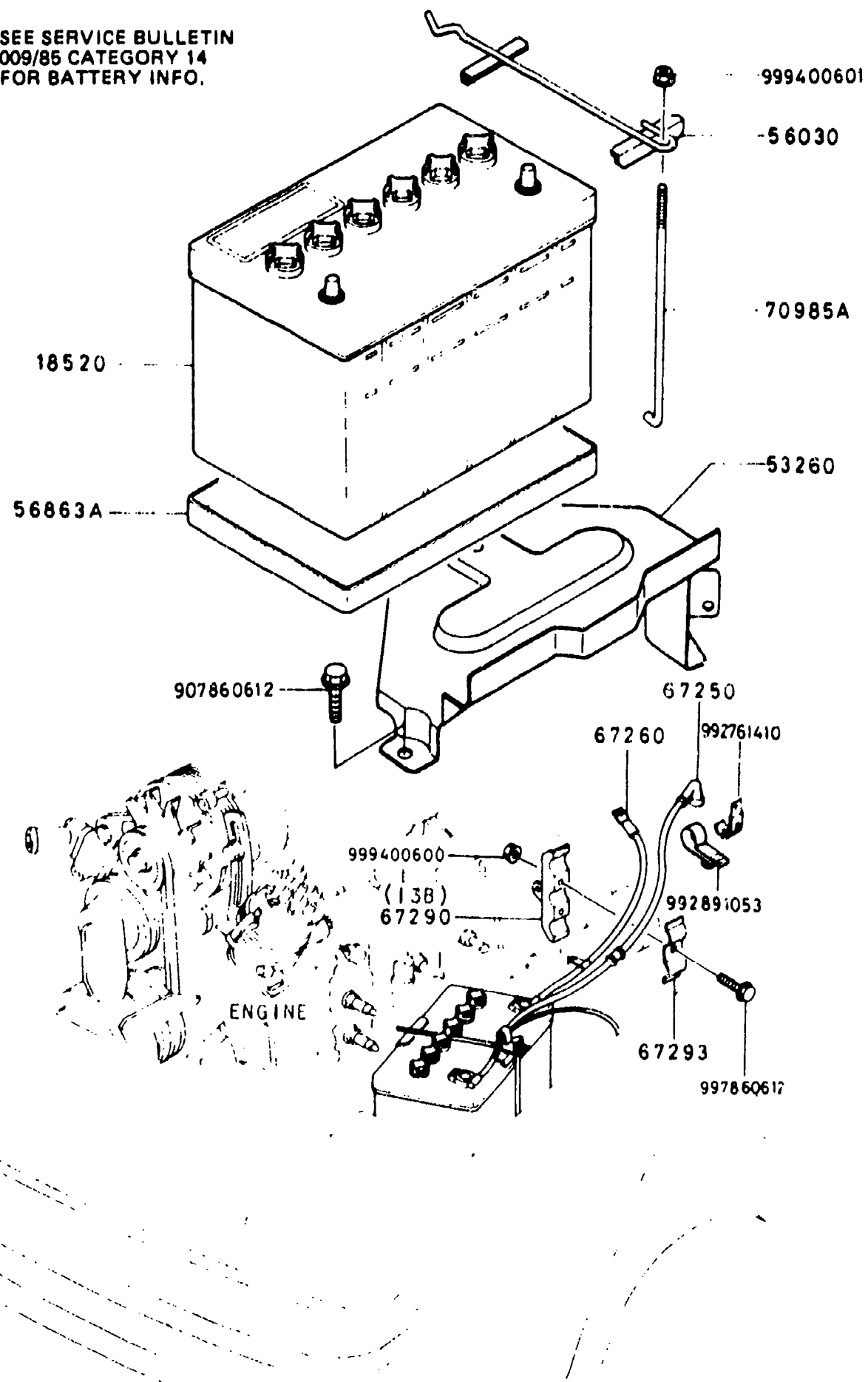


A/T

ITEM NO	D-CODE	DESCRIPTION	PART NO.	QTY	MODEL/DESCRIPTION	REMARKS
	24 760 (CONT'D)		8872-24-736	1	A/T	

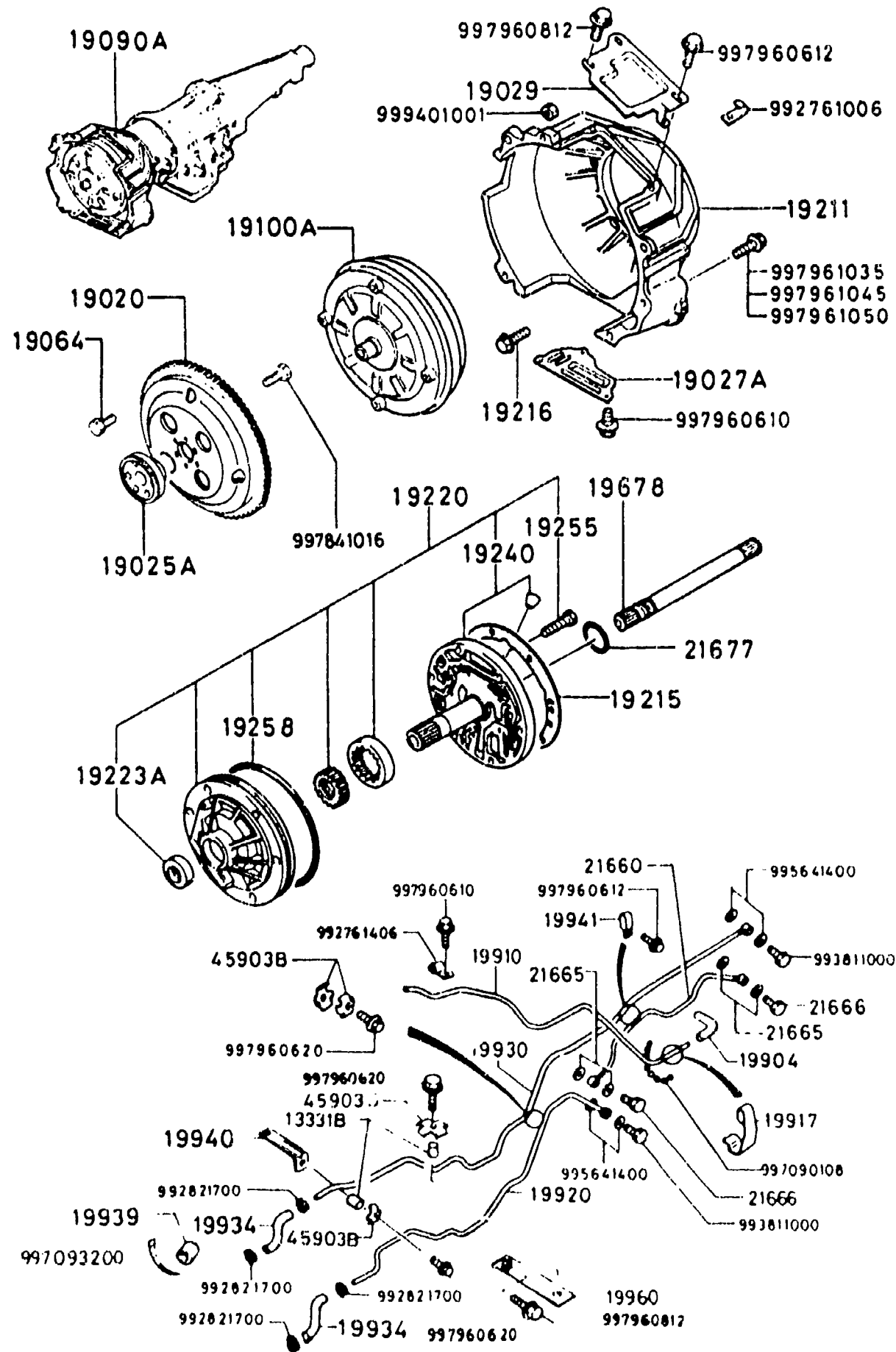
1850A-1 BATTERY & CABLES

• SEE SERVICE BULLETIN
009/85 CATEGORY 14
FOR BATTERY INFO.



ITEM NO	N-CODE	DESCRIPTION	PART NO.	QTY	MODEL/DESCRIPTION	REMARKS
18 520		BATTERY	0000-80-124F	1		
		SEE ACCESSORY BULLETIN NO XG-4 FOR MORE BATTERY INFO.				
53 260		CARRIER, BATTERY	FA54-54-260	1		
56 030		CLAMP, BATTERY	FA54-56-030A	1		
56 863A		TRAY, BATTERY	2113-54-295	1		
67 250		CABLE, POSITIVE-BATTERY	FA54-67-250E	1	12A M-T (S, GS, GSU)	
			FA55-67-250F	1	A-T	
			FA66-67-250E	1	13B (GSL-SE)	
67 260		CABLE, GROUND BATTERY	FA54-67-260B	1		
67 290		CLIP, CABLE	1011-67-291A	1	13B (GSL-SE)	
67 293		CLIP, CABLE	1011-67-293	1		
70 985A		BOLT, CLAMP	0613-65-857A	1		

1910A-1 TORQUE CONVERTER, OIL PUMP & PIPING (AUTOMATIC)

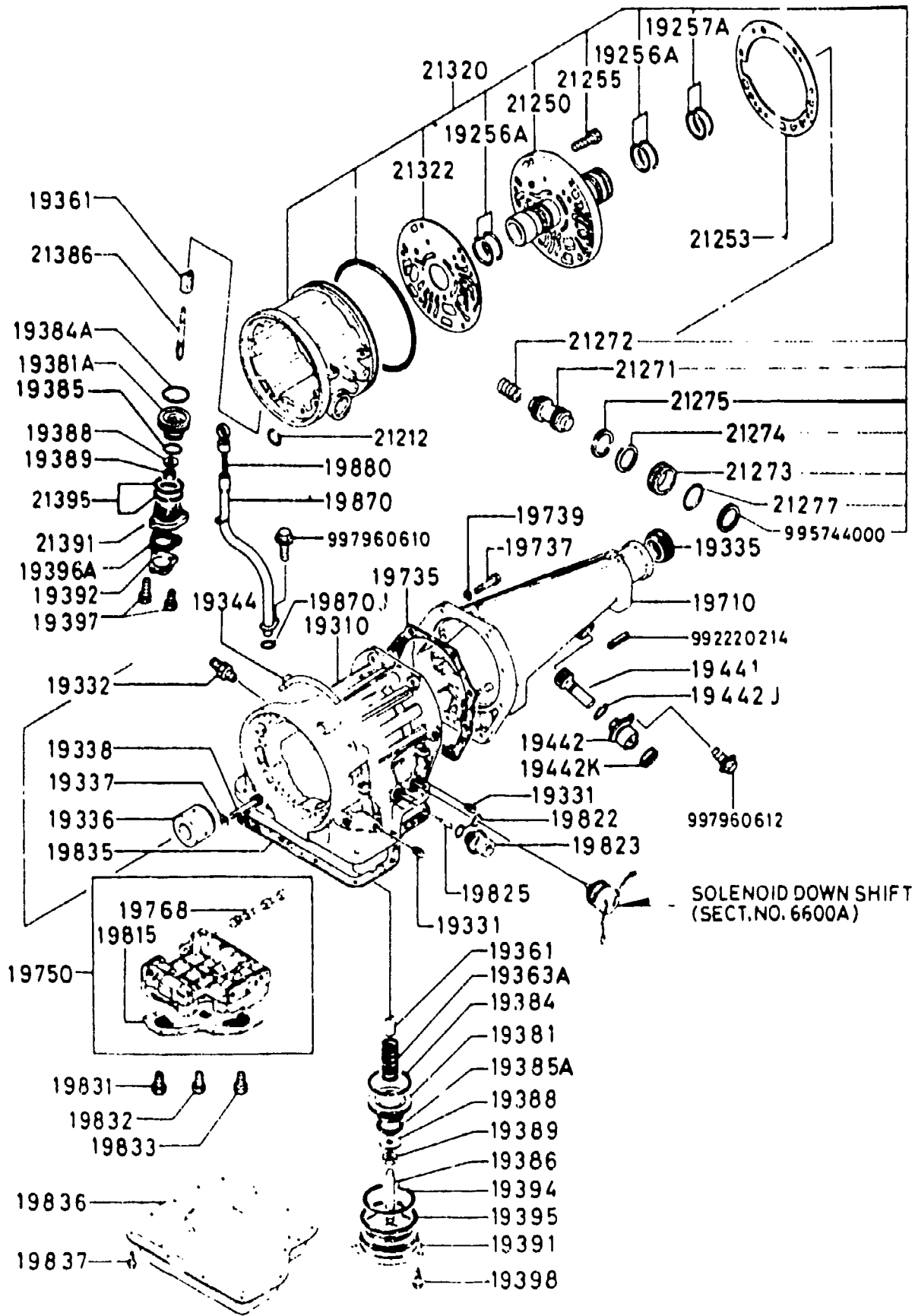


ITEM NO	D-CODE	DESCRIPTION	PART NO	QTY	MODEL/DESCRIPTION	REMARKS
13 331B		SPACER, OIL PIPE	2850-13-331	2		
19 020		PLATE, DRIVE	BU02-19-020B	1		
19 0255		ADAPTER	0842-19-025	1		
19 027A		COVER, UNDER	BU02-19-027	1		
19 029		COVER, TOP	BU02-19-028B	1		
19 064		BOLT	3649-19-064A	4		
19 090A		TRANSMISSION	BU16-19-090C	1		
19 100A		CONVERTER, TORQUE	BU06-19-100A	1		
19 211		HOUSING, CONVERTER	BU02-19-211C	1		
19 215		GASKET, OIL PUMP	BU01-19-215	1		
19 216		BOLT	BU01-19-216	6		
19 220		PUMP, OIL	BU16-19-220A	1		
19 223A		SEAL, OIL	0338-19-223A	1		
19 240		COVER	BU16-19-240A	1		
19 255		BOLT	0338-19-255	5		
19 258		SEAL, CUT RING	0338-19-258	1		
19 678		SHAFT, INPUT	BU01-21-678	1		
19 904		HOSE, VACUUM	0338-19-904A	1		
19 910		PIPE, VACUUM	BU11-19-910	1		
19 917		CLIP	0436-19-917	1		
19 920		PIPE, OIL	BU06-19-920A	1		
19 930		PIPE, OIL	BU06-19-930A	1		
19 934		HOSE, OIL	BU06-19-934	2		
19 939		GUIDE, OIL HOSE	1098-19-939	2		
19 940		BRACKET, PIPE	BU06-19-940	1		
19 941		CLIP	BU01-19-941	1		
19 960		BRACKET	AT09-19-961	1		
21 660		TUBE, GOVERNOR	BU01-21-660A	1		
21 665		WASHER SEAL	BU01-21-665	4		
21 666		BOLT, CONNECTOR	BU01-21-666	2		
21 677		O-RING	BU01-21-677	1		
45 903B		CLIP	8173-45-903	4		

SECTION INDEX -- ENGINE

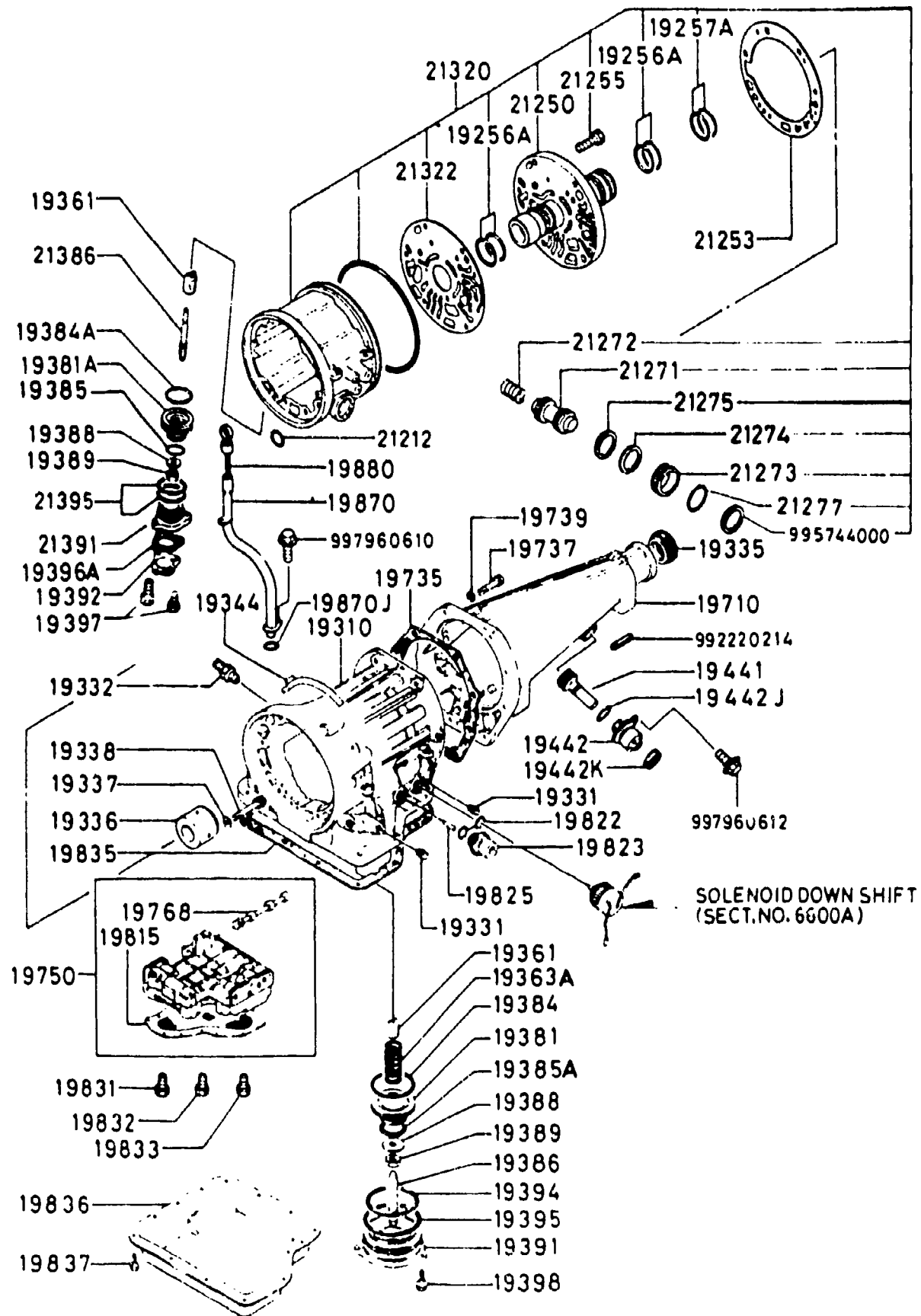
STARTING LOCATION	SECT NO.	SECTION NAME	STARTING LOCATION	SECT NO.	SECTION NAME	STARTING LOCATION	SECT NO.	SECTION NAME
1 - C 3	1000A	SHORT ENGINE & GASKET SETS	1 - H 6	1800A	ENGINE ELECTRICAL SYSTEM			
1 - D 3	1030A	ROTOR HOUSING	1 - I 6	1820A	DISTRIBUTOR			
1 - E 3	1040A	OIL PAN, FRONT & REAR HOUSING	1 - J 6	1830A	ALTERNATOR			
1 - G 3	1100A	ECCENTRIC SHAFT & FLYWHEEL	1 - K 6	1840A	STARTER			
1 - H 3	1110A	ROTOR & RELATED	1 - M 6	1850A	BATTERY & CABLES			
1 - I 3	1300A	INTAKE MANIFOLD (12A) (S.GS.GSL)	1 - N 6	1910A	TORQUE CONVERTER, OIL PUMP & PIPING (AUTOMATIC)			
1 - J 3	1300AA	INTAKE MANIFOLD (13B) (GSL-SE)						
1 - K 3	1310A	EXHAUST MANIFOLD (12A) (S.GS.GSL)	1 - C 7	1920A	TRANSMISSION CASE & MAIN CONTROLS (AUTOMATIC)			
1 - L 3	1310AA	EXHAUST MANIFOLD (13B) (GSL-SE)	1 - E 7	1930A	CLUTCH & PLANETARY GEAR (AUTOMATIC)			
1 - M 3	1320A	FUEL SYSTEM (12A) (S.GS.GSL)	1 - G 7	1940A	LOW, REVERSE & GOVERNOR (AUTOMATIC)			
1 - C 4	1320AA	FUEL SYSTEM (13B) (GSL-SE)	1 - H 7	1950A	MANUAL LINKAGE (AUTOMATIC)			
1 - E 4	1330A	AIR CLEANER (12A) (S.GS.GSL)	1 - I 7	1960A	GASKET & SEAL KIT (AUTOMATIC)			
1 - F 4	1330AA	AIR CLEANER (13B) (GSL-SE)						
1 - G 4	1350A	STARTING ASSIST SYSTEM (12A) (S.GS.GSL) (FEDERAL ONLY)						
1 - H 4	1350AA	STARTING ASSIST SYSTEM (13B) (GSL-SE) (FEDERAL ONLY)						
1 - I 4	1359A	CARBURETOR & REPAIR KIT (12A) (S.GS.GSL)						
1 - J 4	1360A	CARBURETOR COMPONENTS (12A) (S.GS.GSL)						
1 - L 4	1371A	AIR PUMP & AIR CONTROL VALVE (12A) (S.GS.GSL)						
1 - M 4	1371AA	AIR PUMP & AIR CONTROL VALVE (13B) (GSL-SE)						
1 - N 4	1380A	EMISSION CONTROLS (12A) (S.GS.GSL)						
1 - C 5	1380AA	EXHAUST SIDE EMISSION CONTROLS (13B) (GSL-SE)						
1 - E 5	1400A	OIL PUMP & FILTER (12A) (S.GS.GSL)						
1 - F 5	1400AA	OIL PUMP & FILTER (13B) (GSL-SE)						
1 - H 5	1500A	COOLING SYSTEM (12A) (S.GS.GSL)						
1 - I 5	1500AA	COOLING SYSTEM (13B) (GSL-SE)						
1 - K 5	1580A	COMPRESSOR BRACKET, PULLEY & BELT						
1 - L 5	1600A	CLUTCH DISC & COVER						
1 - M 5	1700A	TRANSMISSION CASE (MANUAL)						
1 - C 6	1710A	TRANSMISSION GEARS (MANUAL)						
1 - G 6	1720A	CHANGE CONTROLS (MANUAL)						

1920A-1 TRANSMISSION CASE & MAIN CONTROLS (AUTOMATIC)



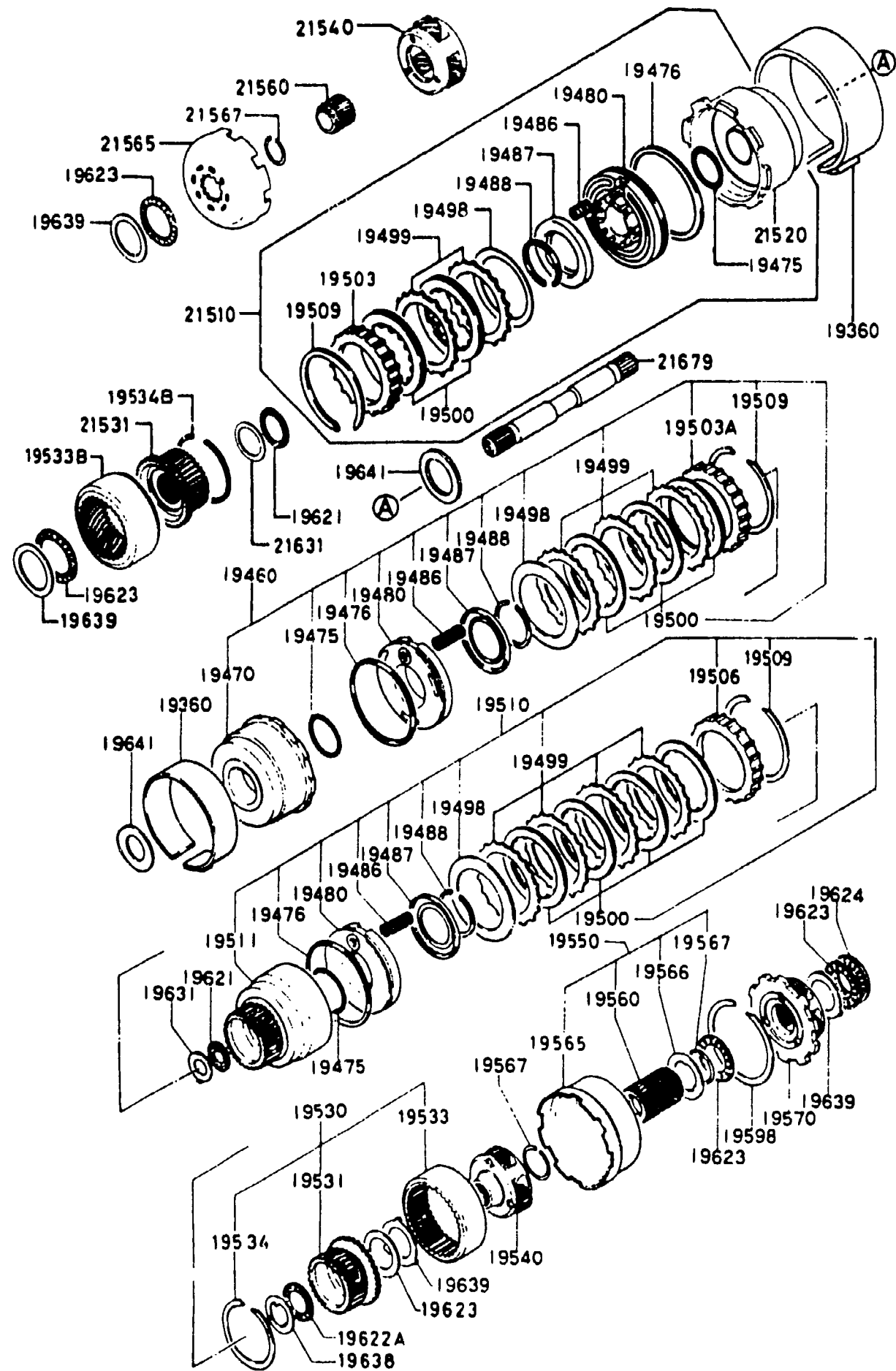
ITEM NO.	D-CODE	DESCRIPTION	PART NO.	QTY	MODEL/DESCRIPTION	REMARKS
19 256A		RING, SEAL	BU01-19-256	4		
19 257A		RING, SEAL	BU01-19-257	2		
19 310		CASE, T/MISSION	BU06-19-310	1		
19 331		PLUG, SQUARE HEAD	0338-19-331A	2		
19 332		CONNECTOR, STRAIGHT	BU01-19-12A	1		
19 335		SEAL, OIL	0437-17-335A	1		
19 336		RACE, INNER	0338-19-336	1		
19 337		WASHER, PLAIN	0338-19-337	8		
19 338		BOLT	0338-19-338	8		
19 344		BREATHER, AIR	0397-19-340	1		
19 361		STRUT, BAND	0338-19-361B	2		
19 363A		SPRING, PISTON RETURN	BU06-19-363	1		
19 381		PISTON, BAND SERVO	0842-19-381	1		
19 381A		PISTON, BAND SERVO	3959-19-381	1		
19 384		SEAL, PISTON	0338-19-384	1		
19 384A		SEAL, PISTON	3959-19-384	1		
19 385		SEAL, PISTON	0338-19-385A	1		
19 385A		SEAL, PISTON	0842-19-385	1		
19 386		STEM, PISTON	0338-19-386A	1		
19 388		WASHER, PLAIN	0338-19-388A	2		
19 389		NUT	0338-19-389	2		
19 391		RETAINER, SERVO	BU01-19-391	1		
19 392		COVER, SERVO	1758-19-392A	1		
19 394		SEAL, LATHE CUT	0842-19-394	1		
19 395		O-RING	0338-19-395	1		
19 396A		GASKET	1758-19-394A	2		
19 397		BOLT	1758-19-397	3		
19 398		BOLT	0338-19-398	3		
19 441		GEAR, DRIVEN	8057-17-441C	1		
19 442		SLEEVE, SPEEDO GEAR	1011-17-442A	1		
19 442J		O-RING	1011-17-443	1		
19 442K		SEAL, OIL	9958-60-8166	1		
19 710		HOUSING, EXTENSION	BU06-19-710	1		
19 735		GASKET, EXTENSION	0338-19-735	1		
19 737		BOLT	0338-19-737	8		
19 739		WASHER, PLAIN	0338-19-739	8		
19 750		VALVE, CONTROL	BU16-19-750A	1		
19 768		VALVE, MANUAL	0338-19-768	1		
19 815		STRAINER, OIL	BU01-19-815	1		
19 822		SEAL, O-RING	0338-19-822	2		

1920A-2 TRANSMISSION CASE & MAIN CONTROLS (AUTOMATIC)



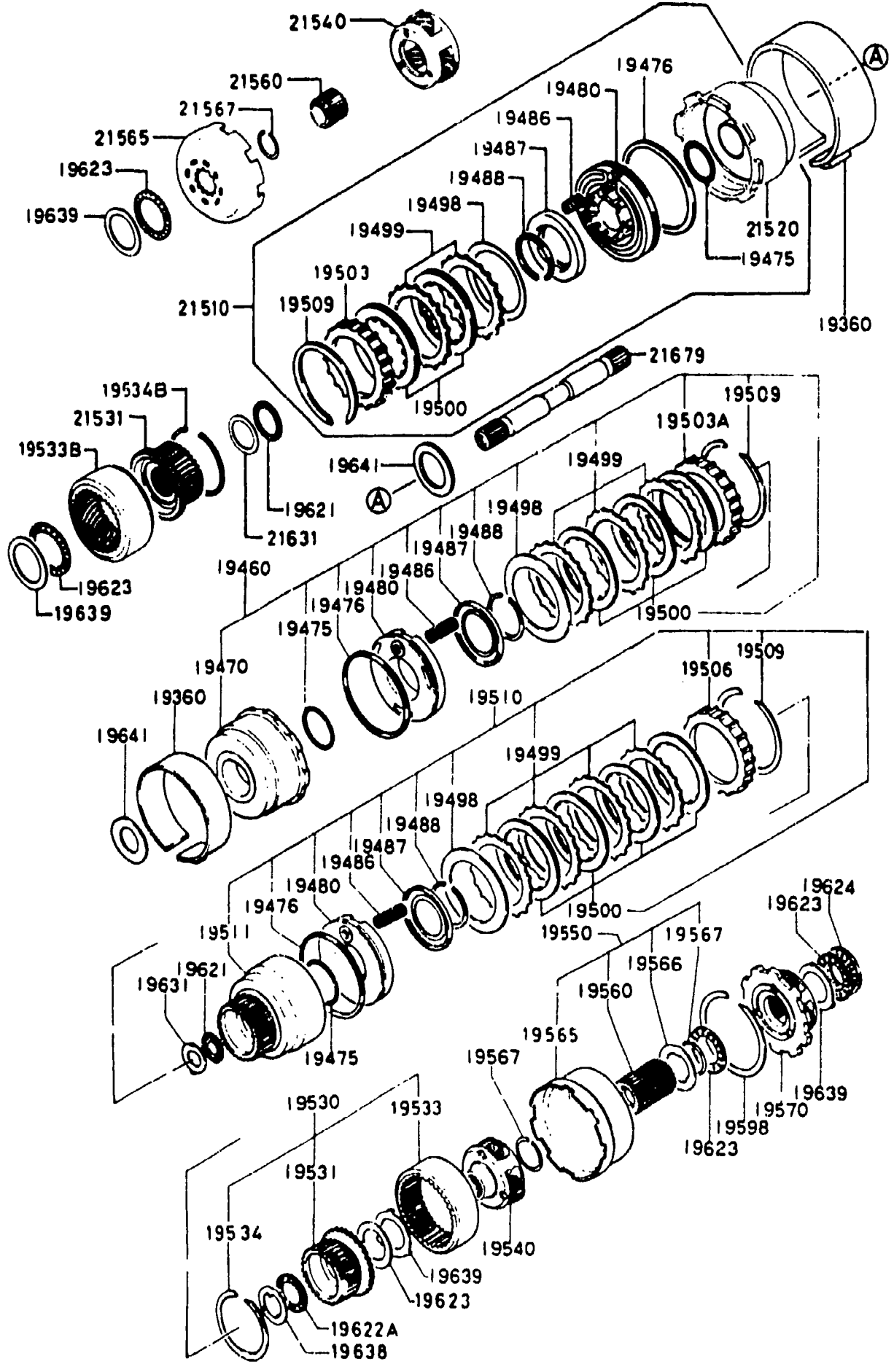
ITEM NO.	D-CODE	DESCRIPTION	PART NO.	QTY	MODEL/DESCRIPTION	REMARKS
19 823		DIAPHRAGM, VACUUM	BT07-19-823	1		
19 825		ROD, DIAPHRAGM	FT01-19-824	1	(L=29.0)	
			0338-19-829	1	(L=29.5)	
			0338-19-825	1	(L=30.0)	
			0338-19-826	1	(L=31.0)	
			0338-19-827	1	(L=31.5)	
19 831		BOLT, CONTROL VALVE	0338-19-831	3		
19 832		BOLT, CONTROL VALVE	0338-19-832	2		
19 833		BOLT, CONTROL VALVE	0338-19-833	2		
19 835		GASKET, OIL PAN	0338-19-835B	1		
19 836		PAN, OIL	0338-19-836A	1		
19 837		BOLT, OIL PAN	0338-19-837	18		
19 870		TUBE, OIL LEVEL	BU06-19-870	1		
19 870J		O-RING	9954-10-1601	1		
19 880		DIPSTICK	BU06-19-880	1		
21 212		O-RING	BU01-21-212	1		
21 250		SUPPORT, DRUM	BU10-21-250	1		
21 253		GASKET, DRUM SUPPORT	BU01-21-253	1		
21 255		BOLT	BU01-21-255	5		
21 271		PISTON, ACCUMULATOR	BU10-21-271	1		
21 272		SPRING, ACCUMULATOR	BU01-21-272A	1		
21 273		PLUG, ACCUMULATOR	BU01-21-273	1		
21 274		SEAL, O-RING	BU01-21-274	1		
21 275		SEAL, O-RING	BU10-21-275	1		
21 277		O-RING	BU01-21-277	1		
21 320		CASE, OVER DRIVE	BU05-21-320A	1		
21 322		GASKET, O/DRIVE CASE	BU01-21-322	1		
21 386		STEM, PISTON BAND	BU01-21-386	1		
21 391		RETAINER, SERVO	BU01-21-391	1		
21 395		O-RING	BU01-21-395	2		

1930A-1 CLUTCH & PLANETARY GEAR (AUTOMATIC)



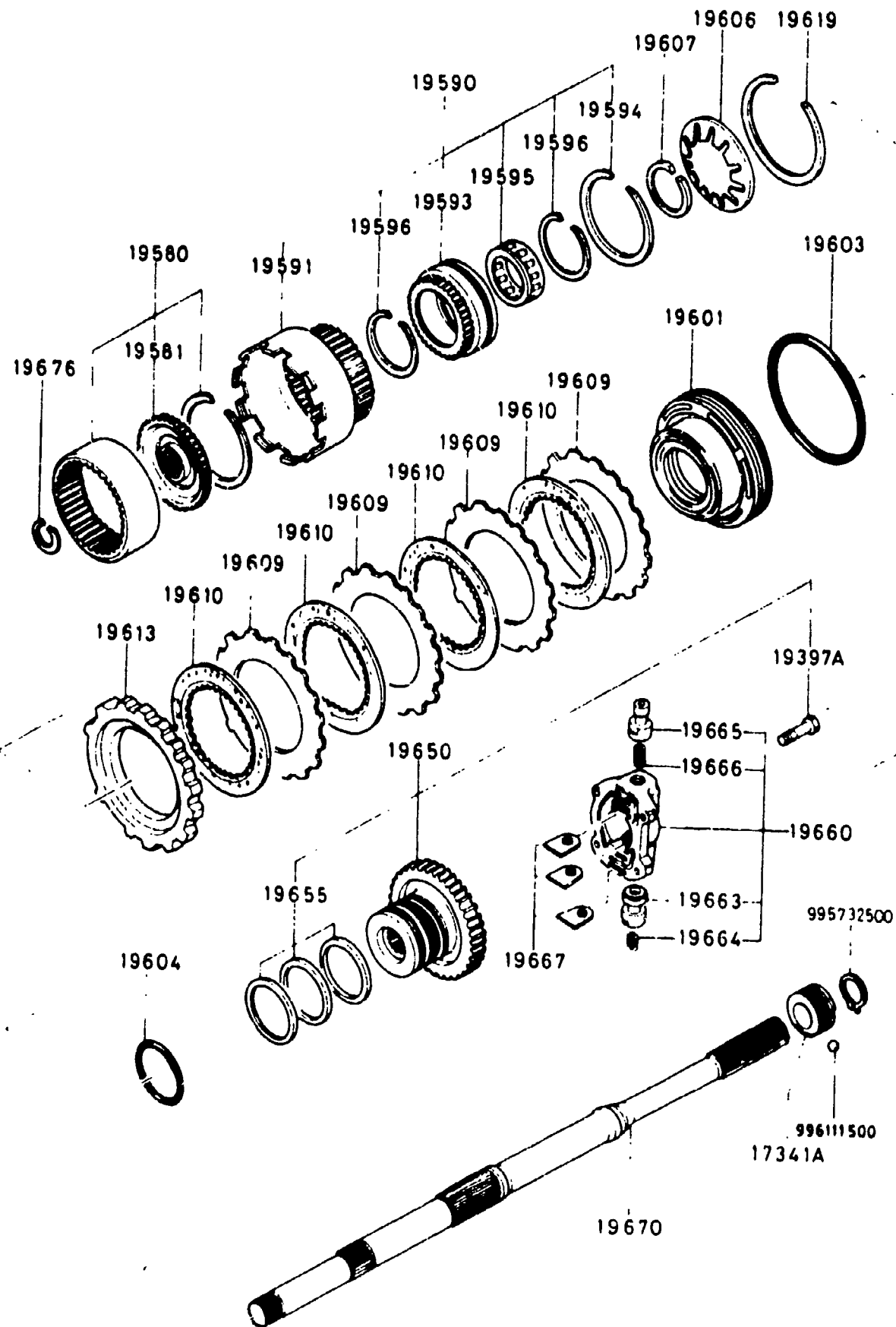
ITEM NO.	D-CODE	DESCRIPTION	PART NO.	QTY	MODEL/DESCRIPTION	REMARKS
	19 360	BAND, BRAKE	0338-19-360B	2		
	19 460	CLUTCH, FRONT	3959-19-460A	1		
	19 470	DRUM, CLUTCH	3959-19-470A	1		
	19 475	SEAL, O-RING	0338-19-475	3		
	19 476	SEAL, LATHE CUT	0338-19-476	3		
	19 480	PISTON, CLUTCH	0338-19-480	3		
	19 486	SPRING, PISTON RETURN	0338-19-486	30		
	19 487	RETAINER, SPRING	0338-19-487	3		
	19 488	RING, SNAP	0338-19-488	3		
	19 498	PLATE, DISHED	BU17-19-498	3		
	19 499	PLATE, DRIVEN	0338-19-499	9		
	19 500	PLATE, DRIVE	BU17-19-500A	9		
	19 503	PLATE, RETAINING	1758-19-503	1	(T=7.2)	
			1758-19-504	1	(T=7.4)	
			1758-19-505	1	(T=7.6)	
			1758-19-506	1	(T=7.8)	
			1758-19-507	1	(T=8.0)	
			1758-19-508	1	(T=8.2)	
	19 503A	PLATE, RETAINING	3959-19-503	1	(T=5.0)	
			3959-19-504	1	(T=5.2)	
			3959-19-505	1	(T=5.4)	
			3959-19-506	1	(T=5.6)	
			3959-19-507	1	(T=5.8)	
			3959-19-508	1	(T=6.0)	
			3959-19-509	1	(T=6.2)	
	19 506	PLATE, RETAINING	BU07-19-507	1		
	19 509	RING, SNAP	0338-19-509	3		
	19 510	CLUTCH, REAR	BU07-19-510	1		
	19 511	DRUM, REAR CLUTCH	1758-19-511	1		
	19 530	HUB, REAR CLUTCH	0338-19-530	1		
	19 531	HUB, REAR CLUTCH	0338-19-531	1		
	19 533	GEAR, INTERNAL	0338-19-533A	1		
	19 533B	GEAR, INTERNAL	BU03-19-533	1		
	19 534	RING, SNAP	BU03-19-534	1		
	19 534B	RING SNAP	0338-19-534	1		
	19 540	CARRIER, FRONT	0338-19-540	1		
	19 550	GEAR, SHELL & SUN	0338-19-550	1		
	19 560	GEAR, SUN	0338-19-560	1		
	19 565	SHELL, CONNECTING	0338-19-565	1		
	19 566	RACE, SHELL BEARING	0338-19-566	1		

1930A-2 CLUTCH & PLANETARY GEAR (AUTOMATIC)



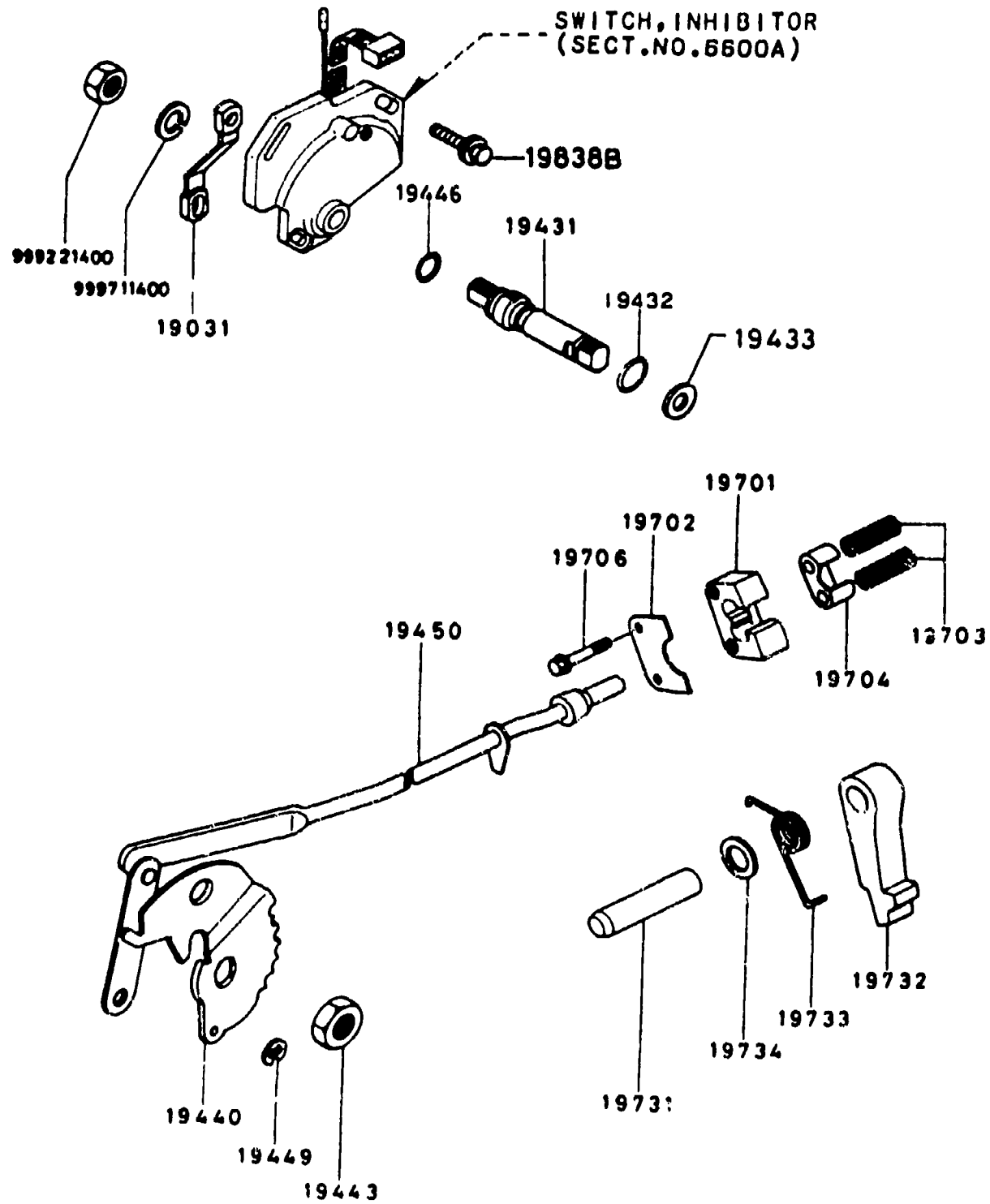
ITEM NO.	D-CODE	DESCRIPTION	PART NO.	QTY	MODEL/DESCRIPTION	REMARKS
19 567		RING, SNAP	0338-19-567	1		
19 570		CARRIER, REAR	0338-19-570	1		
19 598		RING, SNAP	0338-19-598	1		
19 621		BEARING, NEEDLE	0338-19-621	2		
19 622A		BEARING, NEEDLE	0338-19-622	2		
19 623		BEARING, NEEDLE	0338-19-623A	5		
19 624		BEARING, NEEDLE	0338-19-624	1		
19 631		RACE, BRG. PUMP COVER	0338-19-631	1	(T=1.2)	
			0338-19-632	1	(T=1.4)	
			0338-19-633	1	(T=1.6)	
			0338-19-634	1	(T=1.8)	
			0338-19-635	1	(T=2.0)	
			0338-19-636	1	(T=2.2)	
19 638		RACE, BRG. RR. CLUTCH	0436-19-656	2		
19 639		RACE, BEARING	0338-19-639	4		
19 641		WASHER, FRONT CLUTCH	0338-19-648	2	(T=1.3)	
			0338-19-646	2	(T=1.5)	
			0338-19-647	2	(T=1.7)	
			0338-19-641	2	(T=1.9)	
			0338-19-642	2	(T=2.1)	
			0338-19-643	2	(T=2.3)	
			0338-19-644	2	(T=2.5)	
			0338-19-645	2	(T=2.7)	
21 510		CLUTCH, DIRECT	BU03-21-510	1		
21 520		DRUM, DIRECT	BU03-21-520	1		
21 531		HUB, OVERDRIVE CLUTCH	BU03-21-531	1		
21 540		CARRIER, OVER DRIVE	BU03-21-540	1		
21 560		GEAR, OVERDRIVE	BU03-21-560	1		
21 565		CONNECTING, SHELL	BU03-21-565	1		
21 567		RING, SNAP	BU03-21-567	1		
21 631		RACE, BRG. HUB CLUTCH	BU01-21-631	1	(T=1.2)	
			BU01-21-632	1	(T=1.4)	
			BU01-21-633	1	(T=1.6)	
			BU01-21-634	1	(T=1.8)	
			BU01-21-635	1	(T=2.0)	
			BU01-21-636	1	(T=2.2)	
21 679		SHAFT, INTERMEDIATE	BU01-21-679	1		

1940A-1 LOW, REVERSE & GOVERNOR (AUTOMATIC)



ITEM NO.	D-CODE	DESCRIPTION	PART NO.	QTY	MODEL/DESCRIPTION	REMARKS
17 341A		GEAR, SPEEDO. DRIVE	3728-17-341A	1		
19 397A		BOLT	0338-19-398	4		
19 580		FLANGE	0338-19-580	1		
19 581		FLANGE, DRIVE	0338-19-581	1		
19 590		DRUM, CONNECTING	0338-19-590	1		
19 591		DRUM, CONNECTING	0338-19-591	1		
19 593		RACE, OUTER	0338-19-593	1		
19 594		RING, SNAP	0338-19-594	1		
19 595		CLUTCH, ONE-WAY	0338-19-595	1		
19 596		RING, SNAP	0338-19-596	2		
19 601		PISTON, LOW & REVERSE	8T08-19-600	1		
19 603		SEAL, PISTON	0338-19-603	1		
19 604		SEAL, O-RING	0338-19-604	1		
19 606		SPRING, PISTON	0338-19-606	1		
19 607		RING, SNAP	0338-19-607	1		
19 609		PLATE, DRIVEN	0338-19-609	4		
19 610		PLATE, DRIVE	0338-19-610A	4		
19 613		PLATE, RETAINING	1758-19-613	1	(T=7.8)	
			1758-19-614	1	(T=8.0)	
			1758-19-615	1	(T=8.2)	
			1758-19-616	1	(T=8.4)	
			1758-19-617	1	(T=8.6)	
			1758-19-618	1	(T=8.8)	
19 619		RING, SNAP	0338-19-619	1		
19 650		DISTRIBUTOR, OIL	0842-19-650	1		
19 655		RING, SEAL	0338-19-655	3		
19 660		GOVERNOR	0842-19-660	1		
19 663		VALVE	0338-19-663	1		
19 664		SPRING	0338-19-664	1		
19 665		VALVE	0842-19-665	1		
19 666		SPRING, GOVERNOR	0338-19-666	1		
19 667		PLATE, RETAINER	0338-19-667	3		
19 670		SHAFT	BU06-19-670	1		
19 676		RING	0338-19-676	1		

1950A-1 MANUAL LINKAGE (AUTOMATIC)

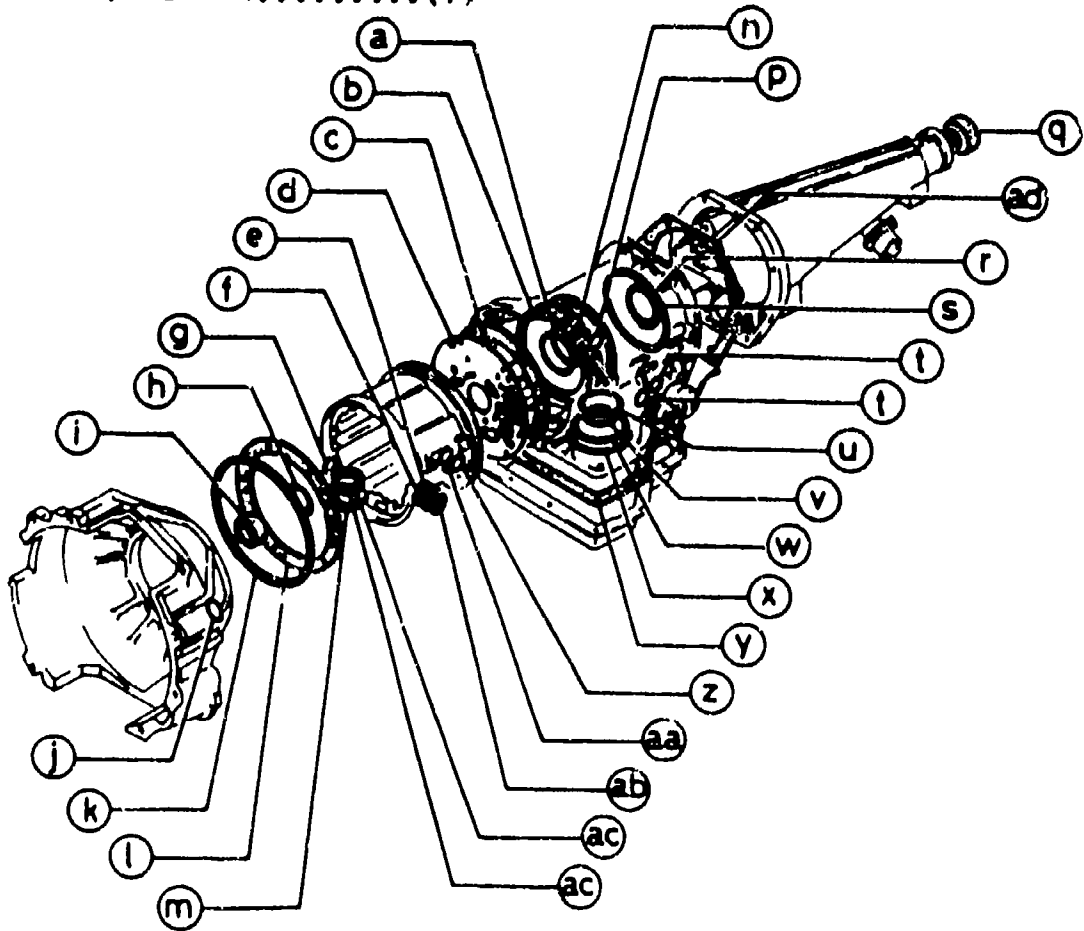


ITEM NO.	D-CODE	DESCRIPTION	PART NO.	QTY	MODEL/DESCRIPTION	REMARKS
19 031		LEVER, SELECT	BU06-19-031	1		
19 431		SHAFT, MANUAL	0338-19-431	1		
19 432		O-RING	0338-19-432	1		
19 433		WASHER	0338-19-433A	1		
19 440		PLATE, MANUAL	0338-19-440	1		
19 443		NUT, SHAFT	0338-19-443	1		
19 446		O-RING	0338-19-446	1		
19 449		RING, SNAP	0338-19-449	1		
19 450		ROD, PARKING	0338-19-450A	1		
19 701		SUPPORTER, ACTUATOR	0338-19-701A	1		
19 702		PLATE, RETAINING	0338-19-702A	1		
19 703		SPRING, BALL PARK	0338-19-703	2		
19 704		RETAINER	0338-19-704	1		
19 706		BOLT	0338-19-706	2		
19 731		SHAFT, PARKING PAWL	0338-19-731	1		
19 732		PAWL, PARKING	0338-19-732	1		
19 733		SPRING, PAWL RETURN	0338-19-733C	1		
19 734		SPACER, DOWEL	0338-19-734A	1		
19 8388		BOLT	1758-19-838	2		

1980A-1 GASKET & SEAL KIT (AUTOMATIC)

22900

- a-SEAL, "O" RING.....(3)
- b-SEAL.....(3)
- c-GASKET, DRUM SUPPORT.....(1)
- d-GASKET, DRIVE CASE.....(1)
- e-SEAL, "O" RING.....(1)
- f-SEAL, "O" RING.....(1)
- g-RING, "O".....(1)
- h-RING, "O".....(1)
- i-SEAL, OIL.....(1)
- j-RING, "O".....(1)
- k-SEAL.....(1)
- l-GASKET, OIL PUMP.....(1)
- m-RING, "O".....(1)
- n-RING, "O".....(1)
- p-RING, "O".....(1)
- q-SEAL, OIL.....(1)
- r-SEAL, "O" RING.....(1)
- s-SEAL, PISTON.....(1)
- t-SEAL, "O" RING.....(2)
- u-SEAL, PISTON.....(1)
- v-SEAL, PISTON.....(1)
- w-SEAL.....(1)
- x-GASKET.....(1)
- y-GASKET, OIL PAN.....(1)
- z-RING, "O".....(1)
- aa-RING, "O".....(1)
- ab-RING, "O".....(1)
- ac-RING, "O".....(2)
- ad-GASKET, EXTENTION.....(1)



ITEM NO.	D-CODE	DESCRIPTION	PART NO.	QTY	MODEL/DESCRIPTION	REMARKS
22 900		GASKET & SEAL KIT	BU01-99-190A	1		



ENGINE



CHASSIS



ENGINE



CHASSIS



ENGINE

CHASSIS



ENGINE

CHASSIS




ENGINE



CHASSIS



ENGINE



CHASSIS



ENGINE

CHASSIS




ENGINE

CHASSIS



ENGINE



CHASSIS



ENGINE

CHASSIS



ENGINE



CHASSIS



ENGINE



CHASSIS



ENGINE

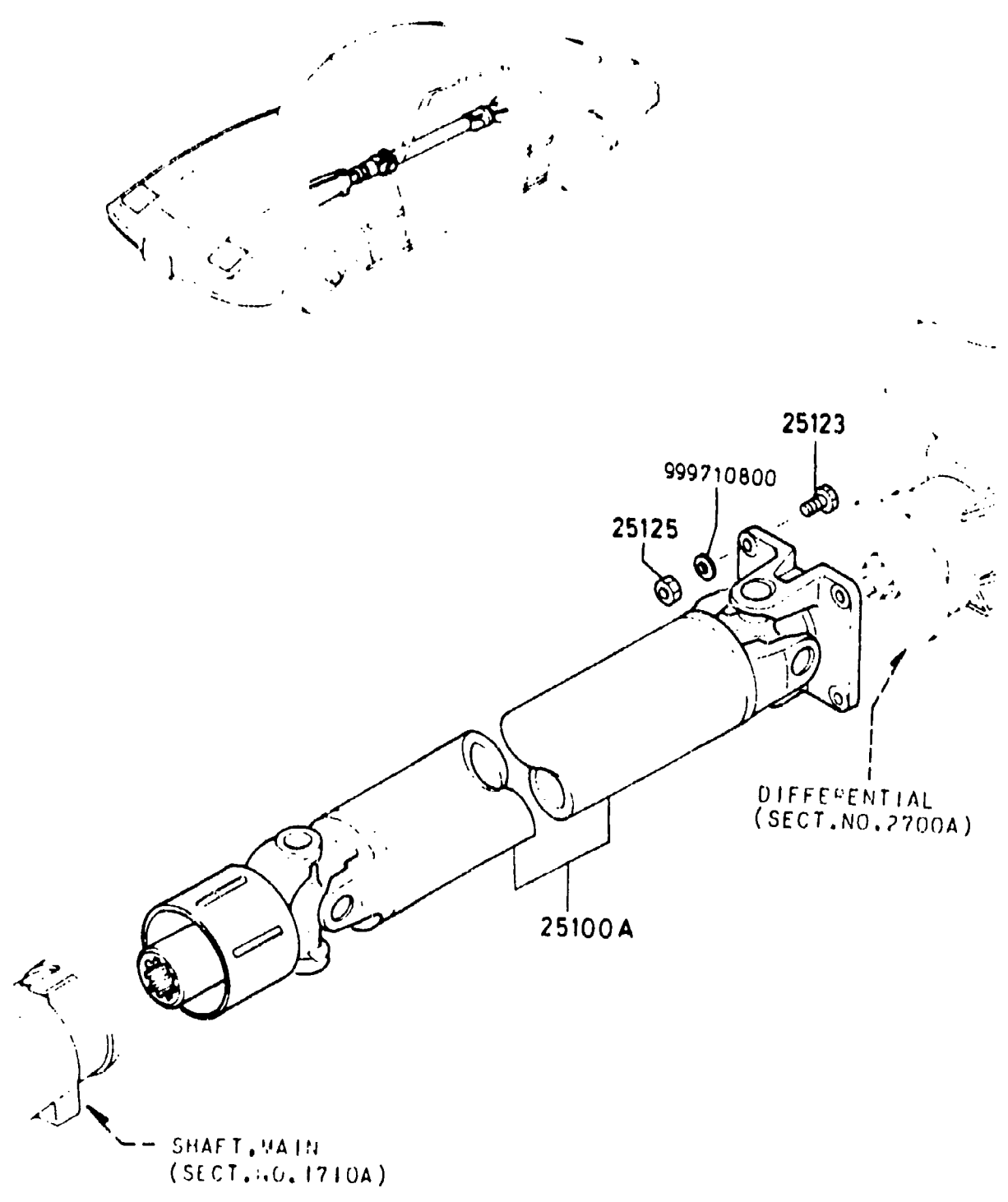
CHASSIS

SECTION INDEX -- CHASSIS

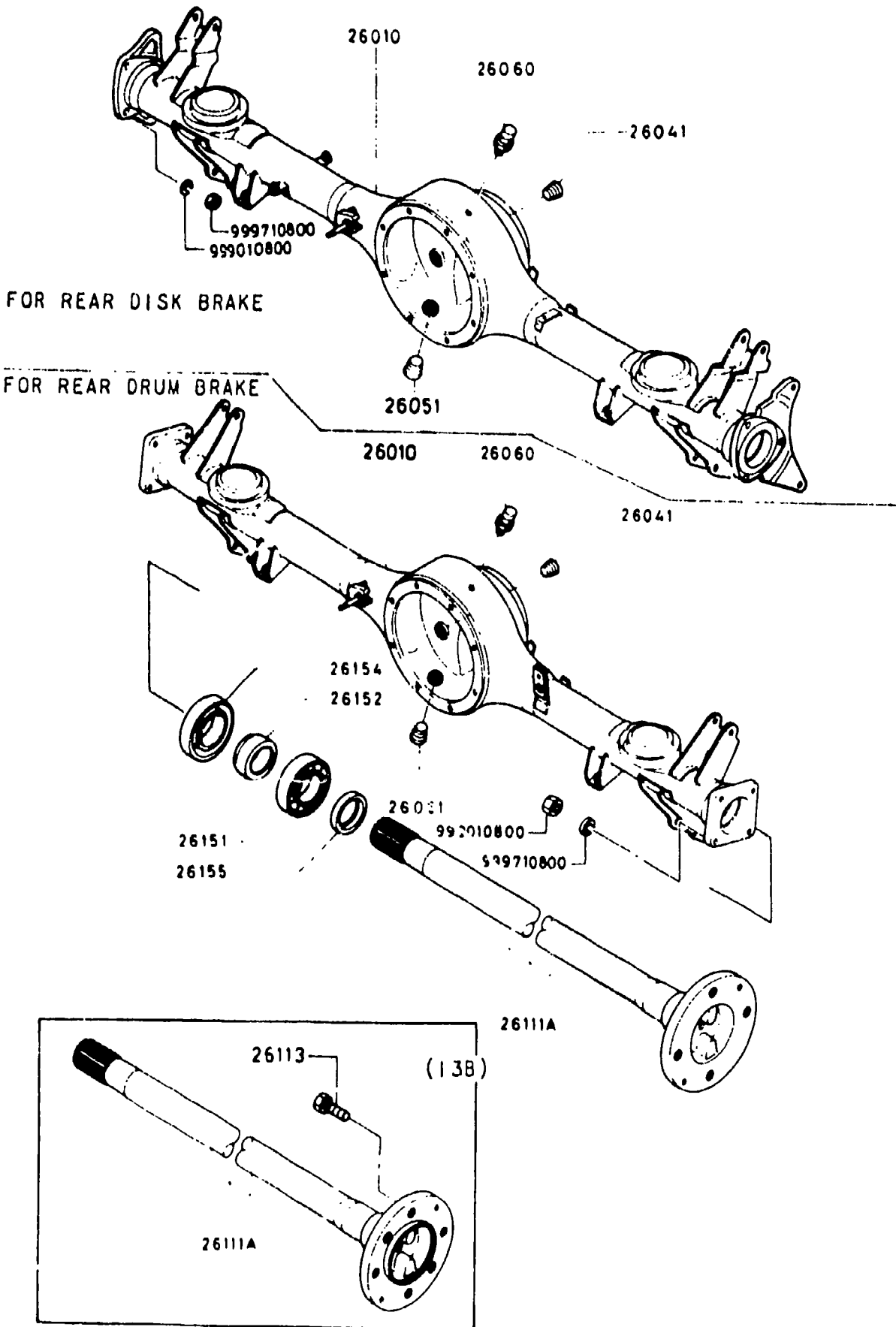
STARTING LOCATION	SECT. NO.	SECTION NAME	STARTING LOCATION	SECT. NO.	SECTION NAME	STARTING LOCATION	SECT. NO.	SECTION NAME
1. C 9	2500A	PROPELLER SHAFT						
1. D 9	2600A	REAR AXLE						
1. E 9	2610A	REAR BRAKES (DRUM) (S. GS)						
1. F 9	2610AA	REAR BRAKES (DISC) (GSL, GSL-SE)						
1. G 9	2700A	DIFFERENTIAL (REAR DRUM BRAKES) (S. GS)						
1. I 9	2700AA	DIFFERENTIAL (REAR DISC BRAKES) (GSL, GSL-SE)						
1. K 9	2800A	REAR SUSPENSION						
1. L 9	2810A	REAR STABILIZER						
1. M 9	3200A	STEERING WHEEL						
1. N 9	4210A	STEERING COLUMN & GEAR						
1. C 10	3230A	STEERING LINKAGE						
1. D 10	3240A	POWER STEERING SYSTEM						
1. E 10	3300A	FRONT AXLE & BRAKES						
1. F 10	3400A	FRONT SUSPENSION						
1. G 10	3410A	CROSSMEMBER & STABILIZER						
1. H 10	3700A	TIRE & JACK						
1. K 10	3900A	ENGINE & TRANSMISSION MOUNTINGS						
1. L 10	4000A	EXHAUST SYSTEM						
1. N 10	4140A	CLUTCH RELEASE & MASTER CYLINDERS (M. T)						
1. C 11	4160A	ACCELERATOR CONTROLS						
1. D 11	4200A	FUEL TANK						
1. E 11	4300A	CLUTCH & BRAKE PEDALS						
1. F 11	4340A	BRAKE MASTER CYLINDER & POWER BRAKE (REAR DRUM BRAKES) (S. GS)						
1. G 11	4340AA	BRAKE MASTER CYLINDER & POWER BRAKE (REAR DISK BRAKES) (GSL, GSL-SE)						
1. H 11	4360A	BRAKE PIPING (REAR DRUM BRAKE) (S. GS)						
1. I 11	4360AA	BRAKE PIPING (REAR DISC BRAKE) (GSL, GSL-SE)						
1. J 11	4400A	PARKING BRAKE SYSTEM						
1. L 11	4500A	FUEL PIPINGS						
1. N 11	4600A	CHANGE CONTROLS (A. T)						

2500A-1 PROPELLER SHAFT

ITEM NO.	D-CODE	DESCRIPTION	PART NO	QTY	MODEL/DESCRIPTION	REMARKS
25 100A		SHAFT, PROPELLER	M026-25-100	1	M-T	
			M041-25-100	1	A-T	
25 123		BOLT	1456-25-123	4		
25 125		NUT	1456-25-125	4		

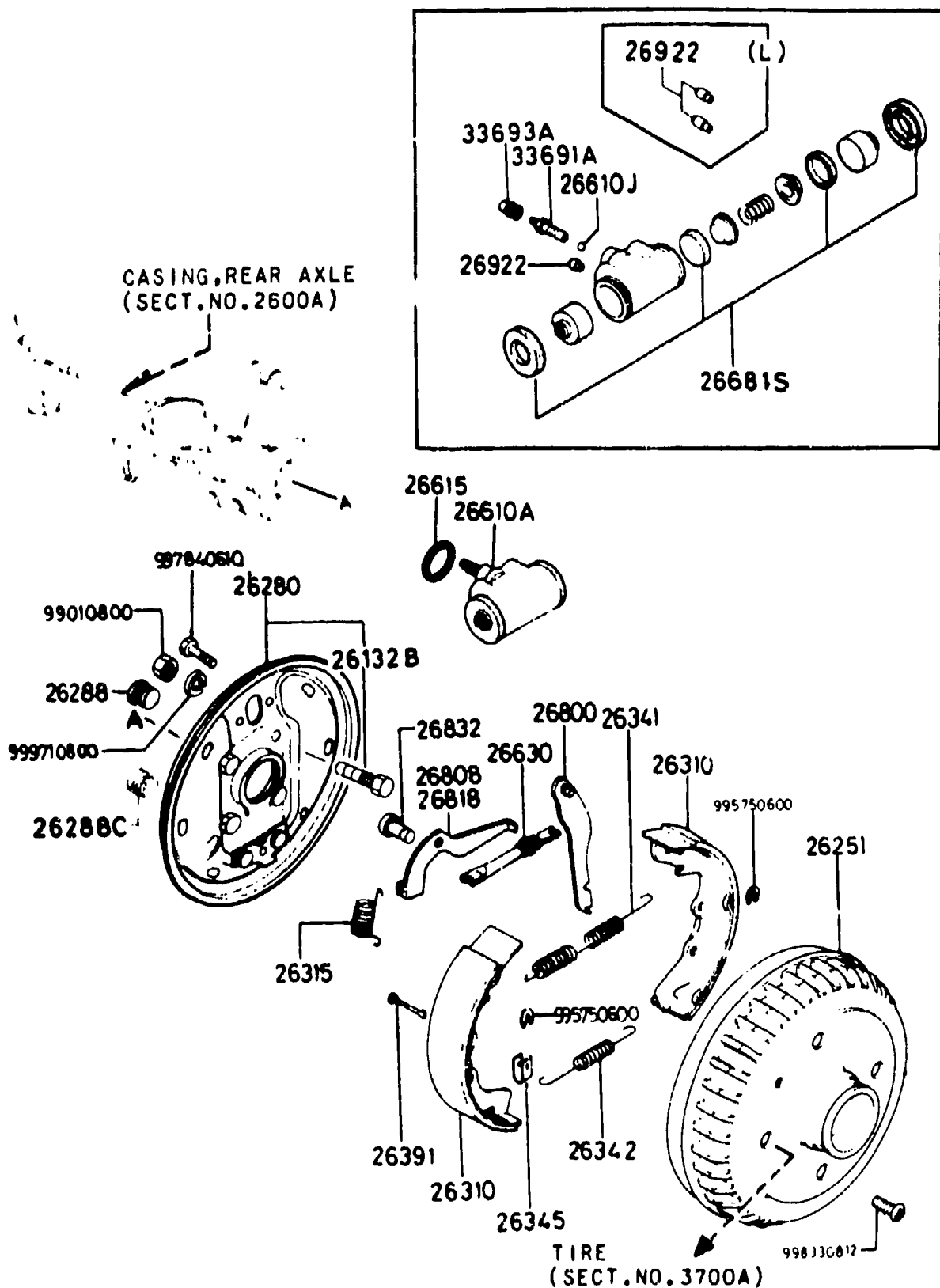


2600A-1 REAR AXLE



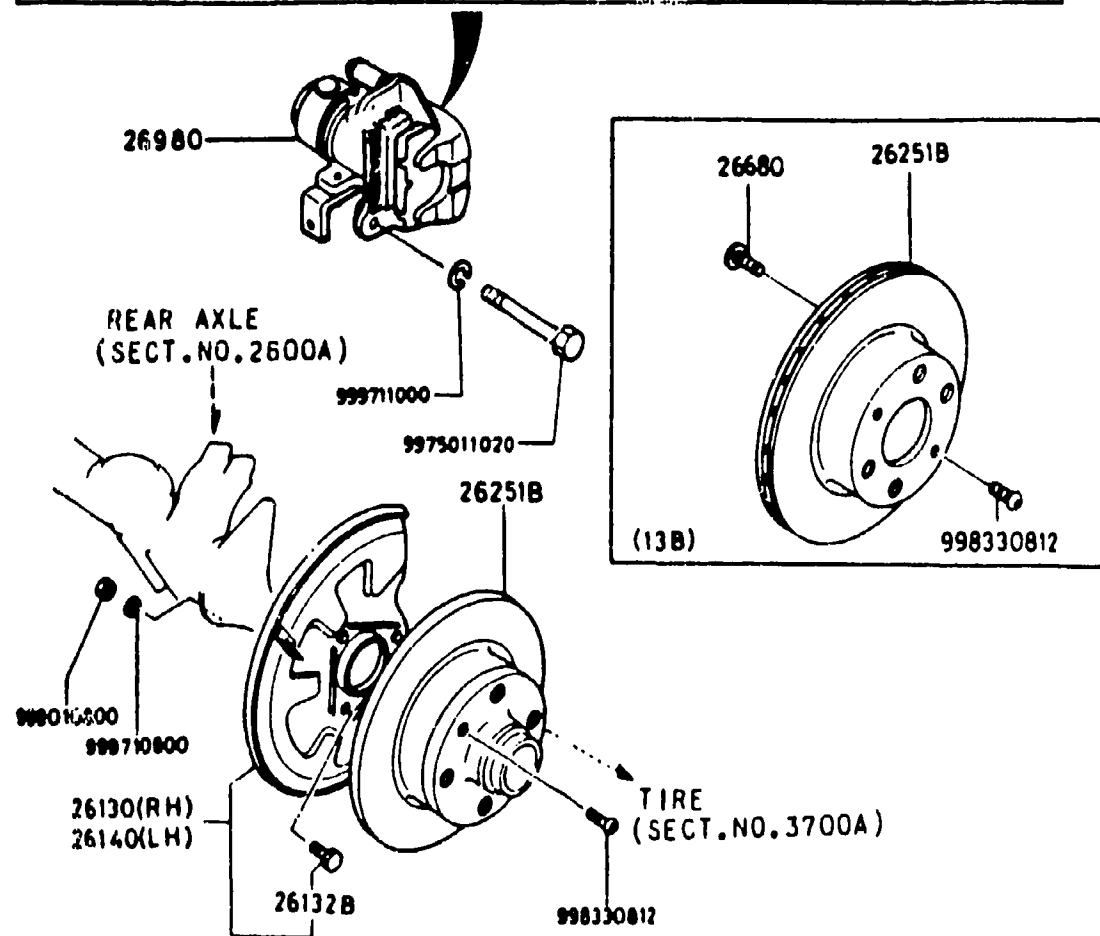
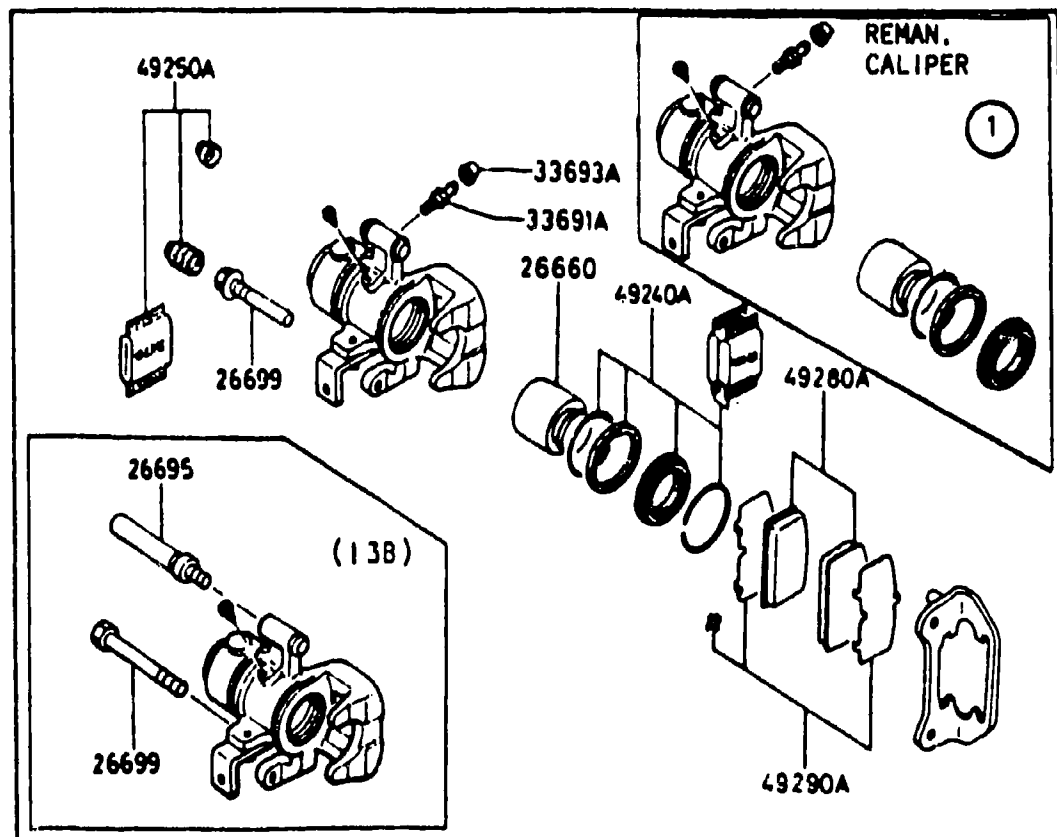
ITEM NO.	D-CODE	DESCRIPTION	PART NO.	QTY	MODEL/DESCRIPTION	REMARKS
26 010		CASING, REAR AXLE	FA54-26-020	1	(FOR REAR DRUM BRAKE) (S, GS)	
			FA58-26-020	1	(FOR REAR DISC BRAKE) (GSL, GSL-SE)	
26 041		PLUG, OIL LEVEL	0259-26-041A	1		
26 051		PLUG, MAGNET DRAIN	0259-26-051	1		
26 060		BREATHER	0866-26-060	1		
26 111A		SHAFT, REAR AXLE	FA54-26-111	2	12A (S, GS, GSL)	
			FA66-26-111	2	13B (GSL-SE)	
26 113		BOLT	8595-26-113	8	13B (GSL-SE)	
26 151		BEARING	8595-26-151	2		
26 152		COLLAR, BEARING	8545-26-152	2		
26 154		SEAL, OIL	1011-26-154	2		
26 155		SPACER, BEARING	FA66-26-155	2		

**2610A-1 REAR BRAKES
(DRUM) (S, GS)**



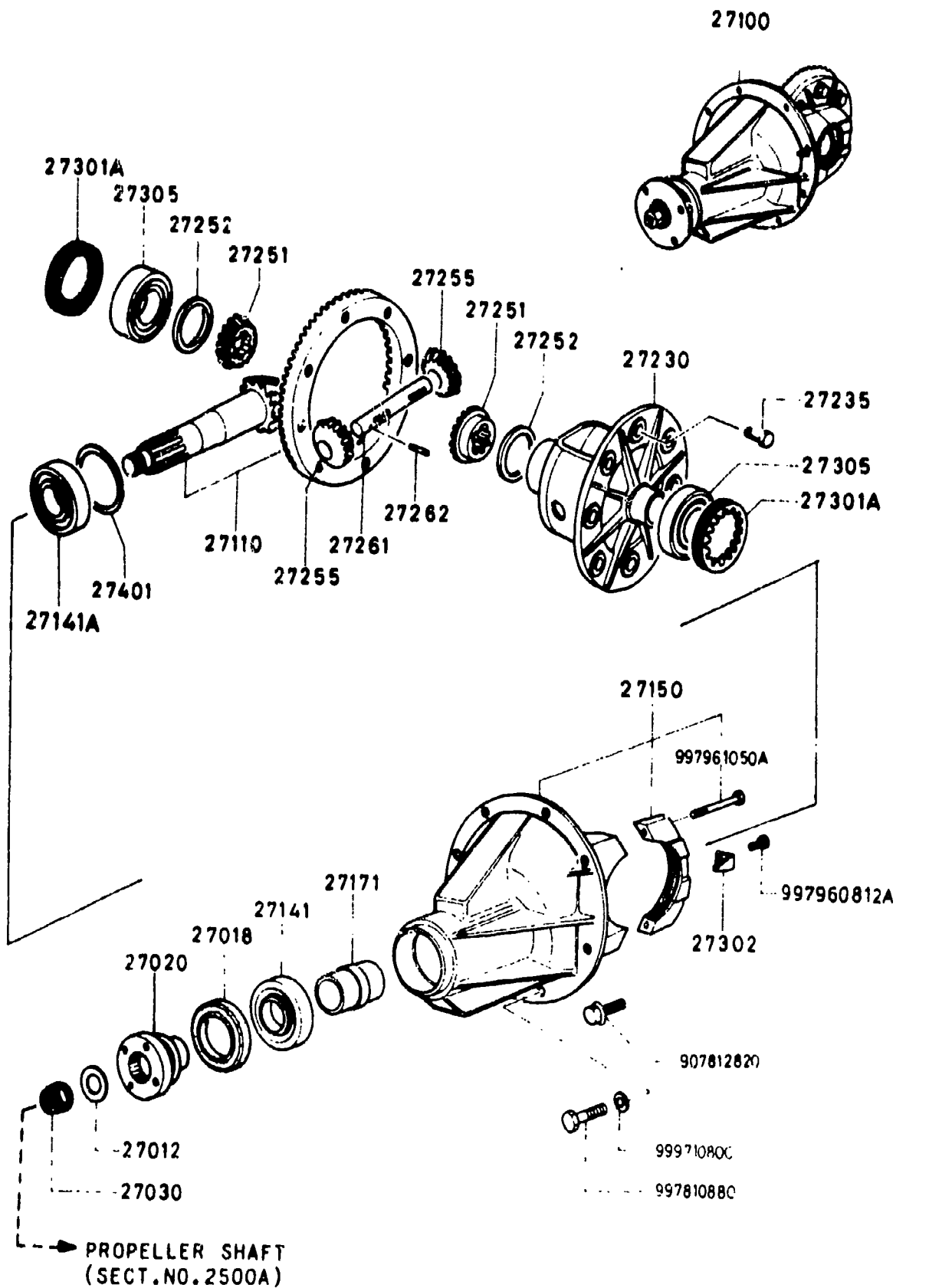
ITEM NO.	D-CODE	DESCRIPTION	PART NO.	QTY	MODEL/DESCRIPTION	REMARKS
26 132B		BOLT	3728-26-132	8		
26 251		DRUM, BRAKE	FA01-26-251	2		
26 280		PLATE (R), BRAKE BACK	FA54-26-280	1		
		PLATE (L), BRAKE BACK	FA54-26-290	1		
26 288		PLUG, BACK PLATE	0710-26-288	2		
26 288C		PLUG	3648-26-288	2		
26 310		BRAKE SHOE SET	FA01-26-38Z	1		
26 315		SPRING, BRAKE BACK	GA02-26-315	2		
26 341		SPRING, RETURN-UPPER	FA01-26-341	2		
26 342		SPRING, RETURN-LOWER	1011-26-342	2		
26 345		SPRING, BRAKE SHOE	FA01-26-345	4		
26 391		PIN, BRAKE SHOE	FA01-26-391	4		
26 610A		CYLINDER (R), WHEEL	FA01-26-610A	1		
		CYLINDER (L), WHEEL	FA01-26-710A	1		
26 610J		BALL, STEEL	9961-11-500	1		
26 615		GASKET, WHEEL CYLINDER	1175-26-615	2		
26 630		ADJUSTER (R)	FA01-26-630	1		
		ADJUSTER (L)	FA01-26-640	1		
26 681S		BOOT SET	BB62-89-334	1		
26 800		LEVER (R), OPERATING	FA01-26-800	1		
		LEVER (L), OPERATING	FA01-26-810	1		
26 808		LEVER (R), PAWL	FA01-26-808	1		
26 818		LEVER (L), PAWL	FA01-26-818	1		
26 832		PIN (R)	FA01-26-832	1		
		PIN (L)	GA02-26-832	1		
26 922		SHEET, TUBE	0613-26-922	3		
33 691A		SCREW, BLEEDER	0259-33-691	1		
33 693A		CAP, BLEEDER SCREW	0259-33-693	2		

**2610AA-1 REAR BRAKES
(DISC) (GSL, GSL-SE)**



ITEM NO.	D-CODE	DESCRIPTION	PART NO.	QTY	MODEL/DESCRIPTION	REMARKS
1		CALIPER (R), REAR BRAKE	FA18-26-610R	1	12A (GSL) REBUILT	
1		CALIPER (L), REAR BRAKE	FA18-26-710R	1	12A (GSL) REBUILT	
26 130		COVER, DUST (R)	FA58-26-130	1	12A (GSL)	
			FA66-26-130	1	13B (GSL-SE)	
26 132B		BOLT	3728-26-132	6		
26 140		COVER, DUST (L)	FA58-26-140	1	12A (GSL)	
			FA66-26-140	1	13B (GSL-SE)	
26 251B		PLATE, DISC	FA18-26-251	2	12A (GSL)	
			FA66-26-251	2	13B (GSL-SE)	
26 660		PISTON	FA18-26-660A	2		
26 680		BOLT	FA18-26-680	2		
26 695		PIN, GUIDE	FA66-26-695	1	13B (GSL-SE)	
26 699		BOLT	FA18-26-699	1	12A (GSL)	
			FA66-26-699	1	13B (GSL-SE)	
26 980		CALIPER (R), REAR BRAKE	FA18-26-980B	1	12A (GSL)	
			FA66-26-980	1	13B (GSL-SE)	
		CALIPER (L), REAR BRAKE	FA18-26-990B	1	12A (GSL)	
			FA66-26-990	1	13B (GSL-SE)	
33 691A		SCREW, BLEEDER	0233-33-691	1		
33 693A		CAP, BLEEDER SCREW	0259-33-693	2		
49 240A		SEAL KIT	FA18-49-240	1	12A (GSL)	
			FA67-49-240	1	13B (GSL-SE)	
49 250A		BOOT KIT	FA18-49-250	1	12A (GSL)	
49 280A		PAD SUB SET, REAR	FA18-49-280A	1	12A (GSL)	
			FA67-49-280	1	13B (GSL-SE)	
49 290A		ATTACHMENT-PAD	FA18-49-290	1	12A (GSL)	
			FA67-49-290A	1	13B (GSL-SE)	

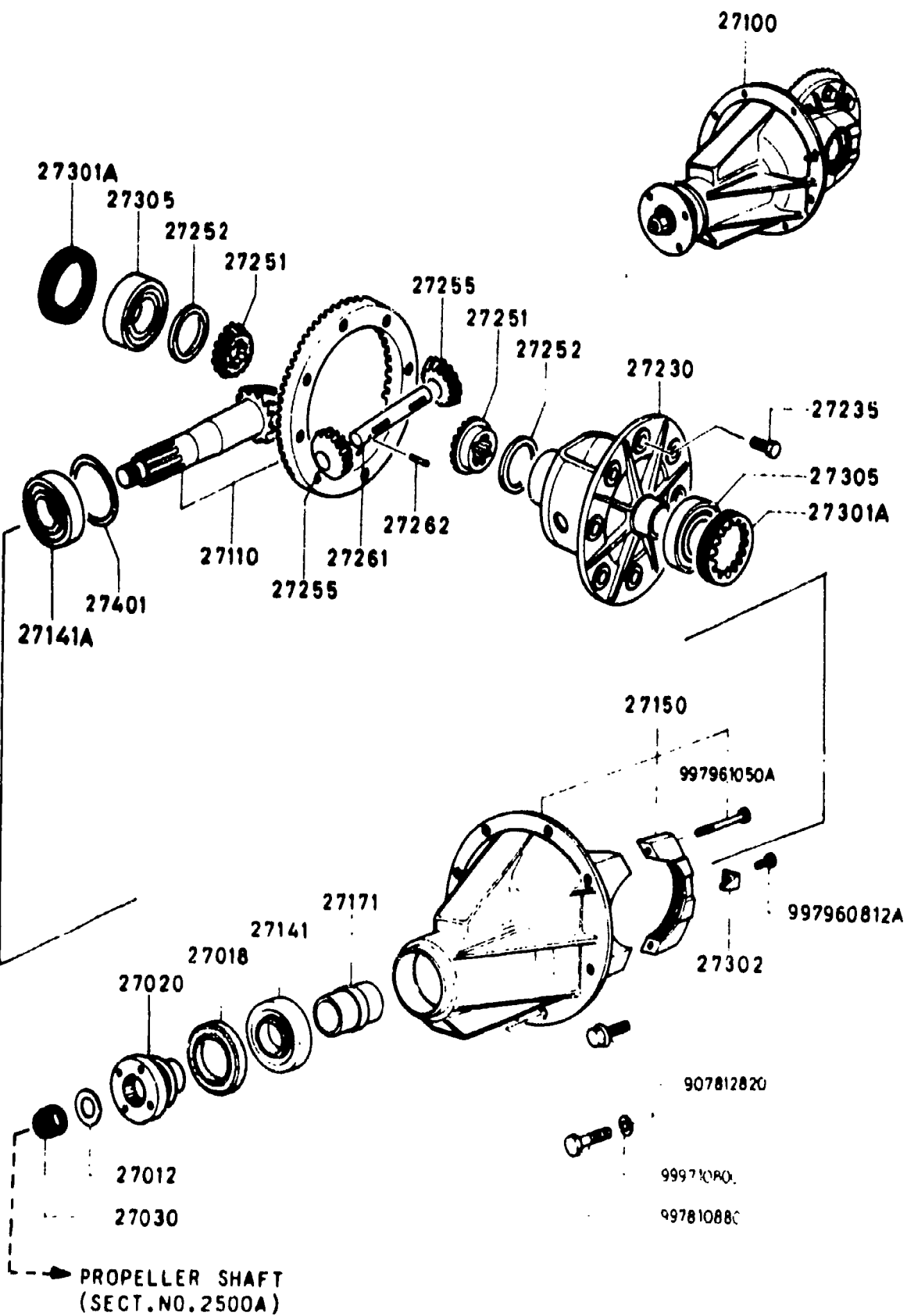
**2700A-1 DIFFERENTIAL
(REAR DRUM BRAKES) (S, GS)**



SEE PARTS BULLETIN FOR MORE DIFFERENTIAL INFO.
MMAC N/A
MMAE V/28

ITEM NO.	D-CODE	DESCRIPTION	PART NO.	QTY	MODEL/DESCRIPTION	REMARKS
27 012		WASHER	0223-27-012	1		
27 018		SEAL, OIL	M005-27-165	1		
27 020		FLANGE, COMPANION	M005-27-120A	1		
27 030		NUT, LOCK	0223-27-030	1		
27 100		DRIVE & DIFFERENTIAL	M062-27-100	1		
27 110		GEAR SET, FINAL	M050-27-110C	1	(RATIO=3.933) THRU APR. '84 PROD.	FB33* ..800001-831595
			8051-27-110D	1	(RATIO=3.909) FROM MAY '84 PROD.	FB33* ..831596-
27 141		BEARING, PINION-FRONT	0755-27-210	1		
27 141A		BEARING, PINION-REAR	0221-27-210	1		
27 150		CARRIER, DIFFERENTIAL	0820-27-150C	1	THRU JAN. '85 PROD	FB33* ..800001-884108
			0820-27-150D	1	FROM FEB. '85 PROD.	FB33* ..884109-
27 171		PIECE, DISTANCE	0305-27-171	1		
27 230		CASE	M024-27-231	1		
27 235		BOLT, RING GEAR	8051-27-235	10	(D=10.0)	
			8051-27-236	10	(D=10.2)	
27 251		GEAR, DIFF. SIDE	M035-27-251A	2		
27 252		WASHER	0290-27-252	2	(T=2.0)	
			0290-27-253	2	(T=2.1)	
			0290-27-254	2	(T=2.2)	
			0290-27-256	2	(T=2.05)	
			0290-27-259	2	(T=2.15)	
27 255		PINION, DIFFERENTIAL	M025-27-255B	2		
27 261		SHAFT, DIFF. PINION	M025-27-261A	1		
27 262		PIN	0114-27-262	1		
27 301A		SCREW, ADJUST	0290-27-301	2		
27 302		PLATE, LOCK	0290-27-302	2		
27 305		BEARING	0221-27-350	2		
27 401		SPACER	0223-27-401A	1	(T=3.08)	
			0223-27-402A	1	(T=3.11)	
			0223-27-403A	1	(T=3.14)	
			0223-27-404A	1	(T=3.17)	
			0223-27-405A	1	(T=3.20)	
			0223-27-406A	1	(T=3.23)	
			0223-27-407A	1	(T=3.26)	
			0223-27-408A	1	(T=3.29)	
			0223-27-409A	1	(T=3.32)	
			0223-27-411A	1	(T=3.35)	
			0223-27-412A	1	(T=3.38)	
			0223-27-413A	1	(T=3.41)	

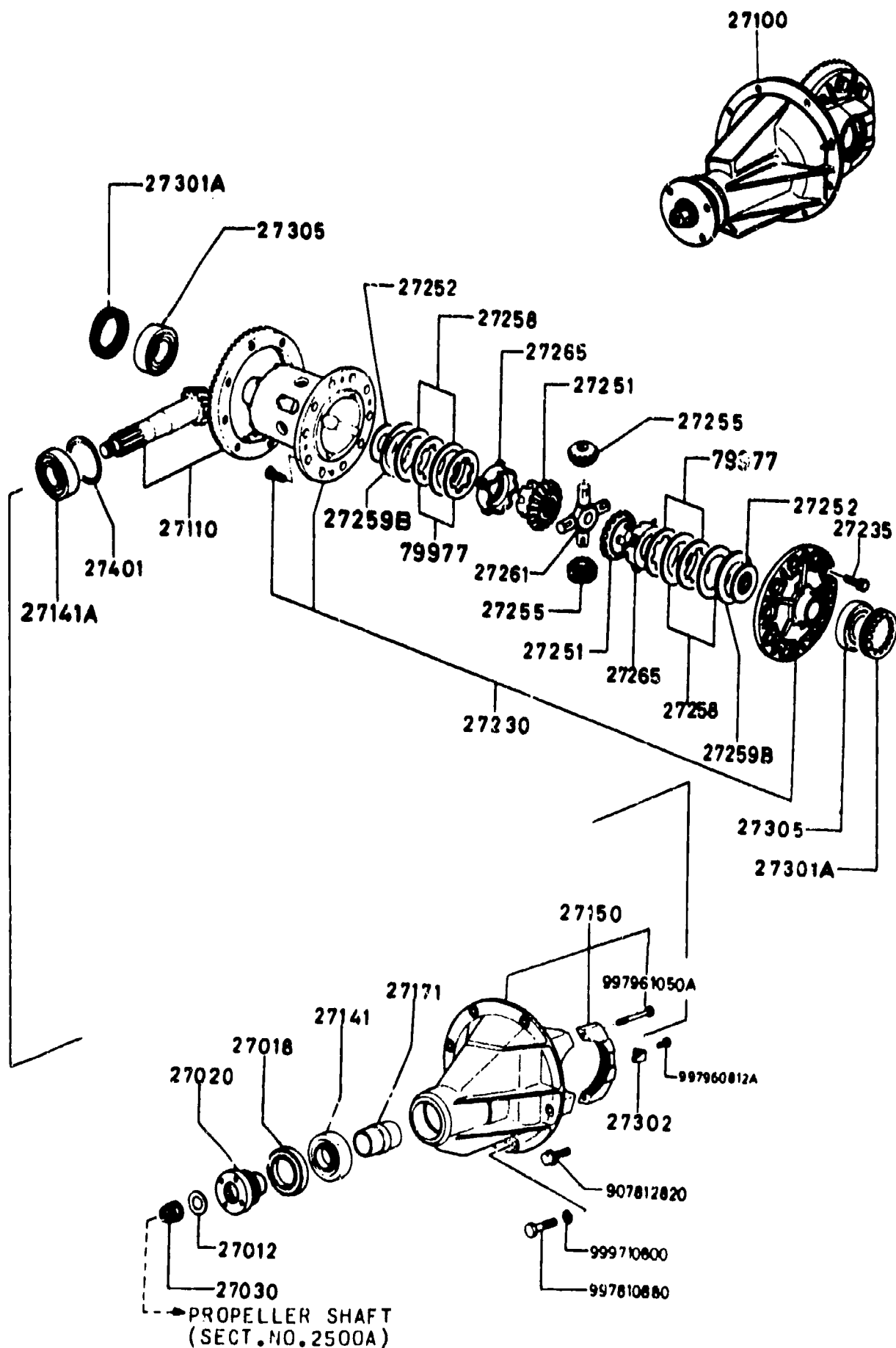
**2700A-2 DIFFERENTIAL
(REAR DRUM BRAKES) (S, GS)**



SEE PARTS BULLETIN FOR MORE DIFFERENTIAL INFO.
MMAC N/A
MMAE V/28

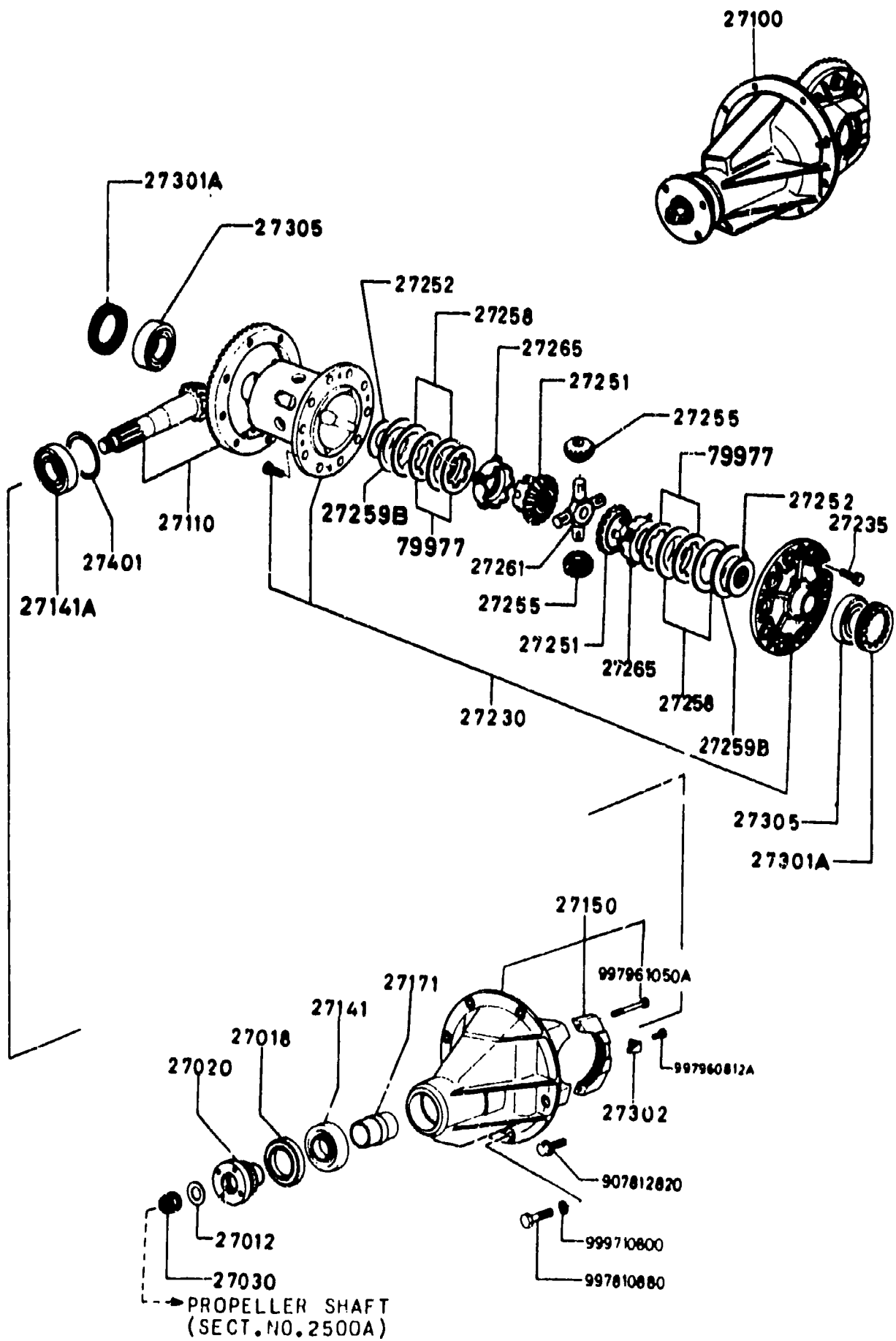
ITEM NO.	D-CODE	DESCRIPTION	PART NO.	QTY	MODEL/DESCRIPTION	REMARKS
	27 401 (CONT'D)		0223-27-414A	1	(T=3.44)	
			0223-27-415A	1	(T=3.47)	

**2700AA-1 DIFFERENTIAL
(REAR DISC BRAKES) (GSL, GSL-SE)**



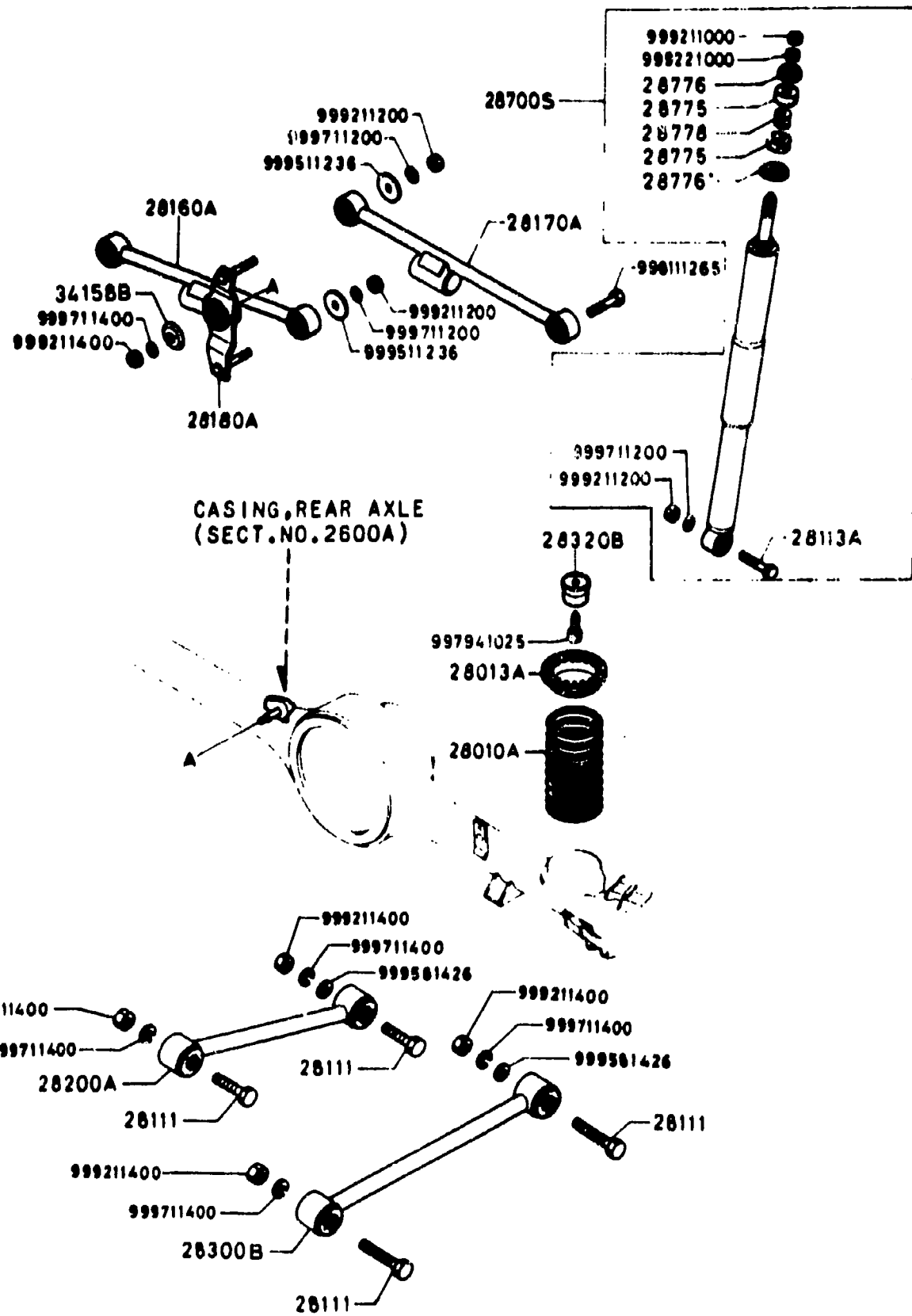
ITEM NO.	D-CODE	DESCRIPTION	PART NO.	QTY	MODEL/DESCRIPTION	REMARKS
27 012		WASHER	0223-27-012	1		
27 018		SEAL, OIL	M005-27-165	1		
27 020		FLANGE, COMPANION	M005-27-120D	1		
27 030		NUT, LOCK	0223-27-030	1		
27 100		DRIVE & DIFFERENTIAL	M098-27-100	1	12A (GSL)	
			M090-27-100B	1	13B (GSL-SE) THRU NOV. '84 PROD.	FB33* ..800001-873902
			<A> M090-27-100C	1	13B (GSL-SE) FROM DEC. '84 PROD.	FB33* ..873903-
27 110		GEAR SET, FINAL	M050-27-110C	1	12A (GSL) (RATIO=3.933) THRU APR. '84 PROD.	FB33* ..800001-831595
			8051-27-110D	1	12A (GSL) (RATIO=3.909) FROM MAY '84 PROD.	FB33* ..831596-
			M090-27-110A	1	13B (GSL-SE) (RATIO=4. 076) THRU NOV. '84 PROD.	FB33* ..800001-873902
			M037-27-110B	1	13B (GSL-SE) (RATIO=3. 909) FROM DEC. '84 PROD.	FB33* ..873903-
27 141		BEARING, PINION-FRONT	0755-27-210	1		
27 141A		BEARING, PINION-REAR	0221-27-210	1		
27 150		CARRIER, DIFFERENTIAL	0820-27-150C	1	THRU DEC. '84 PROD.	FB33* ..800001-884108
			0820-27-150D	1	FROM JAN. '85 PROD.	FB33* ..884109-
27 171		PIECE, DISTANCE	0305-27-171	1		
27 230		CASE	M020-27-230	1		
27 235		BOLT, RING GEAR	8051-27-235	10	(D=10.0)	
			8051-27-236	10	(D=10.2)	
27 251		GEAR, DIFF. SIDE	M050-27-251	2		
27 252		WASHER	M020-27-252	2	(T=1.60)	
			M020-27-253	2	(T=1.80)	
27 255		PINION, DIFFERENTIAL	M020-27-255	4		
27 258		PLATE, FRICTION	M020-27-258	4		
27 259B		SPRING, CONICAL	M020-27-259	2		
27 261		SHAFT, DIFF. PINION	M020-27-261	1		
27 265		RING, PRESSURE	M020-27-265	2		
27 301A		SCREW, ADJUST	0290-27-301	2		
27 302		PLATE, LOCK	0290-27-302	2		
27 305		BEARING	0221-27-350	2		
27 401		SPACER	0223-27-401A	1	(T=3.08)	
			0223-27-402A	1	(T=3.11)	
			0223-27-403A	1	(T=3.14)	
			0223-27-404A	1	(T=3.17)	
			0223-27-405A	1	(T=3.20)	

**2700AA-2 DIFFERENTIAL
(REAR DISC BRAKES) (GSL, GSL-SE)**



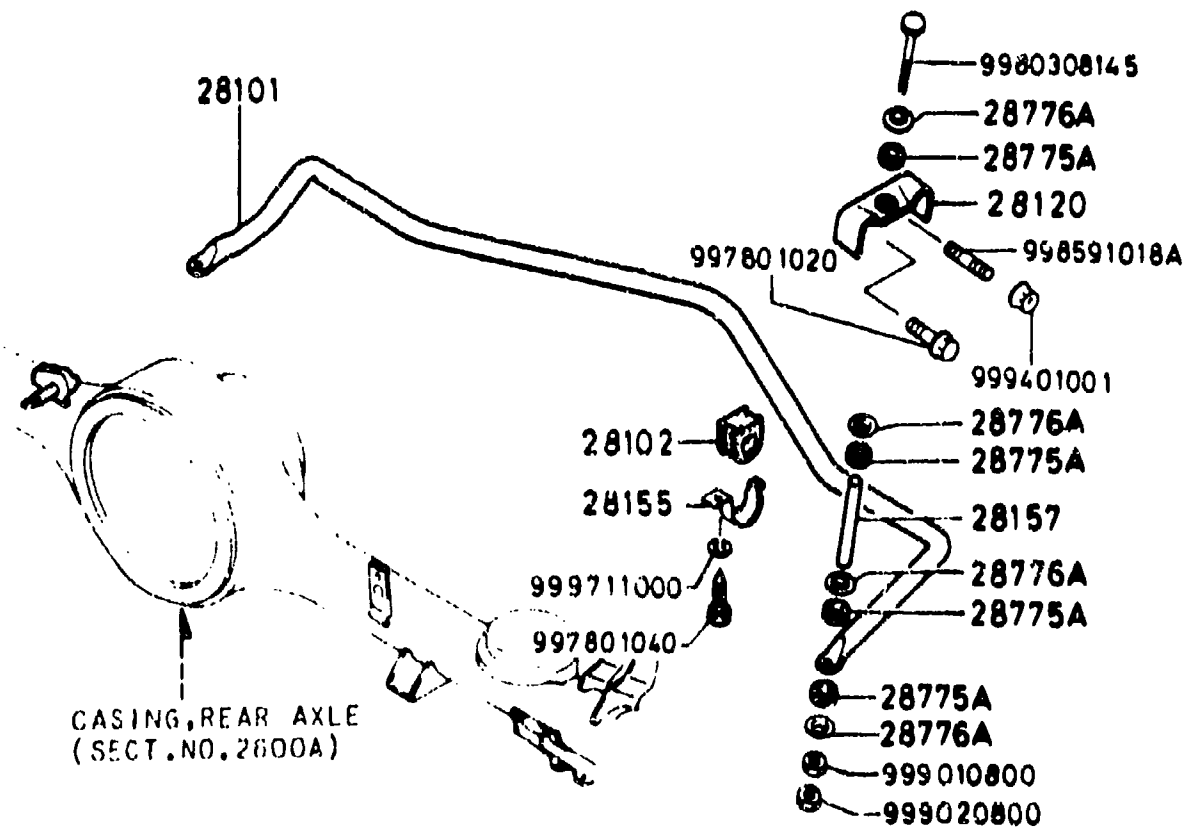
ITEM NO.	D-CODE	DESCRIPTION	PART NO.	QTY	MODEL/DESCRIPTION	REMARKS
	27 401 (CONT'D)		0223-27-406A	1	(T=3.23)	
			0223-27-407A	1	(T=3.26)	
			0223-27-408A	1	(T=3.29)	
			0223-27-409A	1	(T=3.32)	
			0223-27-411A	1	(T=3.35)	
			0223-27-412A	1	(T=3.38)	
			0223-27-413A	1	(T=3.41)	
			0223-27-414A	1	(T=3.44)	
			0223-27-415A	1	(T=3.47)	
	79 977	DISC, FRICTION	M020-27-256	4	(T=2.00)	
			M020-27-257	4	(T=2.10)	

2800A-1 REAR SUSPENSION



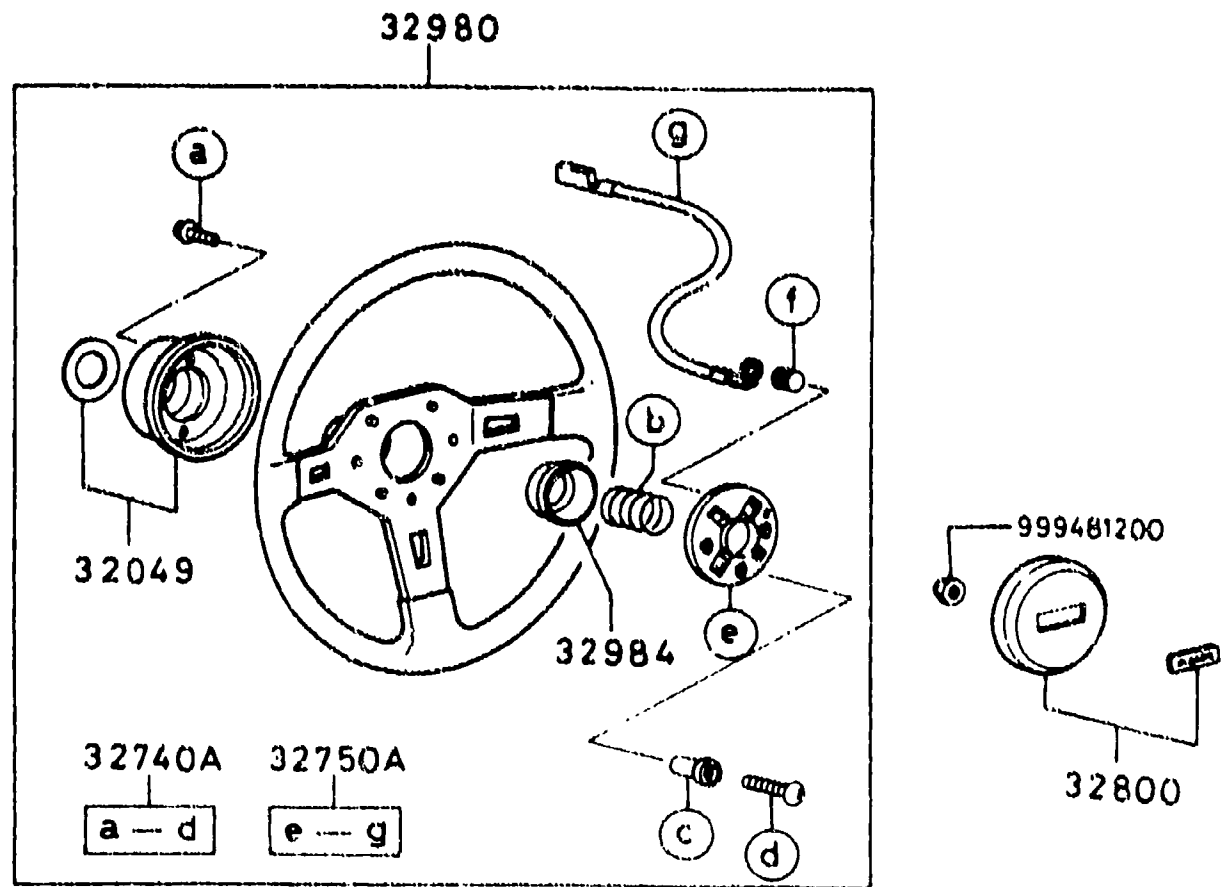
ITEM NO.	D-CODE	DESCRIPTION	PART NO.	QTY	MODEL/DESCRIPTION	REMARKS
	28 010A	SPRING, COIL	FA24-28-011	2		
	28 013A	SHEET, RUBBER	8871-28-013C	2		
	28 111	BOLT	0305-28-111B	8		
	28 113A	BOLT	1243-28-111	2		
	28 160A	LINK (R), WATT	8871-28-160	1		
	28 170A	LINK (L), WATT	8871-28-170	1		
	28 180A	BRACKET, WATT LINK	8871-28-180	1		
	28 200A	LINK	8871-28-200	2		
	28 300B	LINK, LOWER	8871-28-300A	2		
	28 320B	STOPPER, BUMP	8871-28-320	2	12A (S, GS, GSU)	
			FA66-28-320A	1	13B (GSI-SE)	
	28 700S	DAMPER SET, REAR	FA01-99-281A	2	12A (S, GS, GSU)	
			FA24-99-281	2	13B (GSI-SE)	
	28 775	BUSHING, RUBBER	8871-28-775	4		
	28 776	RETAINER	0223-28-776	4		
	28 778	GROMMET	0259-28-778	2		
	34 158B	WASHER	0866-34-158	1		

2810A-1 REAR STABILIZER



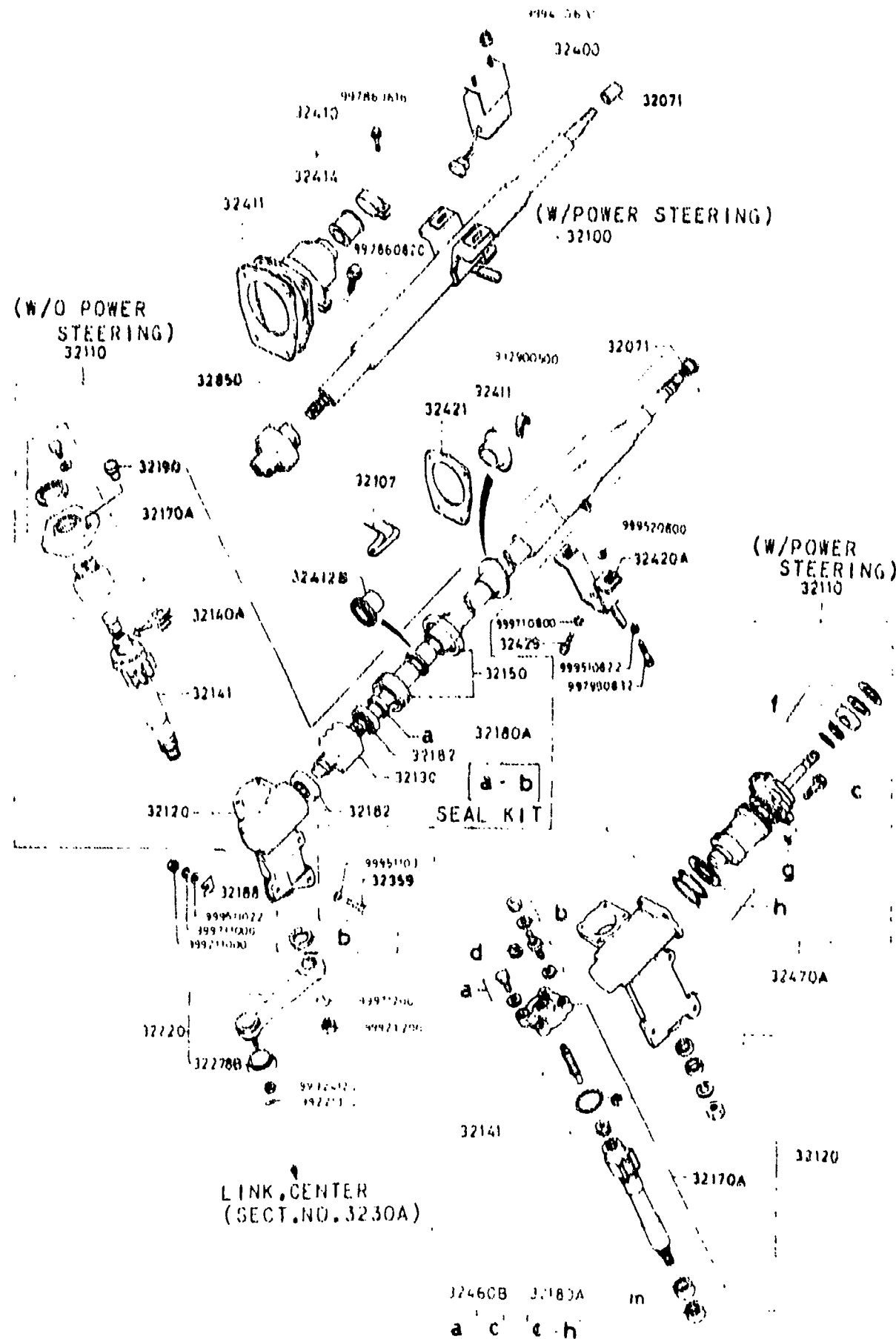
ITEM NO.	D-CODE	DESCRIPTION	PART NO	QTY	MODEL/DESCRIPTION	REMARKS
28 101		STABILIZER	FA01-28-151	1	(D=15MM)	
				1	(D=17MM)	
28 102		BUSHING, RUBBER	FA01-28-156	2	(FOR D=15MM S' (B.))	
			8871-28-156	2	(FOR D=17MM S' (A.))	
28 120		BRACKET, CONTROL LINK	FA01-28-120B	2		
28 155		BRACKET, STAB. SUPPORT	FA01-28-155	2		
28 157		SPACER, STAB.	8871-28-157	2		
28 775A		BUSHING, RUBBER - STAB.	0710-28-775	8		
28 776A		RETAINER, STAB.	0710-28-776	8		

3200A-1 STEERING WHEEL



ITEM NO	D-CODE	DESCRIPTION	PART NO	QTY	MODEL/DESCRIPTION	REMARKS
	32 049	COVER, WHEEL CORE	FA54-32-760	1		
		RED	10			
		OFF BLACK	65			
		BROWN	78			
	32 740A	SET-SCREW	FA54-32-740	1		
	32 750A	SET-HORN	8871-32-750	1		
	32 800	CAP, HORN	FA54-32-800A	1		
		RED	10			
		OFF BLACK	65			
		BROWN	78			
	32 980	BOSS, STEERING WHEEL	FA54-32-980	1	(URETHANE)	
		RED	10			
		OFF BLACK	65			
		BROWN	78			
			FA55-32-980A	1	(LEATHER)	
		RED	12			
		OFF BLACK	65			
		BROWN	78			
	32 984	SET-CUP	8871-32-984	1		

3210A-1 STEERING COLUMN & GEAR



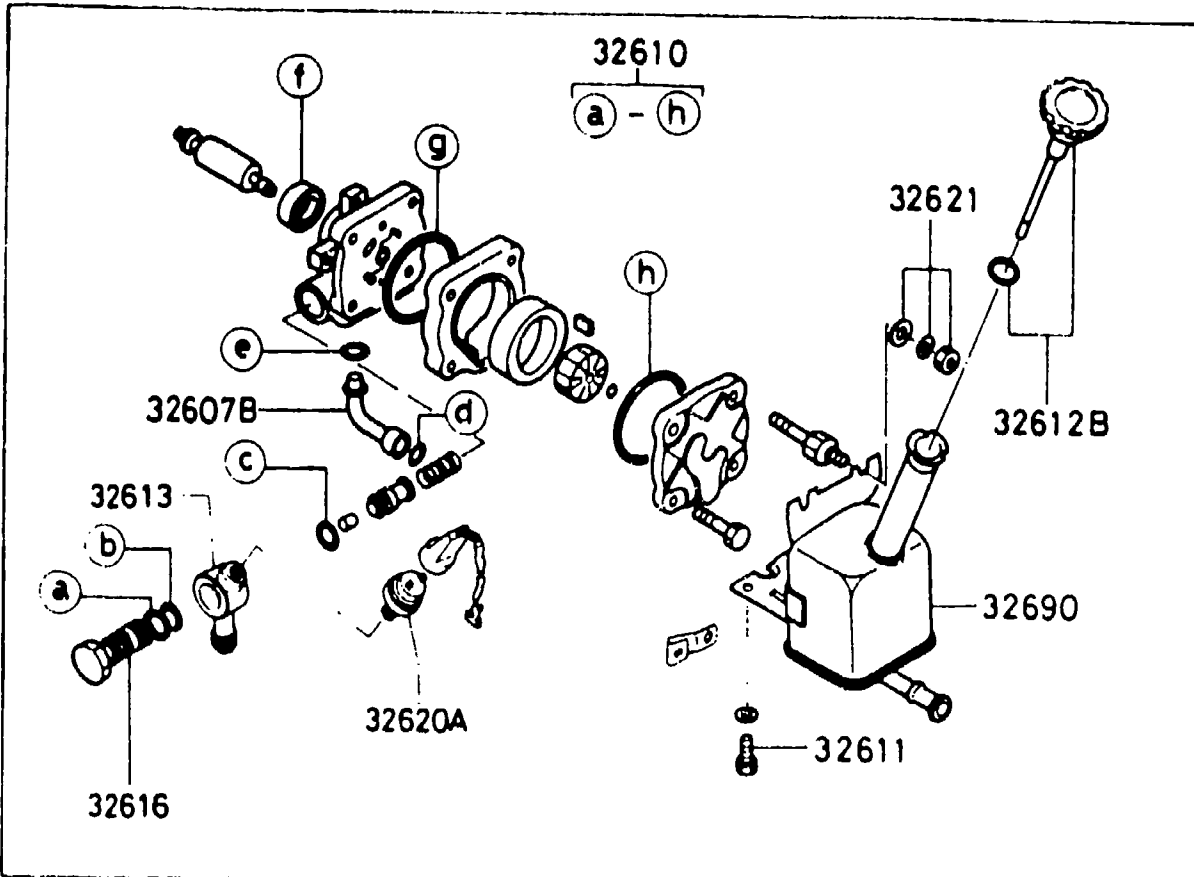
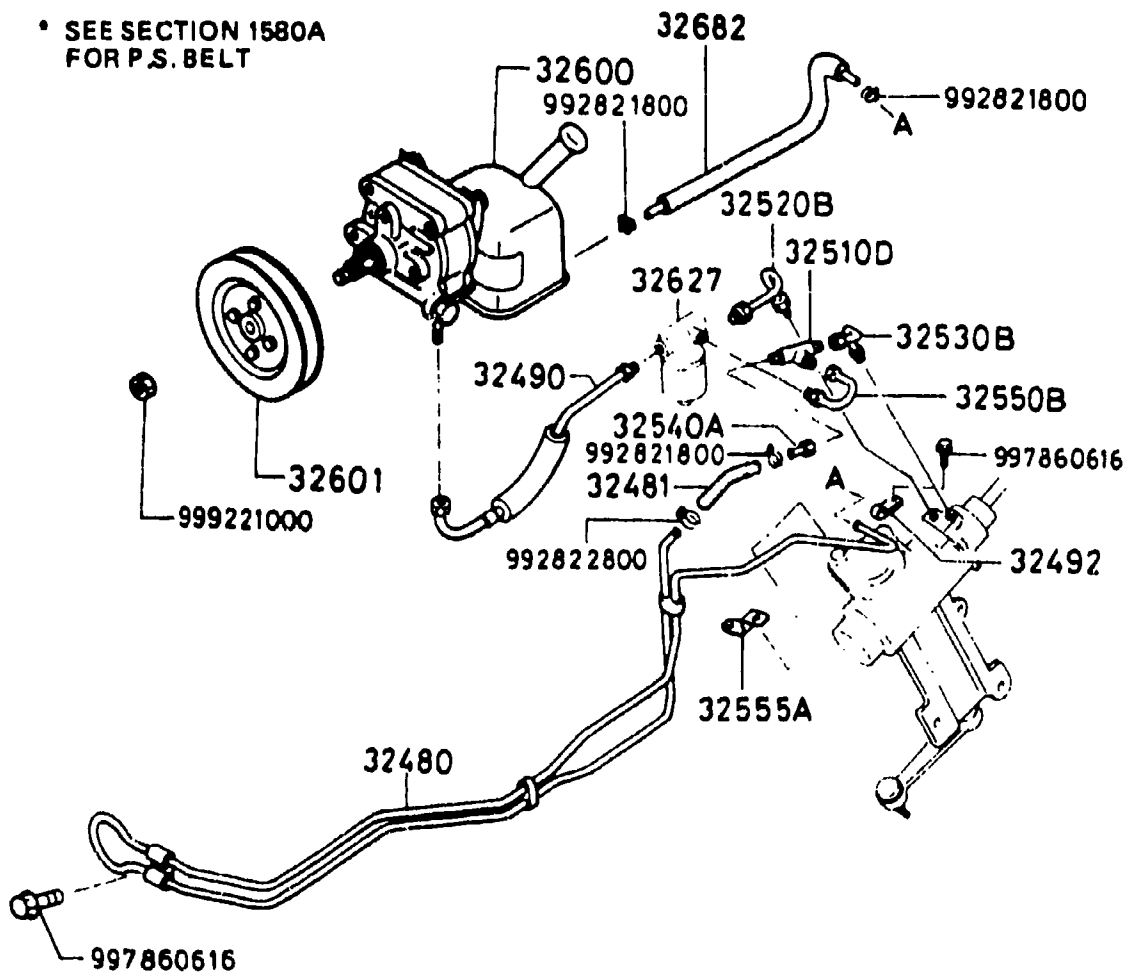
ITEM NO	D-CODE	DESCRIPTION	PART NO	QTY	MODEL/DESCRIPTION	REMARKS
	32 071	BUSHING	8001-32-071	1	(W. P. S)	
			8182-32-071A	1	(W/O P. S)	
	32 100	SHAFT, ENGY. ABSORBER	FA55-32-100C	1		
	32 107	CLIP	8871-32-862	1	(W/O P. S)	
	32 110	GEAR, STEERING	FA54-32-110	1	(W/O P. S)	
			FA55-32-110	1	(W. P. S)	
	32 120	HOUSING, GEAR	FA24-32-120	1	(W/O P. S)	
			FA55-32-120	1	(W. P. S)	
	32 130	BALL NUT, WORM	FA24-32-130	1	(W/O P. S)	
	32 140A	SHIM KIT, ADJUST	8180-32-140	1	(W/O P. S)	
	32 141	SHAFT, SECTOR	FA24-32-141A	1	(W/O P. S)	
			FA55-32-140	1	(W. P. S)	
	32 150	COVER KIT, END	FA24-32-150	1	(W/O P. S)	
	32 170A	COVER KIT, SIDE	FA24-32-170	1	(W/O P. S)	
			FA55-32-160	1	(W. P. S)	
	32 180A	SEAL KIT	FA55-32-180	1	(W. P. S)	
			8871-32-180	1	(W/O P. S)	
	32 182	BEARING	8871-32-182	2	(W/O P. S)	
	32 188	SHIM, ADJUST	0208-32-188	2		
	32 190	PLUG, OIL	0820-32-190	1	(W/O P. S)	
	32 220	ARM, PITMAN	1757-32-220	1		
	32 278B	SEAL, DUST-PITMAN	8545-32-278	1		
	32 359	BOLT, GEAR HOUSING	8173-32-359	3		
	32 400	CONTROLLER	FA55-32-400C	1	(W. P. S)	
	32 410	PLATE	FA55-32-410B	1	(W. P. S)	
	32 411	COVER, DUST	FA55-32-411	1	(W. P. S)	
			8871-32-411	1	(W/O P. S)	
	32 412B	BUSHING	8871-32-412	1	(W. P. S)	
	32 414	BUSHING	1011-32-414A	1	(W. P. S)	
	32 420A	BRACKET, FIXING	FA24-32-420	1	(W/O P. S)	
	32 421	PLATE, SET	FA54-32-421	1	(W/O P. S)	
	32 429	BOLT	8871-32-429A	4	(W/O P. S)	
	32 460B	BOLT SET	FA55-32-190	1	(W. P. S)	
	32 470A	VALVE & PISTON	FA55-32-470	1	(W. P. S)	
	32 850	JOINT STEERING	0187-32-850D	1	(W. P. S)	FB33* 800001-835855
					THRU MAY '84 PROD	
			FA55-32-850A	1	FROM JUN '84 PROD	FB33* 835856

SECTION INDEX -- CHASSIS

STARTING LOCATION	SECT. NO.	SECTION NAME	STARTING LOCATION	SECT. NO.	SECTION NAME	STARTING LOCATION	SECT. NO.	SECTION NAME
1-C 9	2500A	PROPELLER SHAFT						
1-D 9	2600A	REAR AXLE						
1-E 9	2610A	REAR BRAKES (DRUM) (S. GS)						
1-F 9	2610AA	REAR BRAKES (DISC) (GSL, GSL-SE)						
1-G 9	2700A	DIFFERENTIAL (REAR DRUM BRAKES) (S. GS)						
1-I 9	2700AA	DIFFERENTIAL (REAR DISC BRAKES) (GSL, GSL-SE)						
1-K 9	2800A	REAR SUSPENSION						
1-L 9	2810A	REAR STABILIZER						
1-M 9	3200A	STEERING WHEEL						
1-N 9	3210A	STEERING COLUMN & GEAR						
1-C10	3230A	STEERING LINKAGE						
1-D10	3240A	POWER STEERING SYSTEM						
1-E10	3300A	FRONT AXLE & BRAKES						
1-F10	3400A	FRONT SUSPENSION						
1-G10	3410A	CROSSMEMBER & STABILIZER						
1-H10	3700A	TIRE & JACK						
1-K10	3900A	ENGINE & TRANSMISSION MOUNTINGS						
1-L10	4000A	EXHAUST SYSTEM						
1-N10	4140A	CLUTCH RELEASE & MASTER CYLINDERS (M-T)						
1-C11	4160A	ACCELERATOR CONTROLS						
1-D11	4200A	FUEL TANK						
1-E11	4300A	CLUTCH & BRAKE PEDALS						
1-F11	4340A	BRAKE MASTER CYLINDER & POWER BRAKE (REAR DRUM BRAKES) (S. GS)						
1-G11	4340AA	BRAKE MASTER CYLINDER & POWER BRAKE (REAR DISK BRAKES) (GSL, GSL-SE)						
1-H11	4360A	BRAKE PIPING (REAR DRUM BRAKE) (S. GS)						
1-I11	4360AA	BRAKE PIPING (REAR DISC BRAKE) (GSL, GSL-SE)						
1-J11	4400A	PARKING BRAKE SYSTEM						
1-L11	4500A	FUEL PIPINGS						
1-N11	4600A	CHANGE CONTROLS (A-T)						

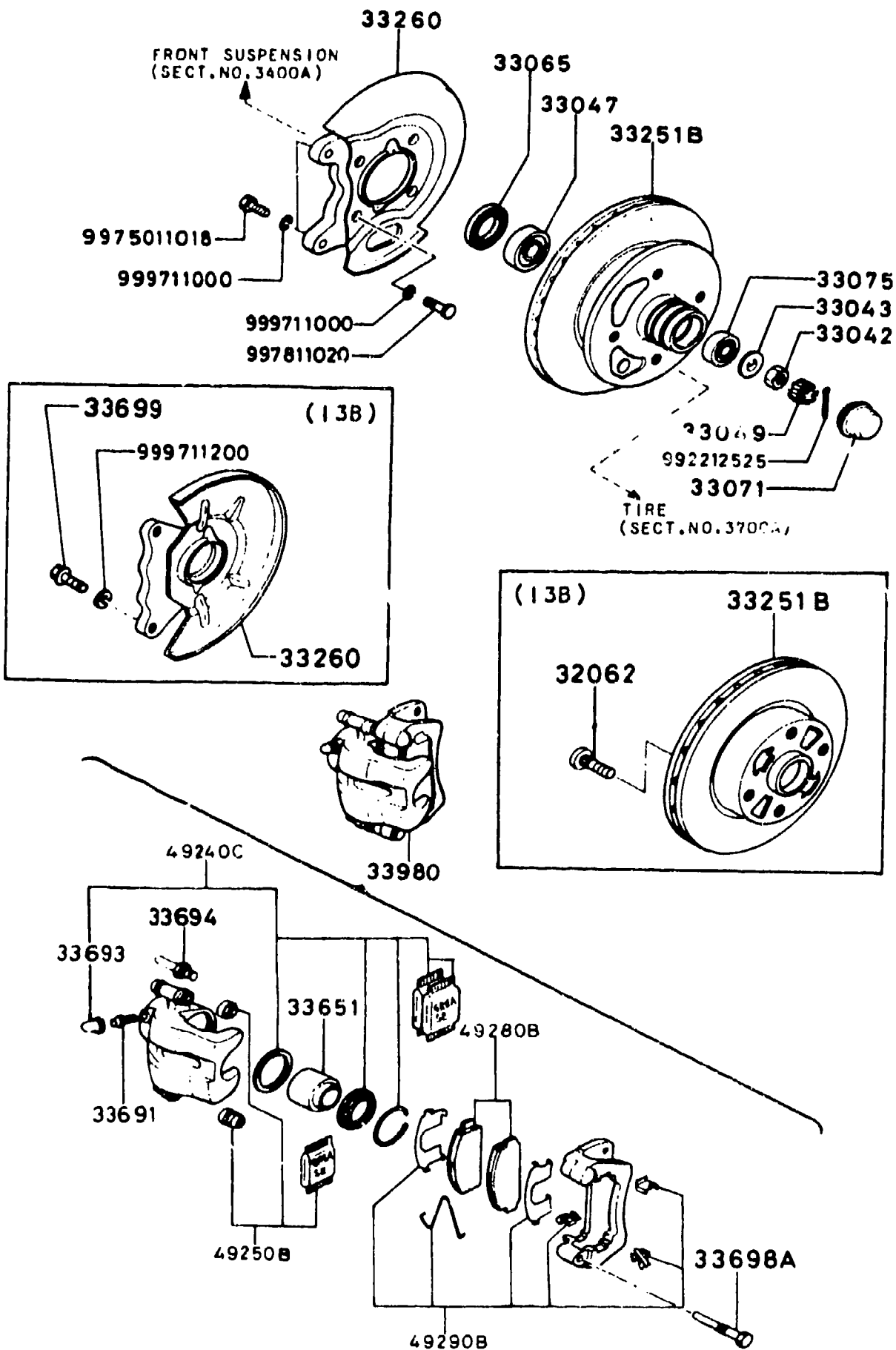
3240A-1 POWER STEERING SYSTEM

* SEE SECTION 1580A FOR P.S. BELT



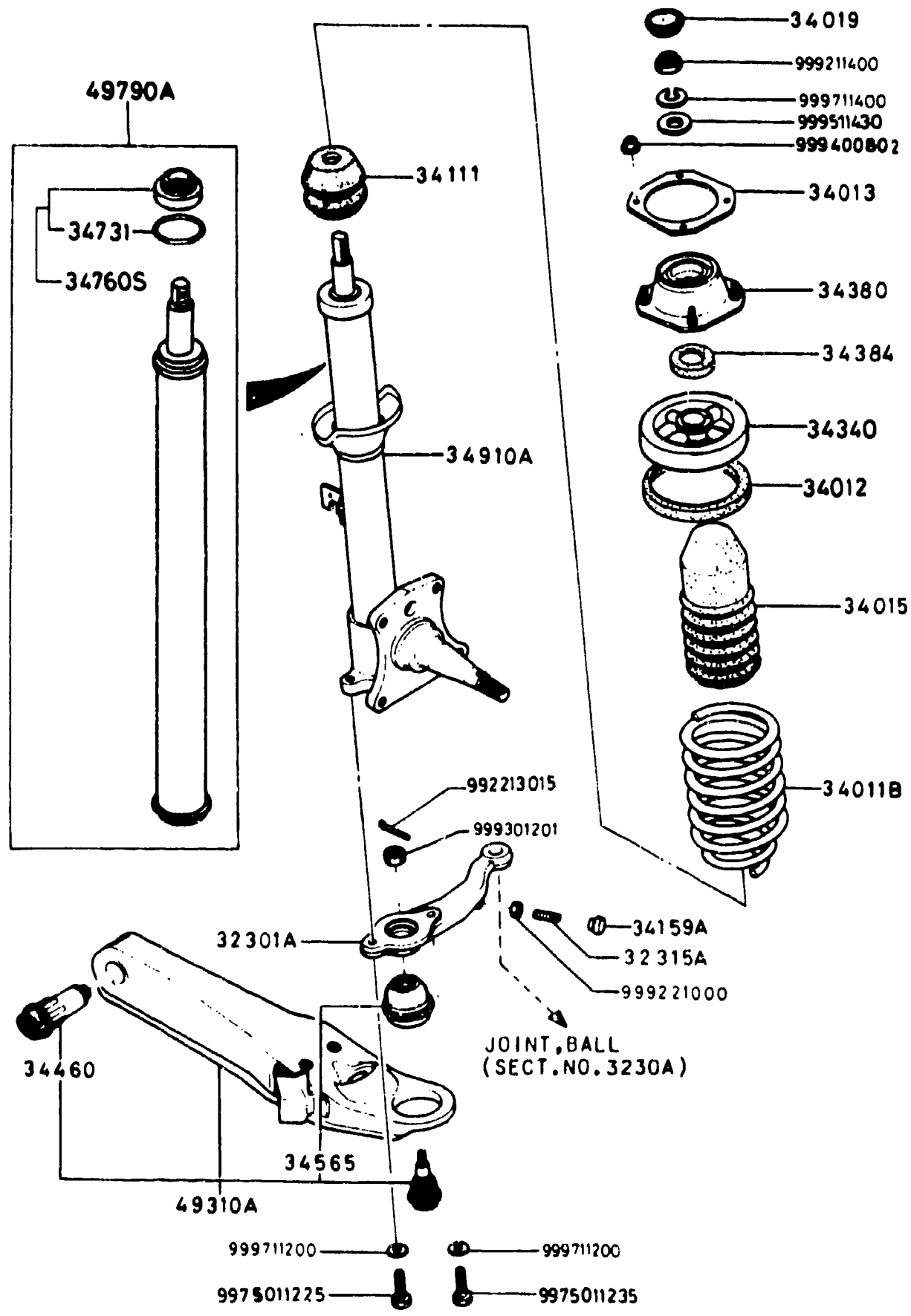
ITEM NO.	D-CODE	DESCRIPTION	PART NO.	QTY	MODEL/DESCRIPTION	REMARKS
32 480		PIPE, RETURN	FA55-32-570D	1		
32 481		HOSE, RETURN	FA55-32-481C	1		
32 490		HOSE, PRESSURE	FA55-32-490C	1		
32 492		CLIP	FA55-32-492	1		
32 510D		JOINT	FA55-32-510	1		
32 520B		PIPE, PRESSURE	FA55-32-520	1		
32 530B		PIPE, RETURN (NO. 1)	FA55-32-530	1		
32 540A		PIPE, RETURN (NO. 2)	FA55-32-540	1		
32 550B		PIPE, RETURN (NO. 3)	FA55-32-550	1		
32 555A		BRACKET	FA55-32-555	1		
32 600		PUMP, VANE	FA55-32-610	1		
32 601		PULLEY	H119-32-620	1		
32 607B		ELBOW, RETURN	HB40-32-607	1		
32 610		SEALING KIT	HB40-32-610	1		
32 611		BOLT	HB40-32-611	1		
32 612B		DIPSTICK	HB40-32-612	1		
32 613		NIPPLE	FA56-32-613	1		
32 616		BOLT	FA56-32-616	1		
32 620A		SWITCH, PRESSURE	FA56-32-620C	1		
32 621		NUT	HB40-32-621	1		
32 627		VALVE, CONTROL	FA55-32-500	1		
32 682		HOSE	FA55-32-460B	1		
32 690		TANK	FA56-32-690	1		

3300A-1 FRONT AXLE & BRAKES



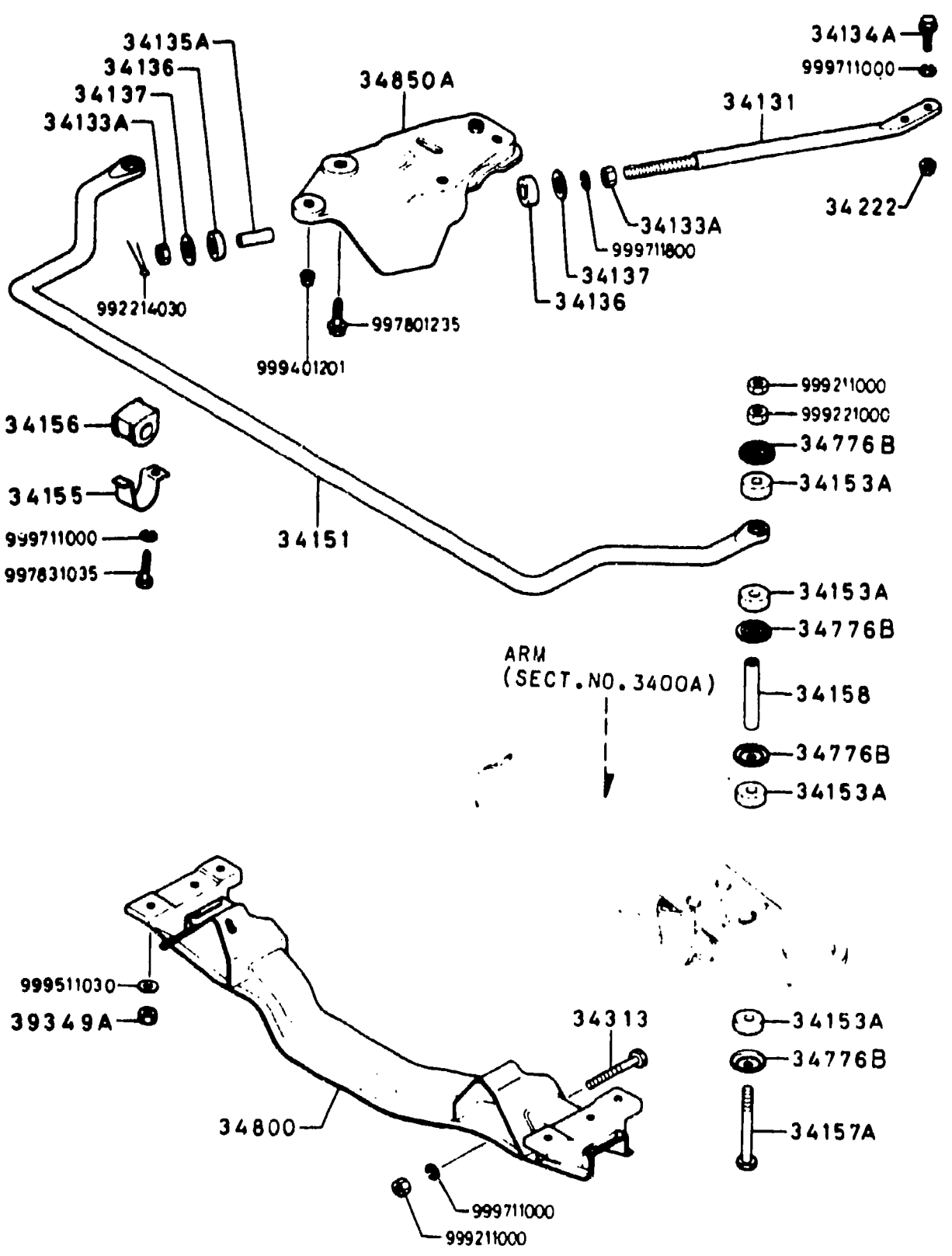
ITEM NO.	D-CODE	DESCRIPTION	PART NO.	QTY	MODEL/DESCRIPTION	REMARKS
32 062		BOLT, WHEEL	8595-26-113	8	13B (GSL-SE)	
33 042		NUT	0662-33-042	2		
33 043		WASHER, TAB	1011-33-043	2		
33 047		BEARING, FRONT WHEEL	8545-33-047	2		
33 049		COVER, SET	0662-33-049	2		
33 065		SEAL, OIL	1312-33-065	2		
33 071		CAP, HUB	H001-33-071	2		
33 075		BEARING, FRONT WHEEL	1391-33-075	2		
33 251B		PLATE, HUB/DISC	FA54-33-251B	2	12A (S, GS, GSU)	
			FA66-33-251B	2	13B (GSL-SE)	
33 260		ADAPTER (R), MOUNTING	FA54-33-260A	1	12A (S, GS, GSU)	
			FA66-33-260A	1	13B (GSL-SE)	
		ADAPTER (L), MOUNTING	FA54-33-270A	1	12A (S, GS, GSU)	
			FA66-33-270A	1	13B (GSL-SE)	
33 651		PISTON	8341-33-651A	1		
33 691		SCREW, BLEEDER	0233-33-691	2		
33 693		CAP, RUBBER	0255-33-693	4		
33 694		PIN, GUDE	8341-33-694	2		
33 698A		PIN	8341-33-699	2	12A (S, GS, GSU)	
			FA66-33-699	2	13B (GSL-SE)	
33 699		BOLT, CALIPER BRAKE	0305-33-699	4	13B (GSL-SE)	
33 980		CALIPER (R), FRT. BRAKE	FA57-33-980	1	12A (S, GS, GSU)	
			FA66-33-980	1	13B (GSL-SE)	
		CALIPER (L), FRT. BRAKE	FA57-33-990	1	12A (S, GS, GSU)	
			FA66-33-990	1	13B (GSL-SE)	
49 240C		SEAL KIT	8341-49-240	1		
49 250B		BOOT KIT	8341-49-250	1	12A (S, GS, GSU)	
			FA66-49-250	1	13B (GSL-SE)	
49 280B		PAD SET, FRONT CALIPER	8871-49-280A	1	12A (S, GS, GSU)	
			FA66-49-280	1	13B (GSL-SE)	
49 290B		ATTACHMENT-PAD	8341-49-290A	1	12A (S, GS, GSU)	
			FA66-49-290A	1	13B (GSL-SE)	

3400A-1 FRONT SUSPENSION



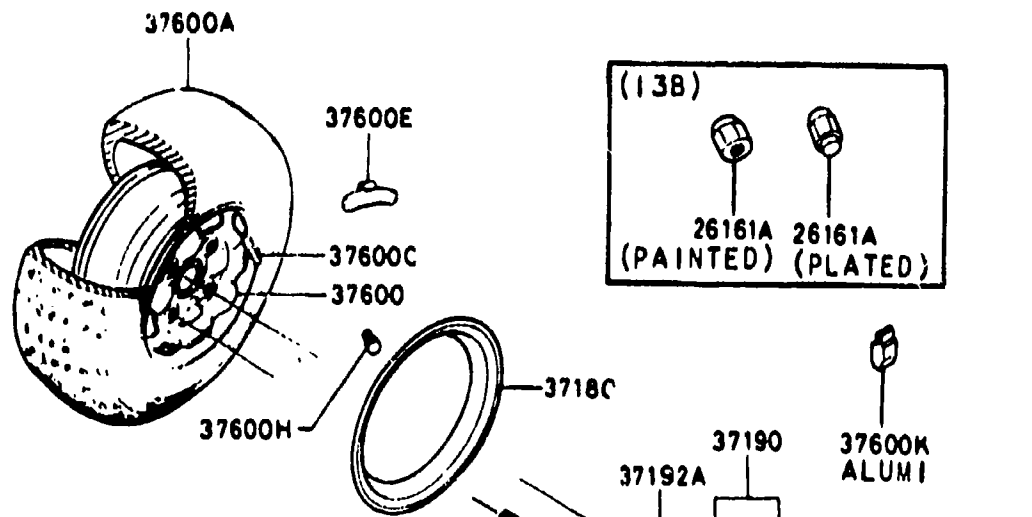
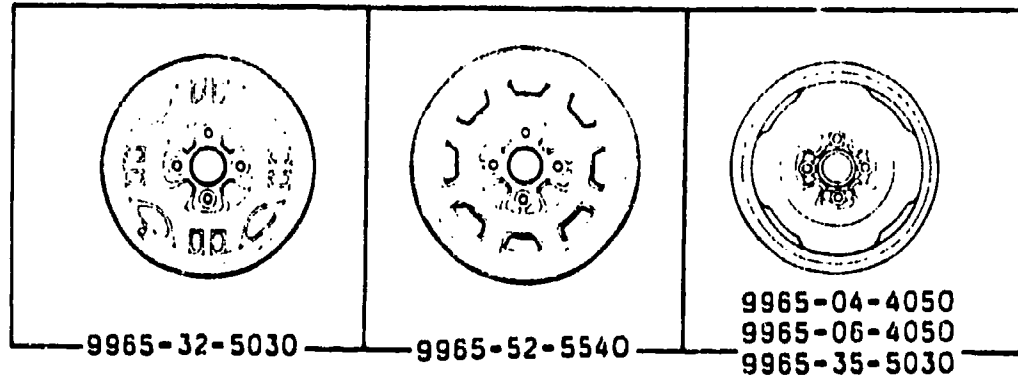
ITEM NO.	D-CODE	DESCRIPTION	PART NO.	QTY	MODEL/DESCRIPTION	REMARKS
32 301A		ARM (R), KNUCKLE	8871-32-301C	1		
		ARM (L), KNUCKLE	8871-32-311C	1		
32 315A		BOIT, STOPPER	0603-32-315	2		
34 011B		SPRING (R), COIL	FA01-34-011A	1	12A (S, GS, GSU)	
			FA66-34-011	1	13B (GSL-SE)	
		SPRING (L), COIL	FA01-34-011A	1	12A (S, GS, GSU)	
			FA67-34-011	1	13B (GSL-SE)	
34 012		SHEET, RUBBER	FA01-34-012	2		
34 013		PLATE, ADJUST	1011-34-013	2		
34 015		COVER, DUST	FA01-34-015	2		
34 019		CAP, DAMPER	1011-34-019	2		
34 111		BUMPER, BOUND	8871-34-111A	2		
34 159A		STOPPER, STEERING	1243-34-159	2		
34 340		SHEET, SPRING-UPPER	FA01-34-340A	2		
34 380		BLOCK, MOUNTING	FA01-34-390A	2		
34 384		SPACER	FA01-34-384	2		
34 460		BUSHING, ARM	8173-34-460B	2		
34 565		SEAL, DUST	8531-34-565	2		
34 731		O-RING	8171-34-731	1		
34 760S		SEAL SET, DAMPER	8171-34-970	2		
34 910A		DAMPER	FA55-34-910A	2	12A (S, GS, GSU)	
			FA66-34-910B	2	13B (GSL-SE)	
49 310A		ARM & BALL JOINT (R)	FA54-49-310	1		
		ARM & BALL JOINT (L)	FA54-49-320	1		
49 790A		CARTRIDGE, DAMPER	FA01-49-790	2	12A (S, GS, GSU)	
			FA66-49-790	2	13B (GSL-SE)	

3410A-1 CROSSMEMBER & STABILIZER

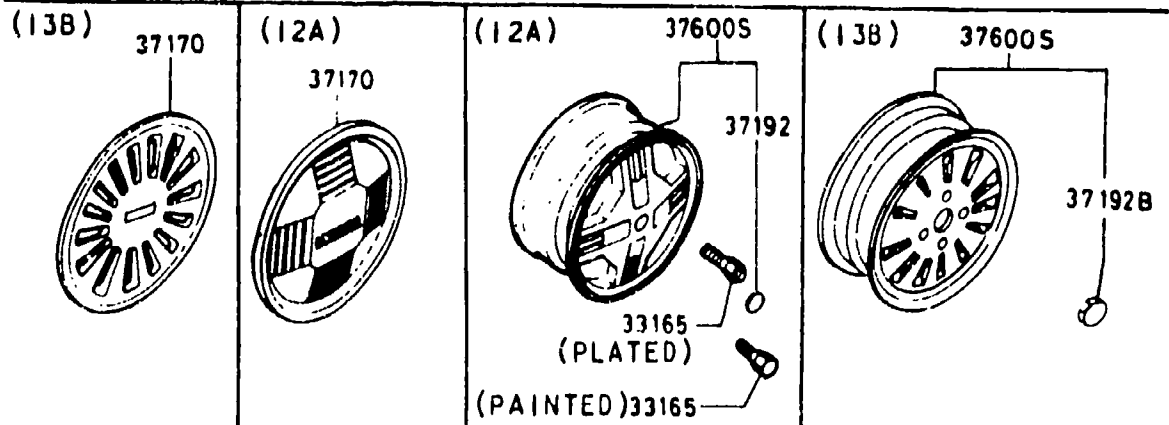
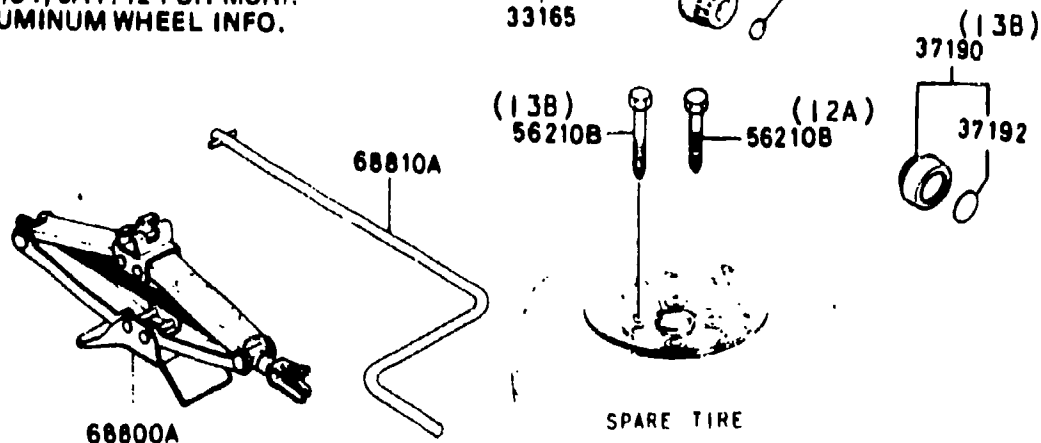


ITEM NO.	D-CODE	DESCRIPTION	PART NO.	QTY	MODEL/DESCRIPTION	REMARKS
34 131		ROD, TENSION	8871-34-131A	2		
34 133A		NUT, TENSION ROD	8871-34-133A	4		
34 134A		BOLT, TENSION ROD	8871-34-134A	4		
34 135A		SPACER	8871-34-135A	2		
34 136		CUSHION	8871-34-136B	4		
34 137		RETAINER	8871-34-137A	4		
34 151		STABILIZER	8871-34-151	1		
34 153A		BUSHING, STABILIZER	1243-34-153	8		
34 155		PLATE, STABILIZER	FA01-34-155	2		
34 156		BUSHING	8871-34-156A	2		
34 157A		BOLT, STABILIZER	0603-34-157A	2		
34 158		SPACER, STABILIZER	0603-34-158	2		
34 222		NUT	8871-34-222	4		
34 313		BOLT, ARM	8001-28-114	2		
34 776B		RETAINER	0223-28-776	8		
34 800		MEMBER, CROSS	FA55-34-800	1	12A A/T (S, GS, GSU)	
			8871-34-800C	1	12A M/T (S, GS, GSU)	
			FA66-34-800	1	13B (GSI-SE)	
34 850A		BRACKET (R), TENSION ROD	8871-34-850D	1		
		BRACKET (L), TENSION ROD	8871-34-860D	1		
39 349A		NUT, CROSS MEMBER	1391-39-349	4		

3700A-1 TIRE & JACK

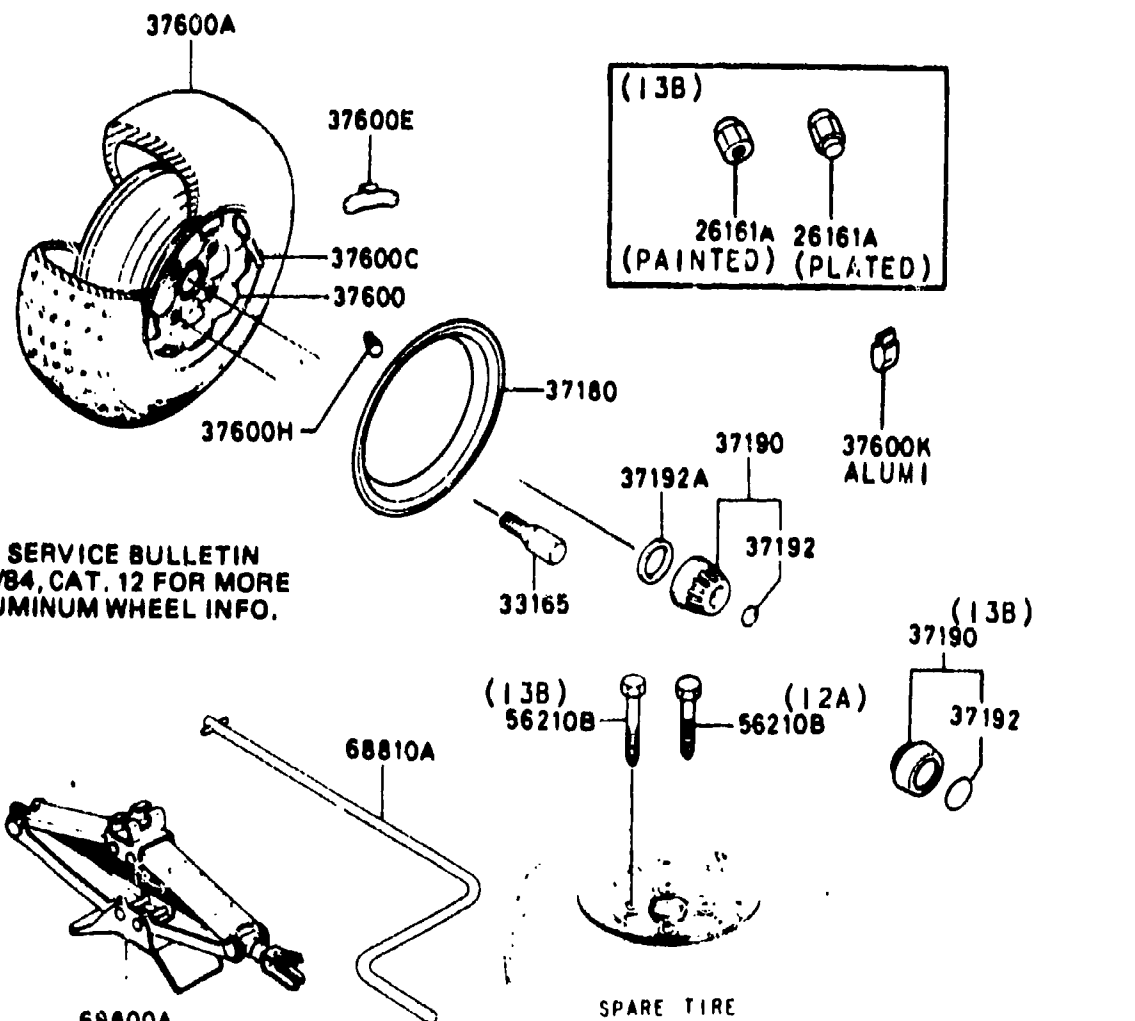
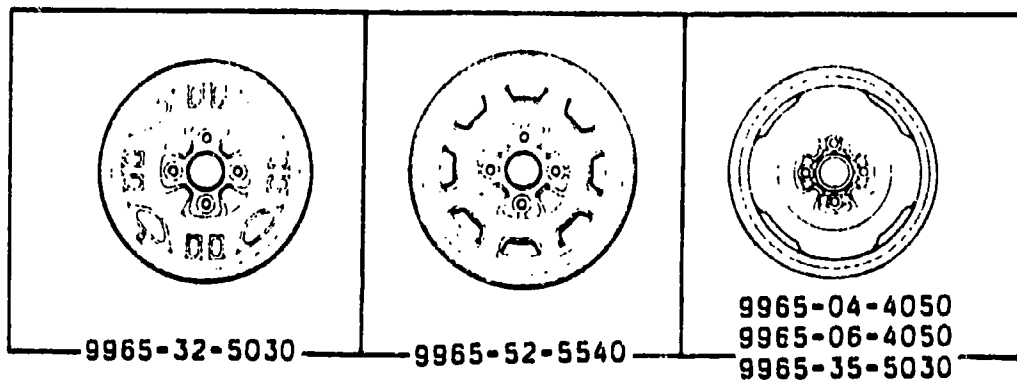


SEE SERVICE BULLETIN 001/84, CAT. 12 FOR MORE ALUMINUM WHEEL INFO.

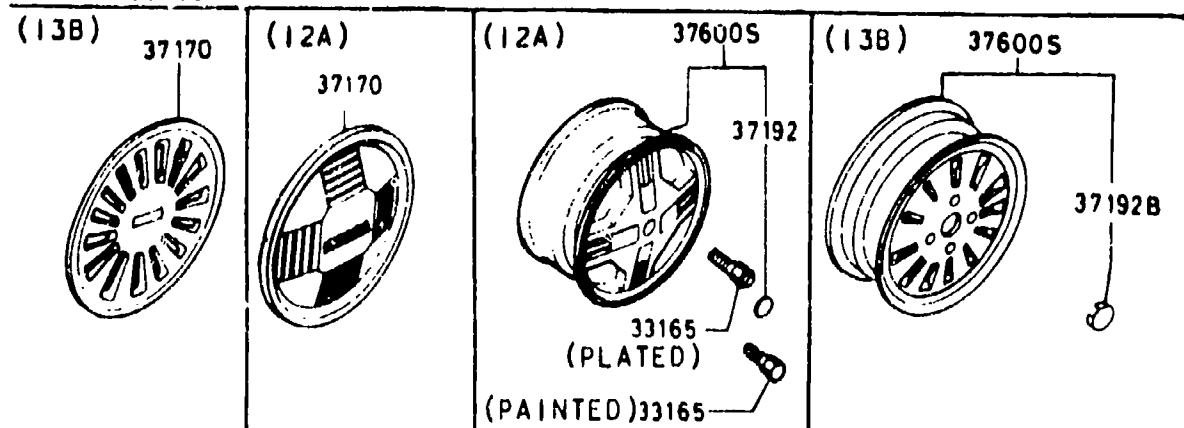


ITEM NO.	D-CODE	DESCRIPTION	PART NO.	QTY	MODEL/DESCRIPTION	REMARKS
26 161A		NUT, HUB	8002-37-160	16	13B (GSL-SE) (PLATED)	
			0603-26-161	16	13B (GSL-SE) (PAINTED)	
33 165		BOLT, WHEEL SET	SEE ACCESSORY BULLETIN XE-5 FOR WHEEL LOCK INFORMATION			
			1029-33-165	16	12A (S, GS, GSL) (PLATED)	
			8531-33-165	16	12A (S, GS, GSL) (PAINTED)	
			<A> 8532-33-165	16		
			8595-26-113	8	13B (GSL-SE)	
37 170		CAP, WHEEL	G002-37-190	4	12A (S,GS,GSL)	FB33* .. 800001-856208
			H116-37-170	4	13B (GSL-SE) THRU JULY '84	
37 180		RING, WHEEL	1011-37-182D	4	12A (S, GS, GSL)	
			H002-37-182A	4	13B (GSL-SE)	
37 190		CAP, CENTER	8871-37-190	4	12A (S, GS, GSL)	
			B001-37-190	4	13B (GSL-SE)	
37 192		EMBLEM	FA01-37-191	4	12A (S, GS, GSL) (FOR ALUMI. WHEEL)	
			8871-37-192	4	12A (S, GS, GSL) (FOR STEEL WHEEL)	
			B001-37-192	4	13B (GSL-SE) (FOR STEEL WHEEL)	
37 192A		RUBBER, SET	8531-37-193C	4	12A (S, GS, GSL) (FOR CENTER CAP)	
37 192B		EMBLEM	H115-37-192	4	13B (GSL-SE) (FOR ALUMI. WHEEL)	
37 600		WHEEL	9965-04-4050		(TEMPORARY) (S, GS, GSL)	
			9965-06-4050	1	13B (GSL-SE) (4-TX15) (TEMPORARY)	
			9965-38-5030	4	12A (S, GS, GSL) (5JX13WDC) (DESIGN STEEL WHL)	
		SUNBEAM SILVER M.	K3			
		SUNBEAM SILVER M.	K3			
			9965-52-5540	1	13B (GSL-SE) (5.5-JJX14WDC) (STEEL WHL) THRU JULY '84 PROD.	FB33* .. 800001-856208
		TIRE				
		SEE ACCESSORY BULLETIN XE-1 FOR MC XE TIRE INFO.				
37 600C		VALVE, AIR	9963-60-4130			
37 600E		WEIGHT, BALANCING	9965-53-0010		(10G)	

3700A-2 TIRE & JACK

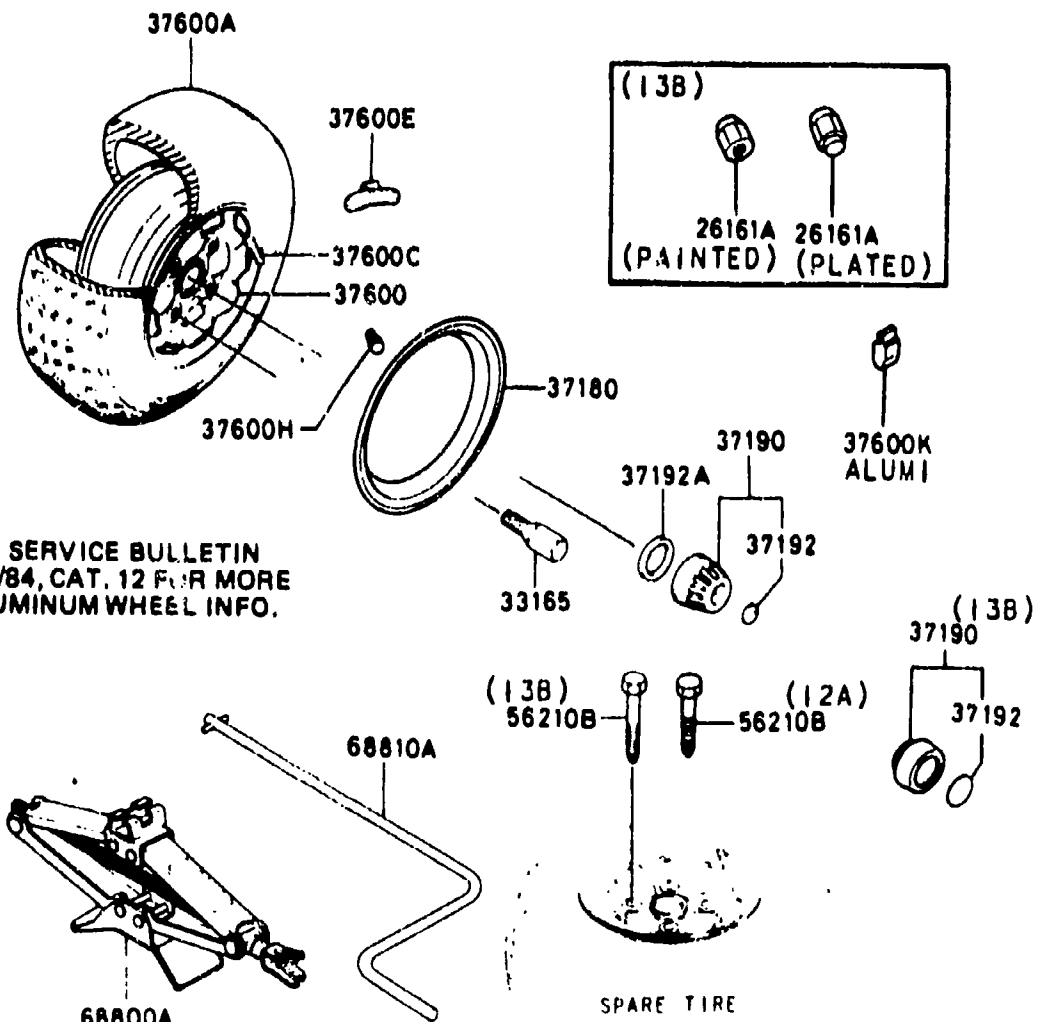
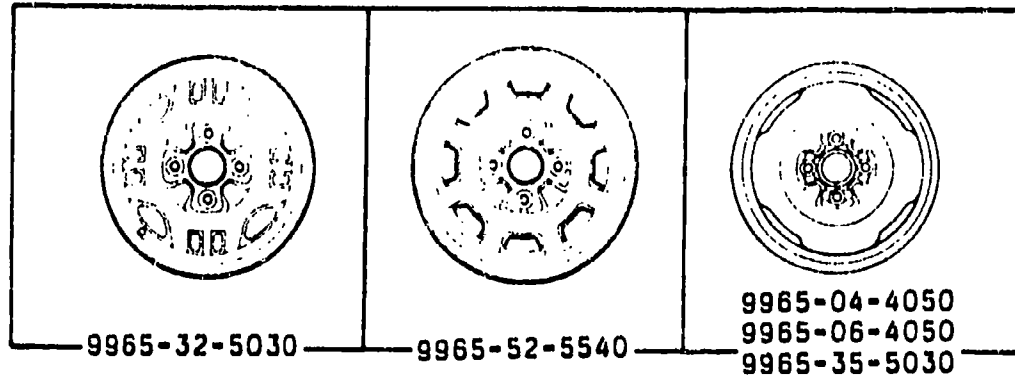


SEE SERVICE BULLETIN 001/84, CAT. 12 FOR MORE ALUMINUM WHEEL INFO.

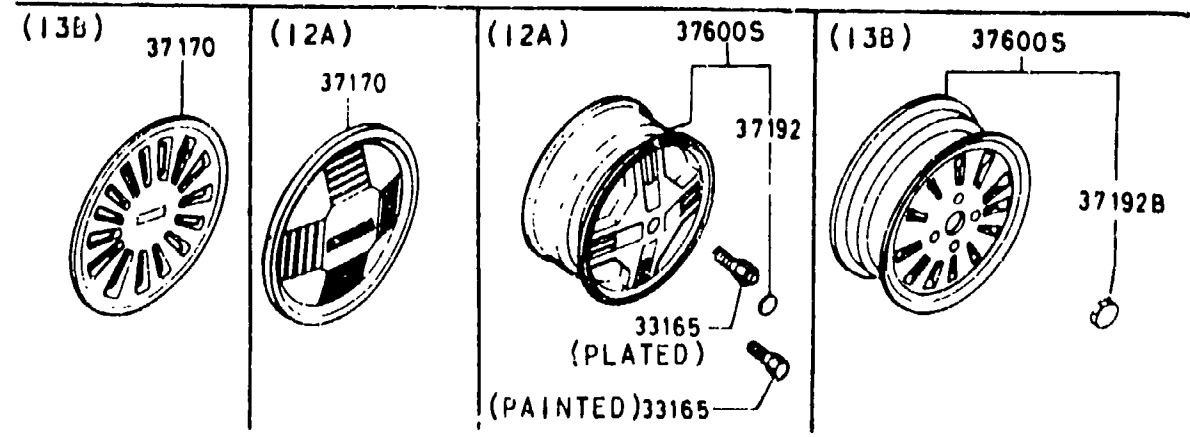
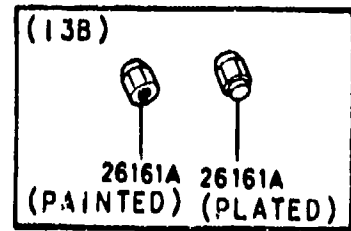


ITEM NO.	D-CODE	DESCRIPTION	PART NO.	QTY	MODEL/DESCRIPTION	REMARKS
37 600E (CONT'D)			9965-53-0015		(15G)	
			9965-53-0020		(20G)	
			9965-53-0025		(25G)	
			9965-53-0030		(30G)	
			9965-53-0035		(35G)	
			9965-53-0040		(40G)	
			9965-53-0045		(45G)	
			9965-53-0050		(50G)	
			9965-53-0060		(60G)	
	37 600H	EXTENSION, AIR VALVE	9963-72-0221	1	13B (GSL-SE)	
	37 600K	WEIGHT, BALANCE-ALUMINUM (ADHESIVE TYPE)	9965-59-0010		(10G) S, GS, GSL	
			9965-59-0015		(15G) S, GS, GSL	
		WEIGHT, BALANCE-ALUMINUM (ADHESIVE TYPE)	9965-59-0020		(20G) S, GS, GSL	
			9965-59-0025		(25G) S, GS, GSL	
9965-59-0030				(30G) S, GS, GSL		
9965-59-0035				(35G) S, GS, GSL		
9965-59-0040				(40G) S, GS, GSL		
9965-59-0045				(45G) S, GS, GSL		
9965-59-0050				(50G) S, GS, GSL		
9965-59-0060				(60G) S, GS, GSL		
9965-61-0010				(10G) GSL-SE		
9965-61-0015				(15G) GSL-SE		
9965-61-0020				(20G) GSL-SE		
9965-61-0025				(25G) GSL-SE		
9965-61-0030		(30G) GSL-SE				
9965-61-0035		(35G) GSL-SE				
9965-61-0040		(40G) GSL-SE				
9965-61-0045		(45G) GSL-SE				
9965-61-0050		(50G) GSL-SE				
9965-61-0060		(60G) GSL-SE				
37 600S	WHEEL SET, ALUMINUM	FA01-89-376		12A (S, GS, GSJ) (S, 5JXX13WDC)		
		M: 5-89-376	5	13B (GSL-SE) (S, 5JXX14)		
	REFER TO SERVICE BULLETIN 002/85 CAT. 12 FOR TIRE CHANGER INFORMATION					
	REFER TO PARTS BULL. NO. T-2-1 FOR MORE INFO.					
56 210B	CLAMP, SPARE TIRE	FA54-56-961	1	12A (S, GS, GSJ)		
		FO02-56-961	1	13B (GSL-SE)		

3700A-3 TIRE & JACK

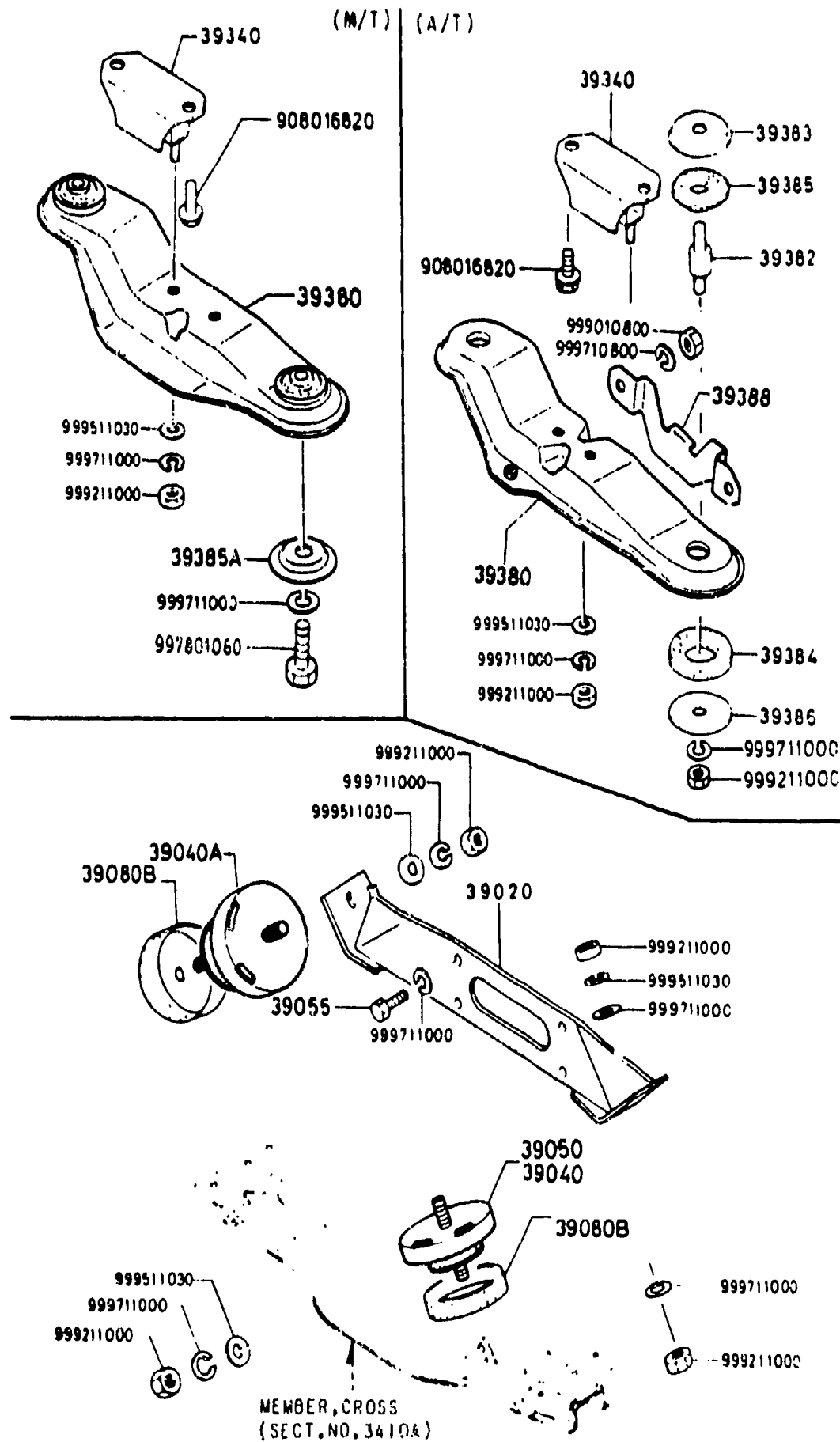


SEE SERVICE BULLETIN
 001/84, CAT. 12 FOR MORE
 ALUMINUM WHEEL INFO.



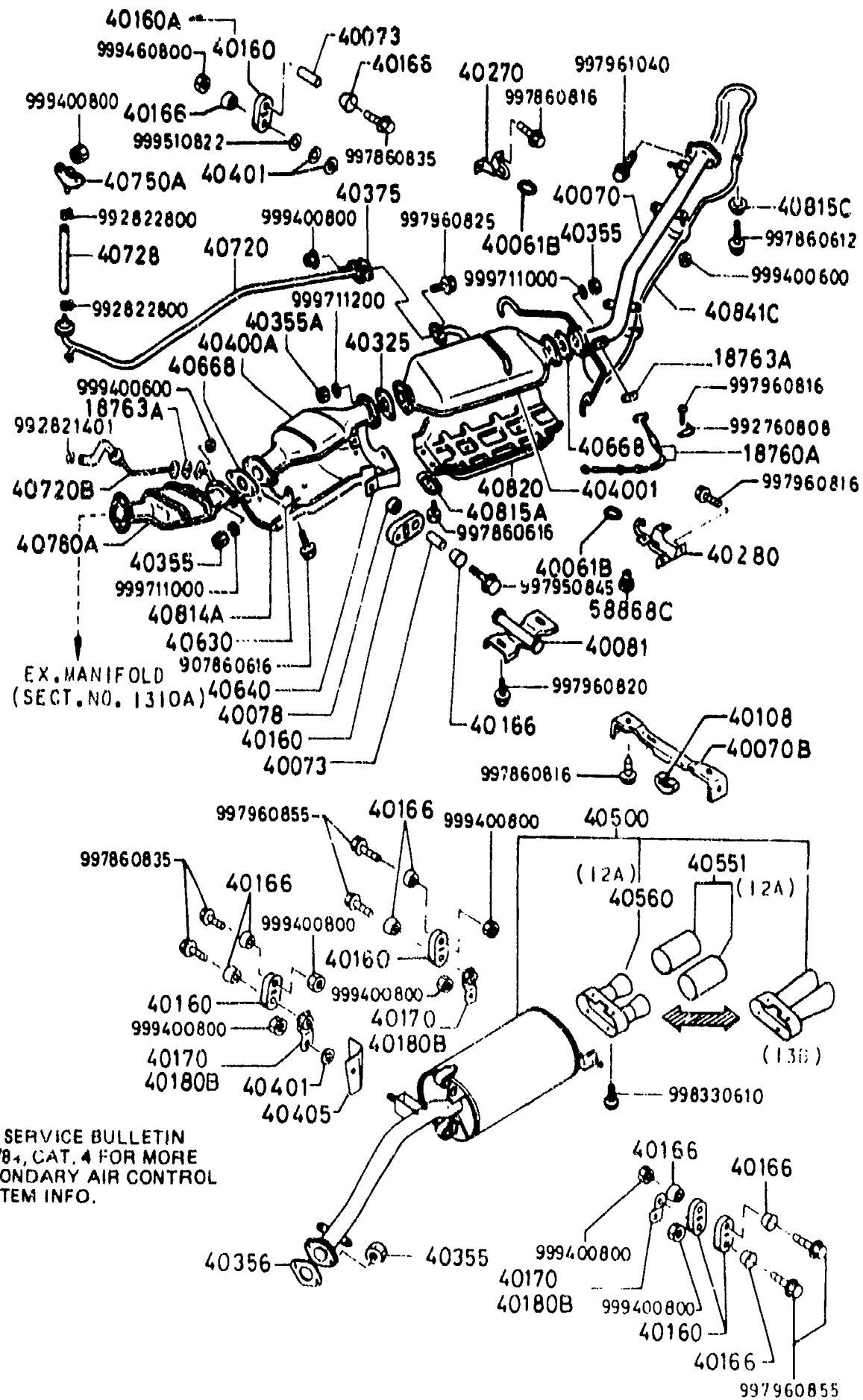
ITEM NO.	D-CODE	DESCRIPTION	PART NO.	QTY	MODEL/DESCRIPTION	REMARKS
68 800A		JACK	8871-37-790D	1		
68 810A		HANDLE, JACK	0305-68-810A	1		

3900A-1 ENGINE & TRANSMISSION MOUNTINGS



ITEM NO.	D-CODE	DESCRIPTION	PART NO.	QTY	MODEL/DESCRIPTION	REMARKS
39 020		BRACKET, ENGINE MTG.	8871-39-021B	1		
39 040		RUBBER (L), ENGINE MTG.	FA55-39-040	1	13B (GSI-SE) 12A A/T (S, GS, GSI)	
39 040A		RUBBER (R), ENGINE MTG.	1668-39-040D	1		
39 045		CASING (L), STOPPER	FA55-39-045	1	13B (GSI-SE) 12A A/T (S, GS, GSI)	
39 050		RUBBER (L), ENGINE MTG.	8545-39-040	1	12A M/T (S, GS, GSI)	
39 055		BOLT	8788-39-055	4		
39 080B		CASING, STOPPER	1668-39-045B	2	12A M/T 1 13B, 12A A/T (R)	
39 340		RUBBER, T/MISSION MTG.	FA55-39-340B 1011-39-340A	1	A/T M/T	
39 380		MEMBER, T/MISSION MTG.	FA55-39-380C FA66-39-350A	1	A/T M/T	
39 382		STUD	FA55-39-372	2	A/T	
39 383		WASHER	0884-39-383A	2	A/T	
39 384		INSULATOR, LOWER	8599-39-384A	2	A/T	
39 385		INSULATOR, UPPER	F001-39-375	2	A/T	
39 385A		WASHER	FA66-39-385	2	M/T	
39 386		WASHER	0884-39-386	2	A/T	
39 388		STOPPER, T/MISSION MTG.	FA55-39-388A	1	A/T	

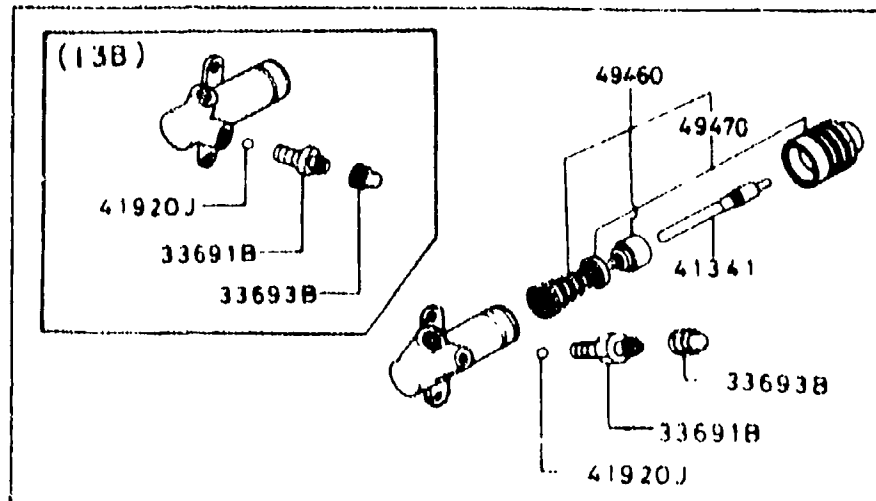
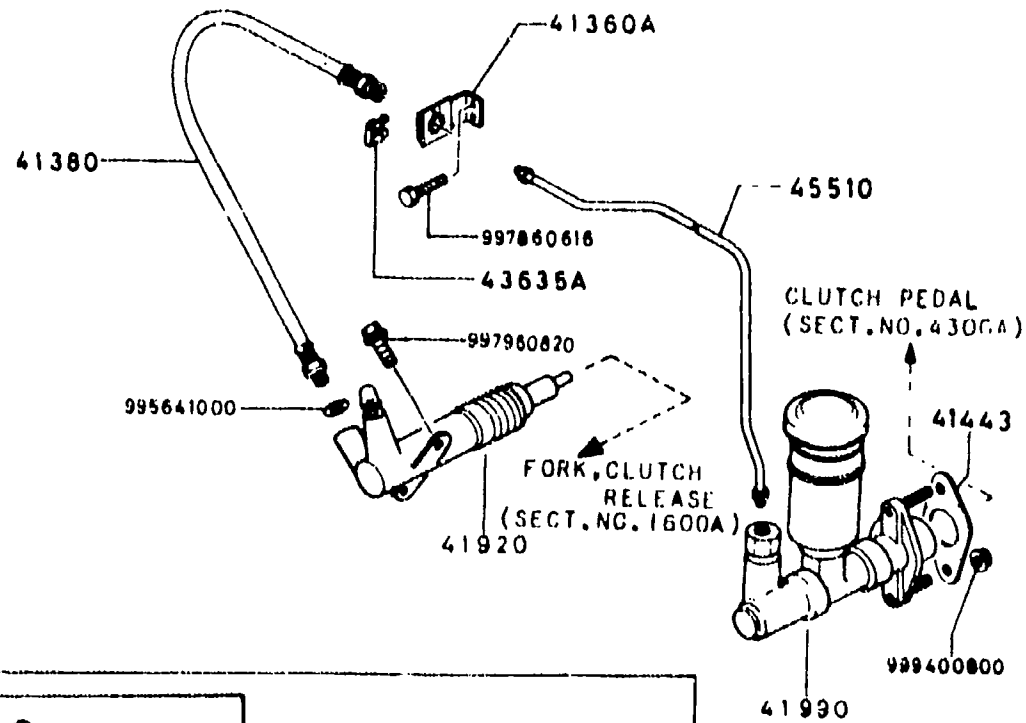
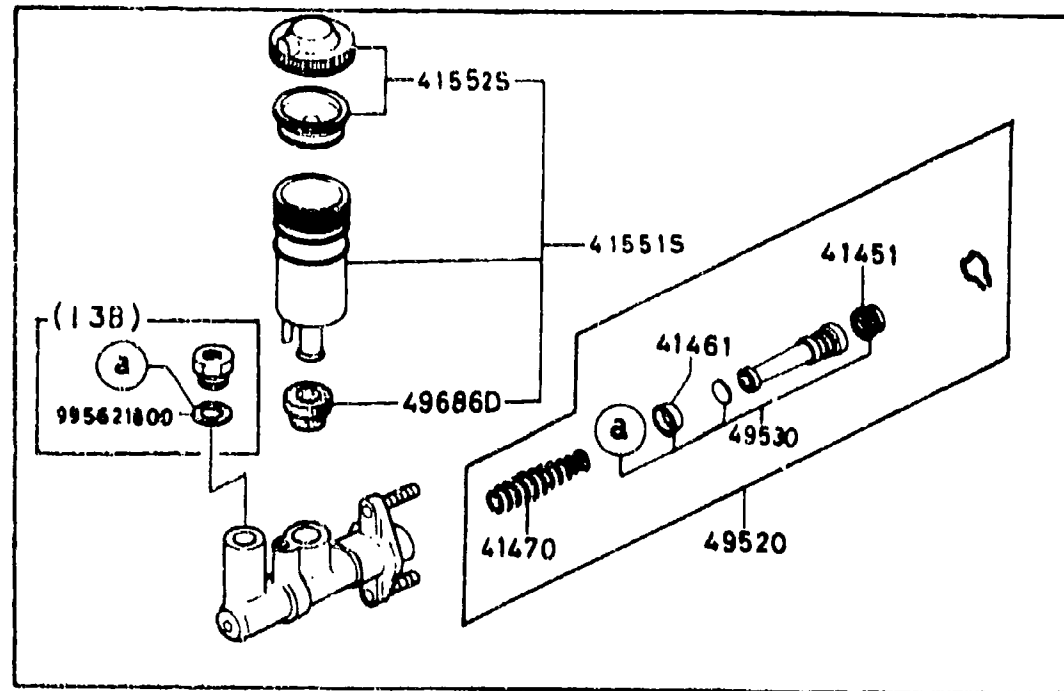
4000A-1 EXHAUST SYSTEM



SEE SERVICE BULLETIN
002/84, CAT. 4 FOR MORE
SECONDARY AIR CONTROL
SYSTEM INFO.

ITEM NO.	D-CODE	DESCRIPTION	PART NO.	QTY	MODEL/DESCRIPTION	REMARKS
	18 760A	SENSOR, THERMO	N249-18-761	1	12A (S, GS, GSU)	
	18 763A	GASKET	8131-18-763	2	12A (S, GS, GSU)	
	40 061B	RUBBER, HANGER	N225-40-061	2		
	40 070	PIPE	N249-40-200B	1	12A M/T (S, GS, GSU) THRU FEB. '84 PROD.	FB33* ..800001-825342
			N249-40-200C	1	12A M/T (S, GS, GSU) FROM MAR. '84 PROD.	FB33* ..825343-
			N250-40-200C	1	A/T (S, GS, GSU) THRU FEB. '84 PROD.	FB33* ..800001-825342
			N250-40-200D	1	A/T (S, GS, GSU) FROM MAR. '84 PROD.	FB33* ..825343-
			N304-40-200A	1	13B (GSI-SE) THRU FEB. '84 PROD.	FB33* ..800001-825342
			N304-40-200B	1	13B (GSI-SE) FROM MAR. '84 PROD.	FB33* ..825343-
	40 070B	BRACKET	8871-40-010	1		
	40 073	SPACER	N305-40-073	1		
	40 078	GASKET	N304-40-078A	1		
	40 081	BRACKET	N250-40-080B	1	84 MODEL A/T	
			N304-40-080B	1	84 MODEL M/T	
	40 108	RUBBER, STOP	1114-40-108B	1		
	40 160	HANGER, SILENCER	N304-40-161A	1		
			1114-40-160	4		
	40 160A	HANGER, SILENCER	N305-40-030	1		
	40 166	WASHER	0820-40-166	9		
	40 170	PLATE	8871-40-180	3	12A (S, GS, GSU)	
	40 180B	PLATE, HANGER	N304-40-180	1	13B (GSI-SE)	
	40 270	HOOK	1480-40-270	1		
	40 280	HOOK	1480-40-280A	1		
	40 325	GASKET	1480-40-325	1		
	40 355	NUT, FLANGE	8134-40-355	4	THRU AUG. '84 PROD.	FB33* ..800001-86182B
			E508-20-524	2	FROM SEP. '84 PROD.	FB33* ..861829-
	40 355A	NUT	8118-40-355	2	13B (GSI-SE)	
	40 356	GASKET	8182-40-356	1		
	40 375	GASKET	1480-40-375	1		
	40 4001	CONVERTER, MONOLITH	N304-40-300	1		
	40 400A	CONVERTER NO 2, PRE	N249-40-400B	1	M T	
			N250-40-400B	1	A-T	
	40 401	INSULATOR	8871-40-401	3		
	40 405	INSULATOR	8871-40-405A	1		
	40 500	SILENCER, MAIN	N229-40-500A	1	12A (S, GS, GSU)	
			N304-40-500C	1	13B (GSI-SE)	
	40 551	COVER	8871-40-551	2	12A (S, GS, GSU)	

4140A-1 CLUTCH RELEASE & MASTER CYLINDERS (M/T)

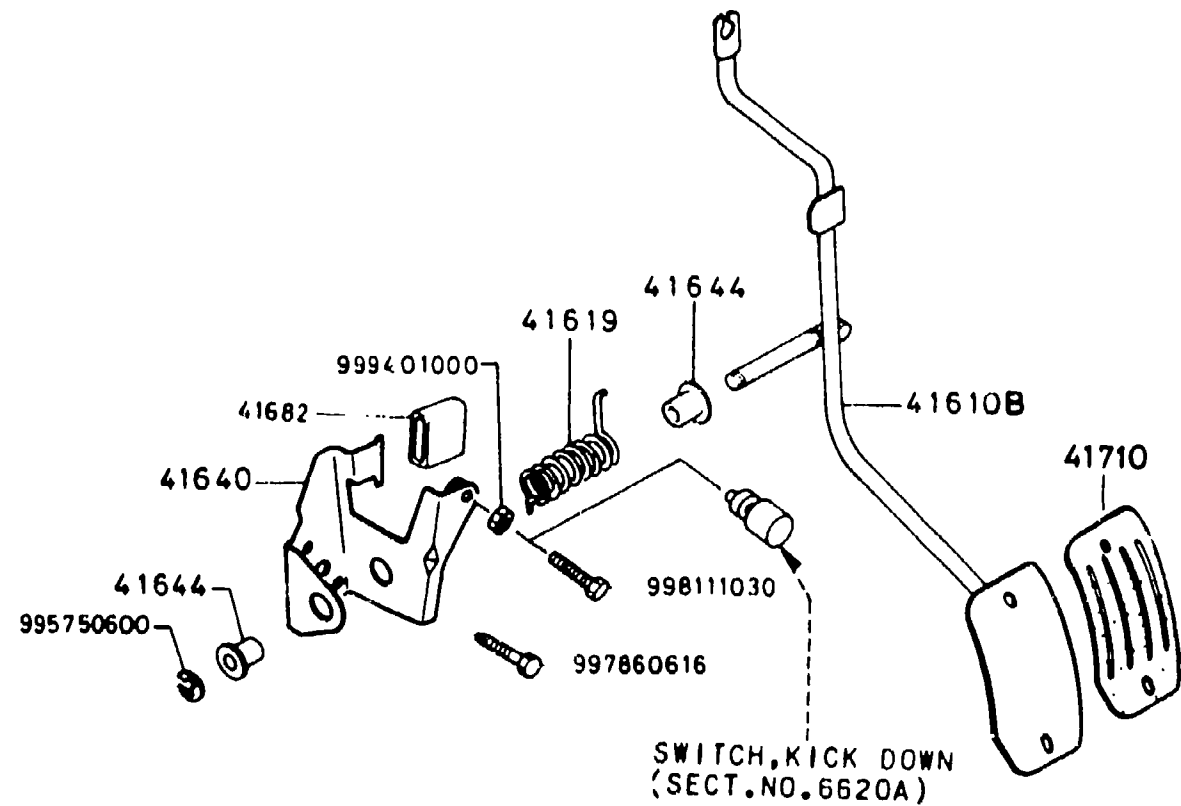
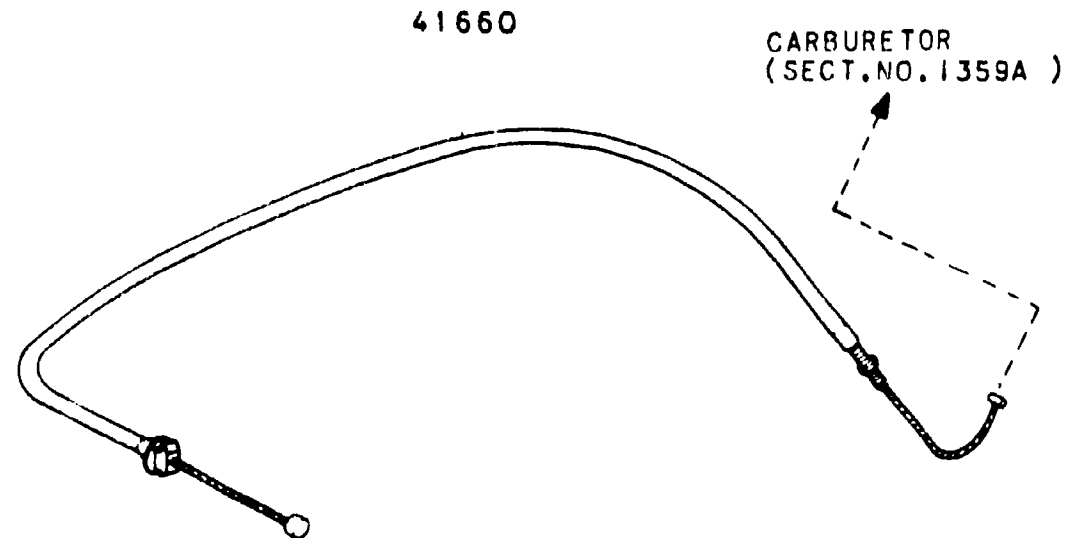


ITEM NO.	D-CODE	DESCRIPTION	PART NO	QTY	MODEL/DESCRIPTION	REMARKS
33 691B		SCREW, BLEEDER	0259-33-691	1		
33 693B		CAP, BLEEDER	0259-33-693	1		
41 341		ROD	H005-41-341	1		
41 360A		HOLDER	8871-41-370	1		
41 380		HOSE, FLEXIBLE	G011-41-380	1		
41 443		GASKET	H001-41-443	1		
41 451		CUP, SECONDARY	0305-41-451	1		
41 461		CUP, PRIMARY	0839-41-461	1		
41 470		SPRING	GA02-41-470	1	FROM APR. '84 PROD	FB33* .829422-
41 551S		TANK SET, RESERVE	GA02-49-570B	1		
41 552S		CAP SET, RESERVE TANK	GA02-49-580B	1	THRU NOV. '84 PROD.	FB33* .800001-876903
			8093-49-580	1	FROM DEC '84 PROD	FB33* .876904-
41 920		CYLINDER, CLUTCH RELEASE	FA42-41-920A	1	12A (S. GS. GSI)	
			FA01-41-920	1	13B (GSI-SE)	
41 920J		BALL, STEEL	9961-11-500	1		
41 990		CYLINDER, CLUTCH MASTER	FA54-41-400A	1	12A (S. GS. GSI)	
			FA66-41-400A	1	13B (GSI-SE)	
43 635A		CLIP, FLEXIBLE HOSE	0136-43-635	1		
45 510		PIPE, CLUTCH	FA66-45-510	1		
49 460		PARTS KIT, INNER	H005-49-460	1		
49 470		SEALING KIT	H005-49-470	1		
49 520		PARTS KIT, INNER	GA02-49-520A	1	12A (S. GS. GSI)	
			S008-41-522	1	13B (GSI-SE)	
49 530		SEALING KIT	GA02-49-530	1	12A (S. GS. GSI)	
			W001-49-530	1	13B (GSI-SE)	
			< A >	1	W055-41-532	
49 686D		BUSHING, ELBOW JOINT	0305-49-686B	1		

SECTION INDEX -- CHASSIS

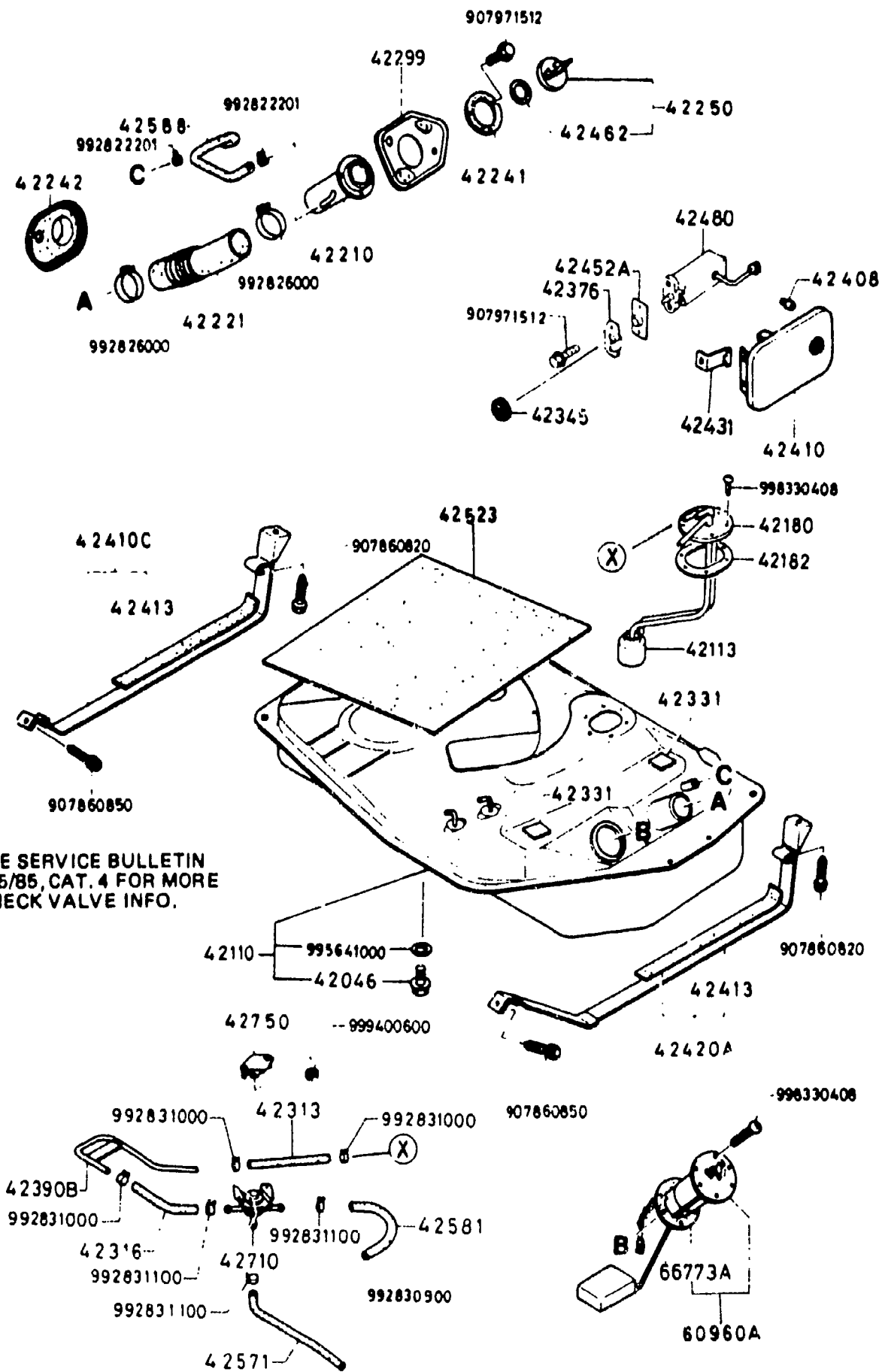
STARTING LOCATION	SECT. NO.	SECTION NAME	STARTING LOCATION	SECT. NO.	SECTION NAME	STARTING LOCATION	SECT. NO.	SECTION NAME
1 - C 9	2500A	PROPELLER SHAFT						
1 - D 9	2600A	REAR AXLE						
1 - E 9	2610A	REAR BRAKES (DRUM) (S, GS)						
1 - F 9	2610AA	REAR BRAKES (DISC) (GSL, GSL-SE)						
1 - G 9	2700A	DIFFERENTIAL (REAR DRUM BRAKES) (S, GS)						
1 - I 9	2700AA	DIFFERENTIAL (REAR DISC BRAKES) (GSL, GSL-SE)						
1 - K 9	2800A	REAR SUSPENSION						
1 - L 9	2810A	REAR STABILIZER						
1 - M 9	3200A	STEERING WHEEL						
1 - N 9	3210A	STEERING COLUMN & GEAR						
1 - C10	3230A	STEERING LINKAGE						
1 - D10	3240A	POWER STEERING SYSTEM						
1 - E10	3300A	FRONT AXLE & BRAKES						
1 - F10	3400A	FRONT SUSPENSION						
1 - G10	3410A	CROSSMEMBER & STABILIZER						
1 - H10	3700A	TIRE & JACK						
1 - K10	3900A	ENGINE & TRANSMISSION MOUNTINGS						
1 - L10	4000A	EXHAUST SYSTEM						
1 - N10	4140A	CLUTCH RELEASE & MASTER CYLINDERS (M-T)						
1 - C11	4160A	ACCELERATOR CONTROLS						
1 - D11	4200A	FUEL TANK						
1 - E11	4300A	CLUTCH & BRAKE PEDALS						
1 - F11	4340A	BRAKE MASTER CYLINDER & POWER BRAKE (REAR DRUM BRAKES) (S, GS)						
1 - G11	4340AA	BRAKE MASTER CYLINDER & POWER BRAKE (REAR DISK BRAKES) (GSL, GSL-SE)						
1 - H11	4360A	BRAKE PIPING (REAR DRUM BRAKE) (S, GS)						
1 - I11	4360AA	BRAKE PIPING (REAR DISC BRAKE) (GSL, GSL-SE)						
1 - J11	4400A	PARKING BRAKE SYSTEM						
1 - L11	4500A	FUEL PIPINGS						
1 - N11	4600A	CHANGE CONTROLS (A T)						

4160A-1 ACCELERATOR CONTROLS



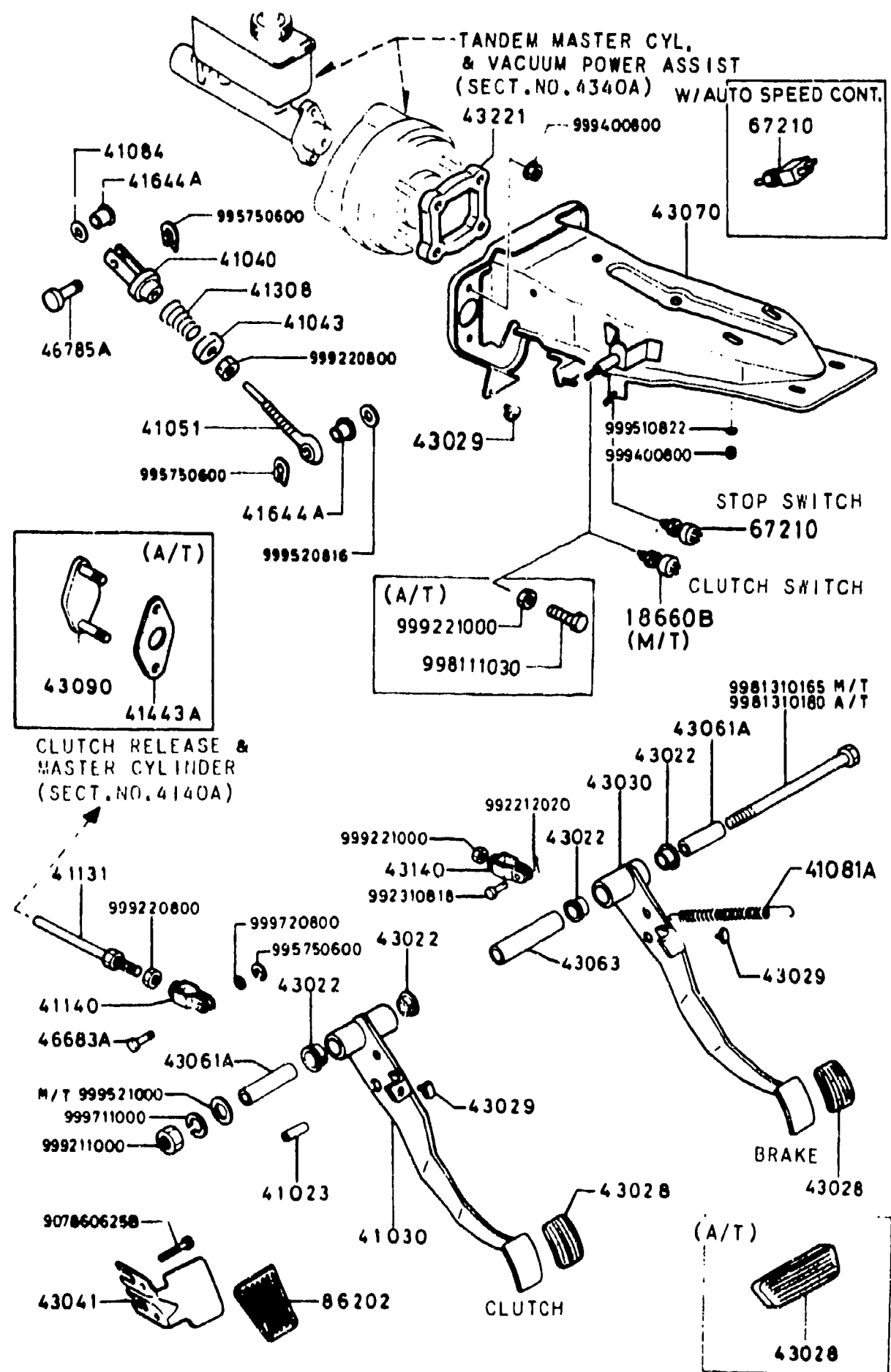
ITEM NO.	D-CODE	DESCRIPTION	PART NO.	QTY	MODEL/DESCRIPTION	REMARKS
41 610B		PEDAL & ARM	FA55-41-610A	1		
41 619		SPRING, RETURN	8239-41-619	1		
			< A > 0824-41-619	1		
41 640		RETAINER, ROD	FA54-41-650A	1		
41 644		BUSHING	0259-41-644	2		
41 660		WIRE, ACCELERATOR	FA54-41-660A	1	12A (S, GS, GSI)	
			FA66-41-660C	1	13B (GSI-SE)	
41 682		STOPPER	B001-41-652	1	FROM SEP. '84 PROD.	FB33* ..861829-
41 710		PEDAL, ACCELERATOR	FA54-41-711A	1		

4200A-1 FUEL TANK



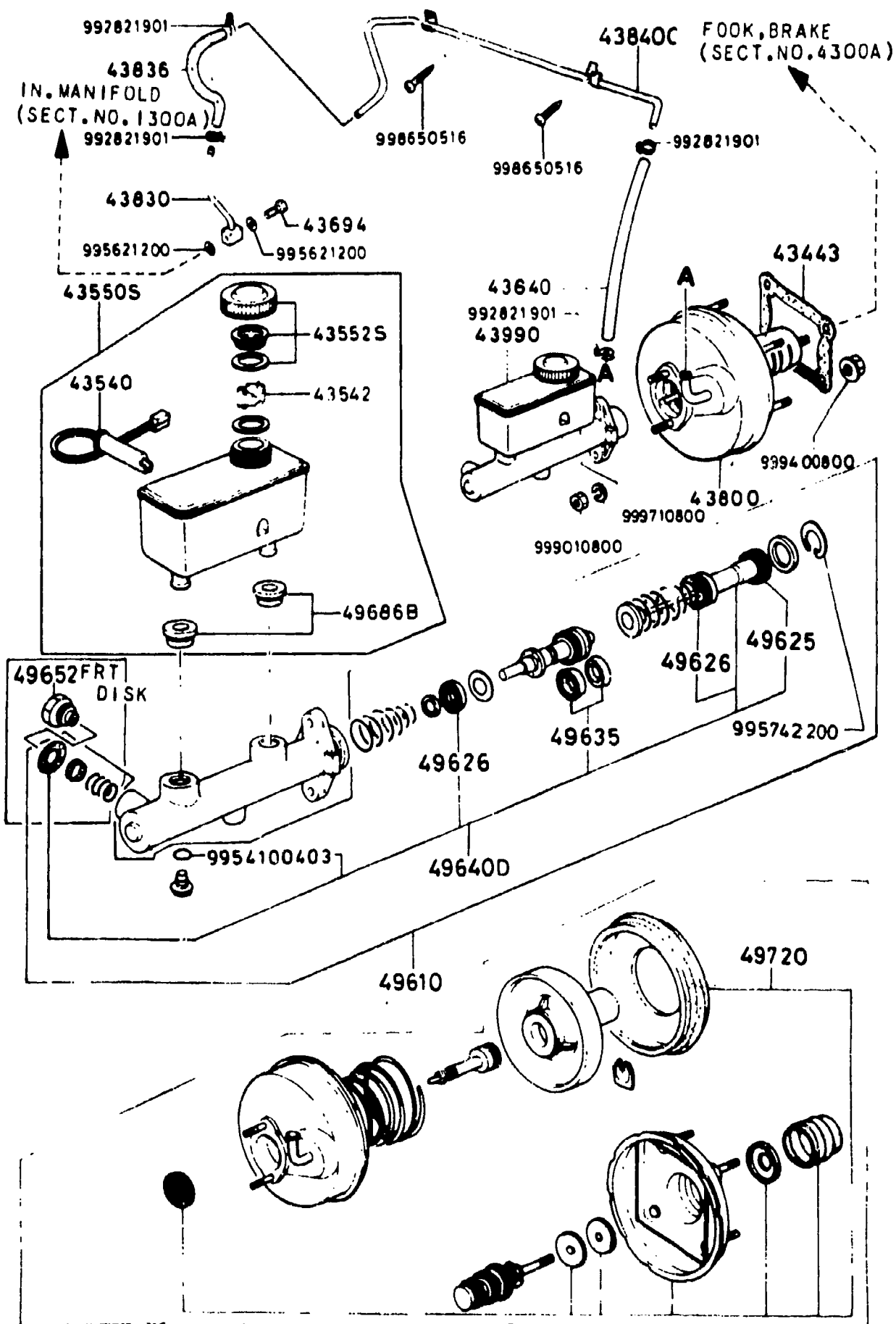
ITEM NO.	D-CODE	DESCRIPTION	PART NO.	QTY	MODEL/DESCRIPTION	REMARKS
42 046		PLUG, DRAIN	BC88-42-045	1		
42 110		TANK, FUEL	FA54-42-110	1	12A (S, GS, GSI)	
			FA66-42-110/	1	13B (GSI-SE)	
42 113		FILTER, FUEL TANK	GA97-42-113	1	12A (S, GS, GSI)	
			G037-42-113A	1	13B (GSI-SE)	
42 180		PIPE, FUEL	FA54-42-180	1	12A (S, GS, GSI)	
			FA66-42-180	1	13B (GSI-SE)	
42 182		GASKET, FUEL PIPE	FA54-42-182	1		
42 210		PIPE, FILLER	FA54-42-210A	1		
42 221		HOSE, FILLER	8344-42-241	1		
42 241		GASKET, FILLER PIPE	0866-42-366B	1		
42 242		RUBBER, SEAL	8871-42-242A	1		
42 250		CAP, FILLER	8871-42-250B-BP	1	(BLISTER PACK)	
42 299		REINFORCEMENT	FA54-42-291A	1		
42 313		TUBE, VENT	9935-10-6999	1	BULK QTY	
42 316		HOSE, VENT	9935-10-6999	1	BULK QTY	
42 331		SHEET	8531-42-761	2		
42 345		GROMMET	FA01-42-453	1		
42 376		PLATE, LOCK	H043-42-451A	1		
42 390B		PIPE, BREATHER	8562-42-530	1		
42 408		STOPPER, FILLER LID	0187-70-491	2		
42 410		LID, FUEL FILLER	FA54-42-410	1		
42 410C		BAND (R), TANK FIXTURE	8871-42-710B	1		
42 413		SHEET	8871-42-745	2		
42 420A		BAND (L), TANK FIXTURE	8871-42-720A	1		
42 431		SPRING LIFT, LID	FA01-42-431B	1		
42 452A		GROMMET	H043-42-452B	1		
42 462		GASKET, CAP	8871-42-365	1		
42 480		OPENER, FILLER LID	F023-42-470B	1		
42 523		PAD, FUEL TANK	8871-42-761	1		
42 571		HOSE, VENT	8871-42-571C	1		
42 581		HOSE, BREATHER	F001-42-581A	1		
42 588		HOSE, VENT	8344-42-245	1		
42 710		VALVE, CHECK	8341-42-910A	1		
		REFER TO SERV. BULL. NO. 015/85 CAT. 4 FOR MORE INFO.				
42 750		BRACKET, CHECK VALVE	8871-42-920	1		
60 960A		GAUGE, FUEL TANK	FA54-60-960	1		
66 773A		GASKET, GAUGE	8871-60-962A	1	FROM FEB. '84 PROD.	FB33* ..819695-

4300A-1 CLUTCH & BRAKE PEDALS



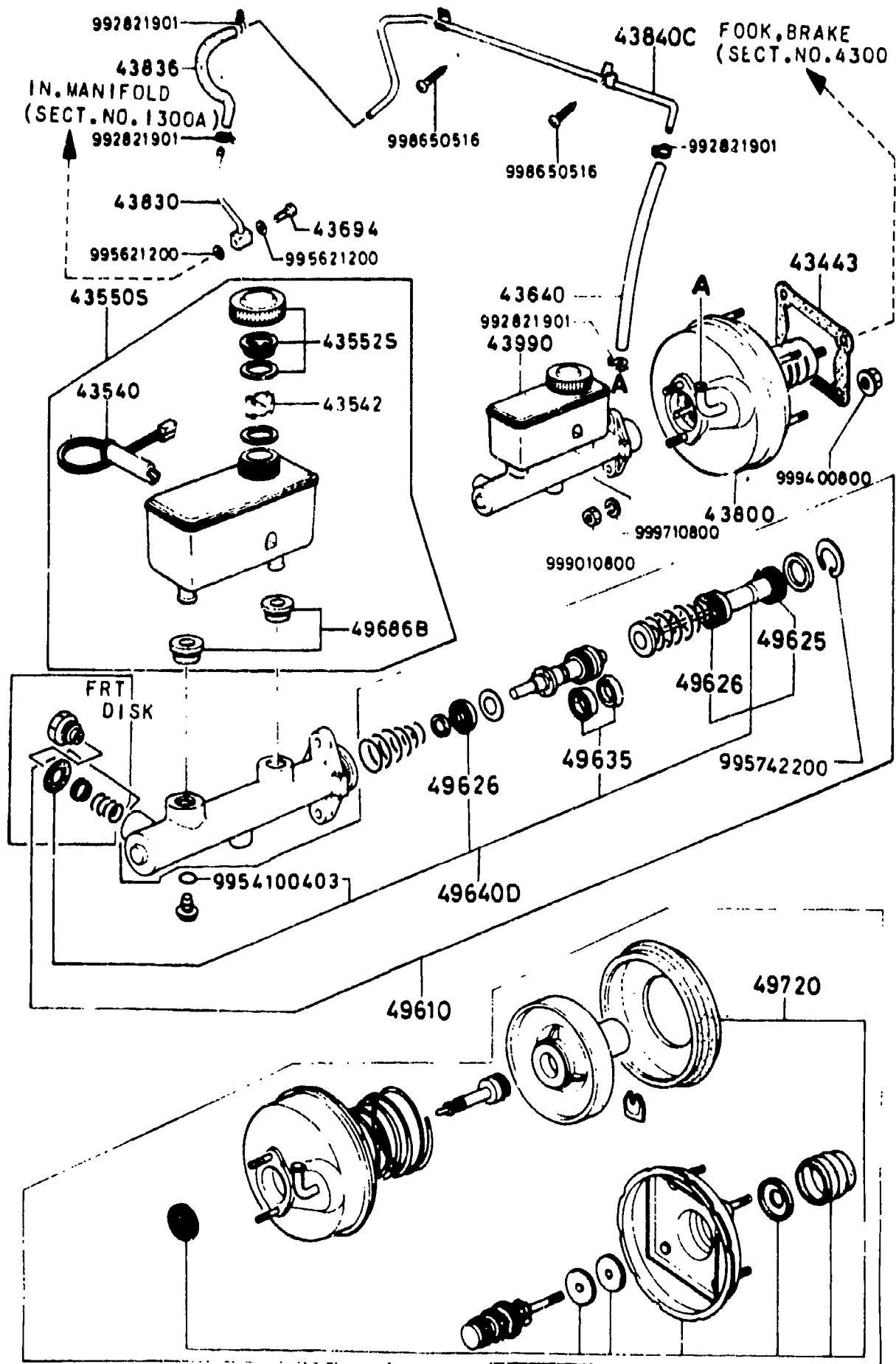
ITEM NO.	D-CODE	DESCRIPTION	PART NO.	QTY	MODEL/DESCRIPTION	REMARKS
18 660B		SWITCH, CLUTCH	H005-66-190B	1	M/T	
41 023		BUSHING, CLUTCH PEDAL	0727-41-023	1	M/T	
41 030		PEDAL, CLUTCH	FA54-41-030B	1	M/T	
41 040		SEAT, SPRING	W090-41-041	1		
41 043		SHEET, SPRING	0183-1-043	1	M/T	
41 051		ROD, CLUTCH PEDAL	0824-41-051A	1	M/T	
41 081A		SPRING, RETURN	0088-41-352A	1		
41 084		SPACER	0824-41-084	1	M/T	
41 131		ROD, PUSH	0727-41-131	1	M/T	
41 140		FORK, CLUTCH	0259-43-140	1	M/T	
41 308		SPRING, RETURN	0559-41-081A	1	M/T	
41 443A		GASKET	H001-41-443	1	A/T	
41 644A		BUSHING	0259-41-644	2	M/T	
43 022		BUSHING, PEDAL	1015-46-085	2	A/T	
43 028		PAD, PEDAL	S083-43-028	4	M/T	
43 028		PAD, PEDAL	0225-43-028A	2	M/T	
43 029		RUBBER, STOPPER	B001-43-029	1	A/T	
43 029		RUBBER, STOPPER	B001-43-029	2	A/T	
43 029		RUBBER, STOPPER	B001-43-029	3	M/T	
43 030		PEDAL, BRAKE	FA54-43-030A	1	M/T	
43 030		PEDAL, BRAKE	FA55-43-030	1	A/T	
43 041		REST, FOOT	FA54-43-041	1		
43 061A		PIPE, PEDAL	0866-43-062	1	A/T	
43 063		SPACER	FA16-43-063	2	M/T	
43 070		BRACKET, MASTER CYLINDER	FA54-43-070B	1		
43 090		PLATE	8672-43-090	1	A/T	
43 140		FORK, BRAKE	1524-43-140	1		
43 221		SPACER	B084-43-221	1		
46 683A		PIN	0223-46-683	1	M/T	
46 785A		PIN	0604-46-785	1	M/T	
67 210		SWITCH, STOP	B001-66-490A	1	(W/O AUTO SPEED CONT (S. GS)	
67 210		SWITCH, STOP	H003-66-490A	1	(W/AUTO SPEED CONT) (GSL, GSL-SE)	
86 202		PAD, FOOT REST	FA01-43-042	1		

**4340A-1 BRAKE MASTER CYLINDER & POWER BRAKE
(REAR DRUM BRAKES) (S, GS)**



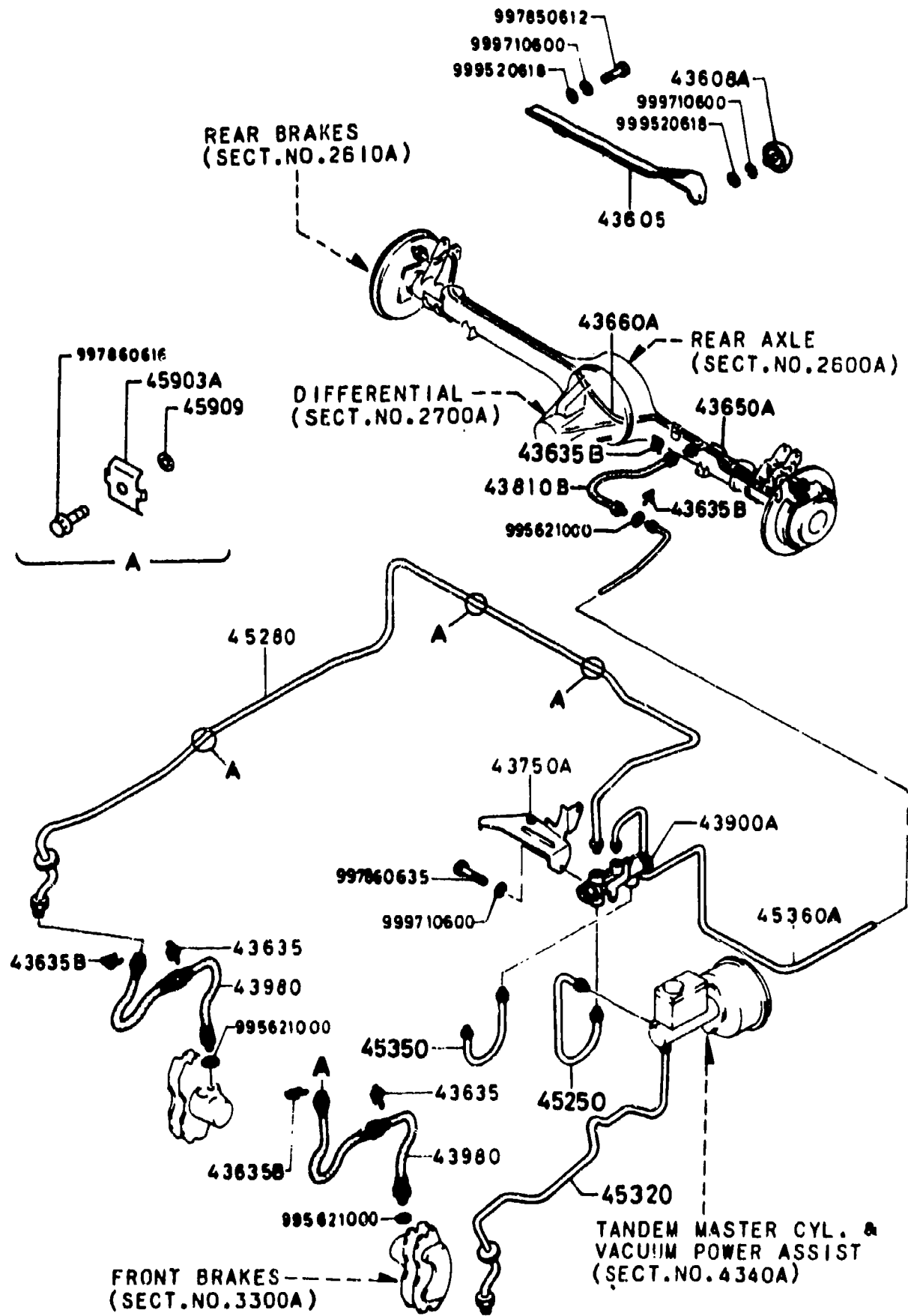
ITEM NO.	D-CODE	DESCRIPTION	PART NO.	QTY	MODEL/DESCRIPTION	REMARKS
43 443		GASKET	H001-43-443	2		
43 540		INDICATOR, LEVEL	3597-43-540	1		
43 542		FLOAT	8531-43-542	1		
43 550S		TANK SET, RESERVE	FA07-49-680	1		
43 552S		CAP SET, RESERVE TANK	B093-49-580	1		
43 640		HOSE, VACUUM	G 13-640	1		
43 694		BOLT, CONNECTOR	8573-43-694	1		
43 800		VACUUM POWER ASSIST	FA55-43-800	1		
43 830		PIPE, VACUUM,	1480-43-830A	1		
43 836		HOSE, VACUUM	8871-43-836	1		
43 840C		PIPE, VACUUM	FA01-43-840	1		
43 990		CYLINDER, TANDEM MASTER	FA07-43-400	1		
49 610		PARTS KIT, BRAKE MASTER	G001-49-610	1		
49 625		CUP, SECONDARY	1128-49-625	1		
49 626		CUP, PRIMARY	1128-49-626	2		
49 635		CUP, FLOATING	1128-49-635	2		
49 640D		PARTS KIT, INNER	G001-49-640	1		
49 652		BOLT, JOINT	G001-49-652	1		
49 686B		BUSHING, ELBOW JOINT	0305-49-686B	2		
49 720		REPAIR KIT	FA55-49-720	1		

**4340AA-1 BRAKE MASTER CYLINDER & POWER BRAKE
(REAR DISK BRAKES) (GSL, GSL-SE)**



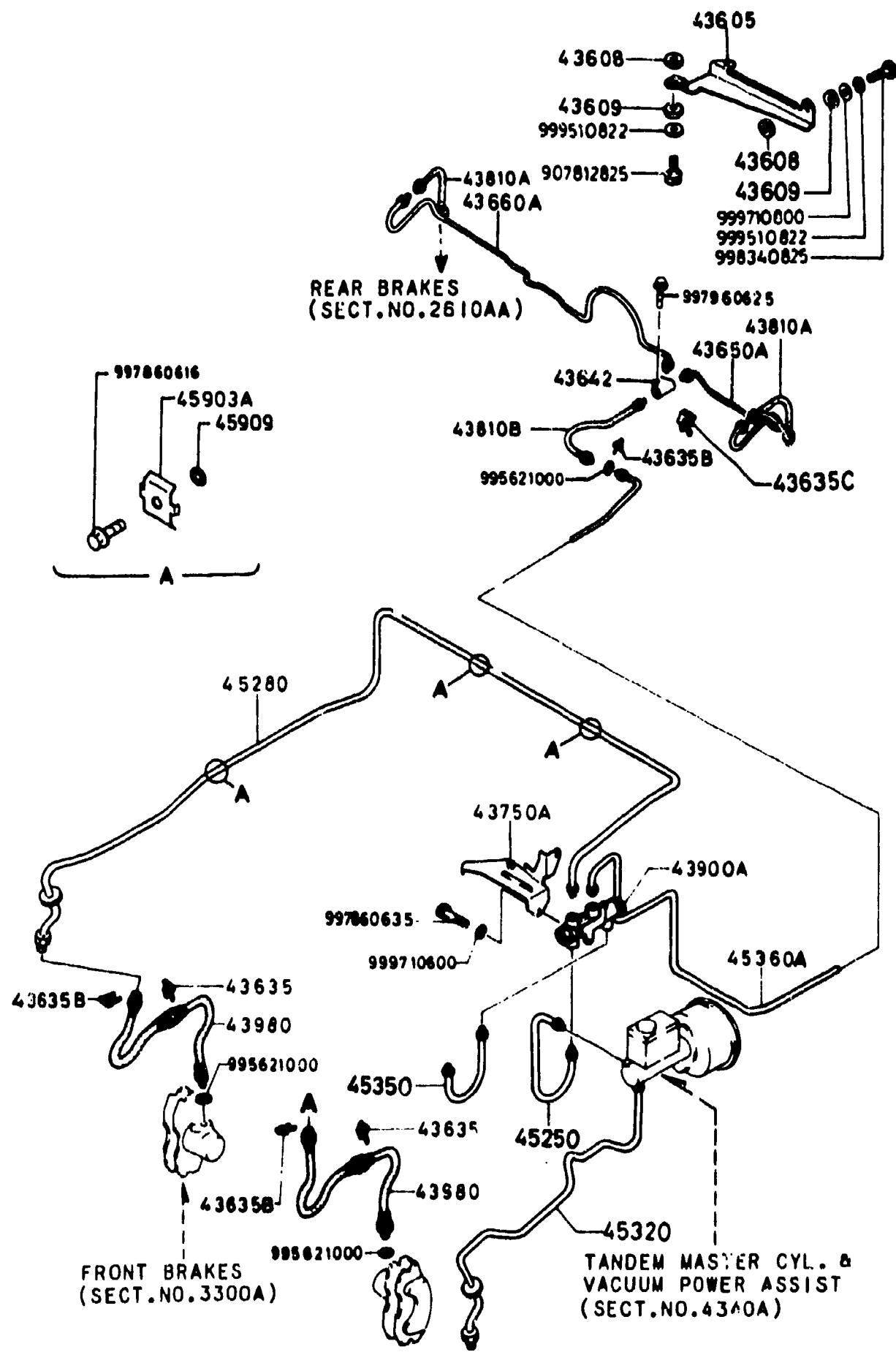
ITEM NO.	D-CODE	DESCRIPTION	PART NO.	QTY	MODEL/DESCRIPTION	REMARKS
43 50		GASKET	H001-43-443	2		
43 540		INDICATOR, LEVEL	3597-43-540	1		
43 542		FLOAT	8531-43-542	1		
43 550S		TANK SET, RESERVE	FA07-49-680	1		
43 552S		CAP SET, RESERVE TANK	B093-49-580	1		
43 640		HOSE, VACUUM	G001-43-640	1		
43 694		BOLT, CONNECTOR	8573-43-694	1		
43 800		VACUUM POWER ASSIST	FA55-43-800	1		
43 830		PIPE, VACUUM	1480-43-830A	1	12A (GSL)	
			H202-43-830	1	13B (GSL-SE)	
43 836		HOSE, VACUUM	8871-43-836	1	12A (GSL)	
			FA66-43-836	1	13B (GSL-SE)	
43 840C		PIPE, VACUUM	FA01-43-840	1		
43 990		CYLINDER, TANDEM MASTER	FA66-43-400	1		
49 610		PARTS KIT, BRAKE MAST	HA18-49-610A	1		
49 625		CUP, SECONDARY	FB01-49-625	1		
49 626		CUP, PRIMARY	0305-49-626	2		
49 635		CUP, FLOATING	FB01-49-625	2		
49 640D		PARTS KIT, INNER	HA18-49-640	1		
49 686B		BUSHING, ELBOW JOINT	0305-49-686B	2		
49 720		REPAIR KIT	FA55-49-720	1		

**4360A-1 BRAKE PIPING
(REAR DRUM BRAKE) (S, GS)**



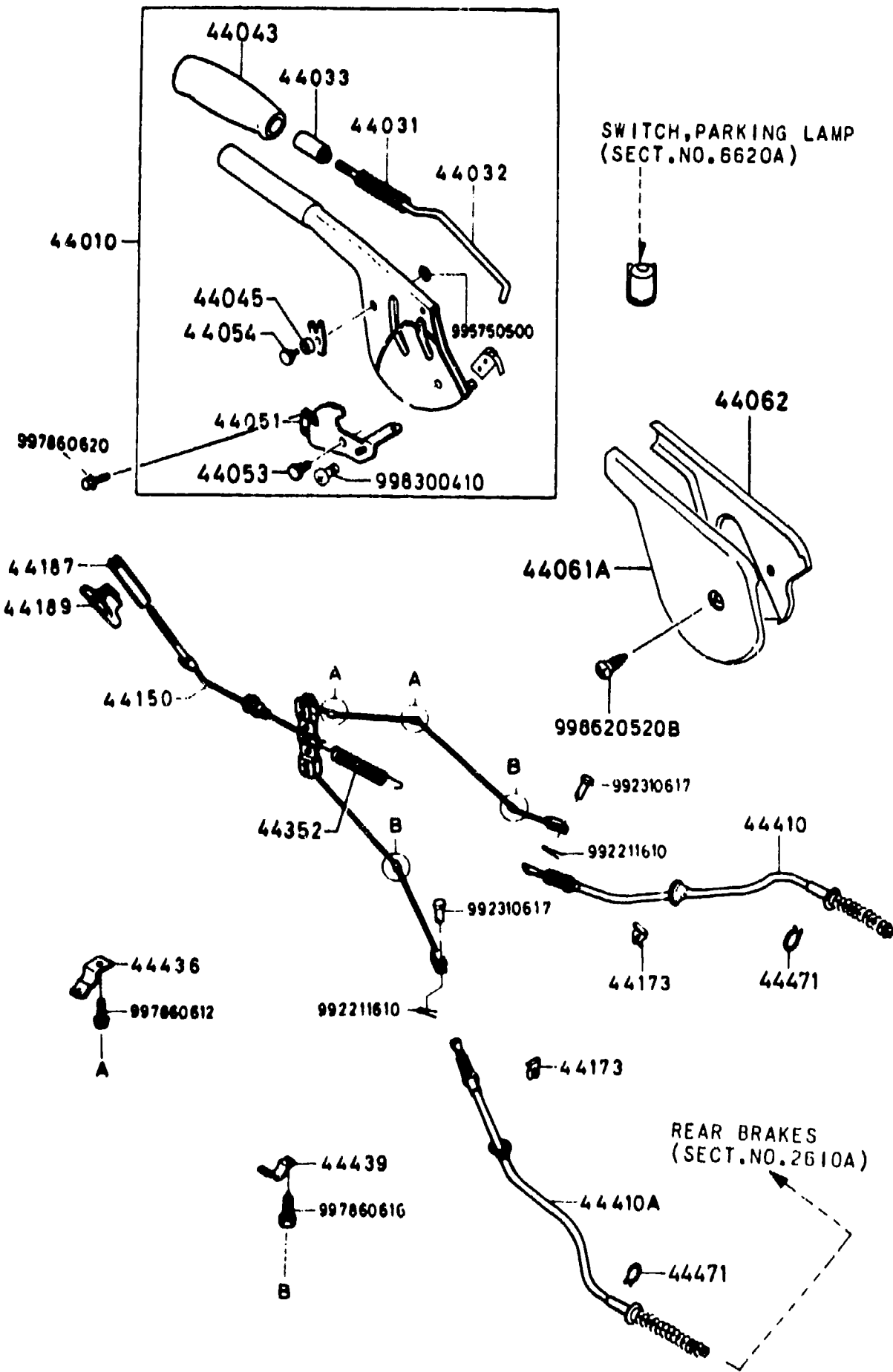
ITEM NO.	D-CODE	DESCRIPTION	PART NO.	QTY	MODEL/DESCRIPTION	REMARKS
43 605		PROTECTOR, BRAKE PIPE	8871-43-785A	1		
43 608A		SCREW, RUBBER	8871-43-608	1		
43 635		CLIP, FLEXIBLE HOSE	W023-43-635	2		
43 635B		CLIP, FLEXIBLE HOSE	W023-43-635	4		
43 650A		PIPE (L), BRAKE-REAR	FA07-43-650	1		
43 660A		PIPE (R), BRAKE-REAR	FA07-43-660	1		
43 750A		HOLDER, P.B. VALVE	FA07-43-750	1		
43 810B		HOSE NO. 1, FLEXIBLE	FA07-43-820	1		
43 900A		VALVE, P.B.	FA07-43-900	1		
43 980		HOSE, FLEXIBLE	FA66-43-980A	2		
45 250		PIPE, BRAKE-FRONT	FA07-43-360	1		
45 280		PIPE (R), BRAKE-FRONT	FA54-45-280	1	THRU OCT. '83 PROD.	FB33* ..800001-806530
			FA54-45-280B	1	FROM NOV. '83 PROD.	FB33* ..806531-
45 320		PIPE (L), BRAKE-FRONT	FA54-45-320A	1	THRU OCT. '83 PROD.	FB33* ..800001-806530
			FA54-45-320C	1	FROM NOV. '83 PROD.	FB33* ..806531-
45 350		PIPE, BRAKE-REAR	FA07-43-370	1		
45 360A		PIPE, BRAKE-REAR	FA54-45-360	1		
45 903A		CLIP	8173-45-903	2		
45 909		WASHER	8173-45-909	2		

**4360AA-1 BRAKE PIPING
(REAR DISC BRAKE) (GSL, GSL-SE)**



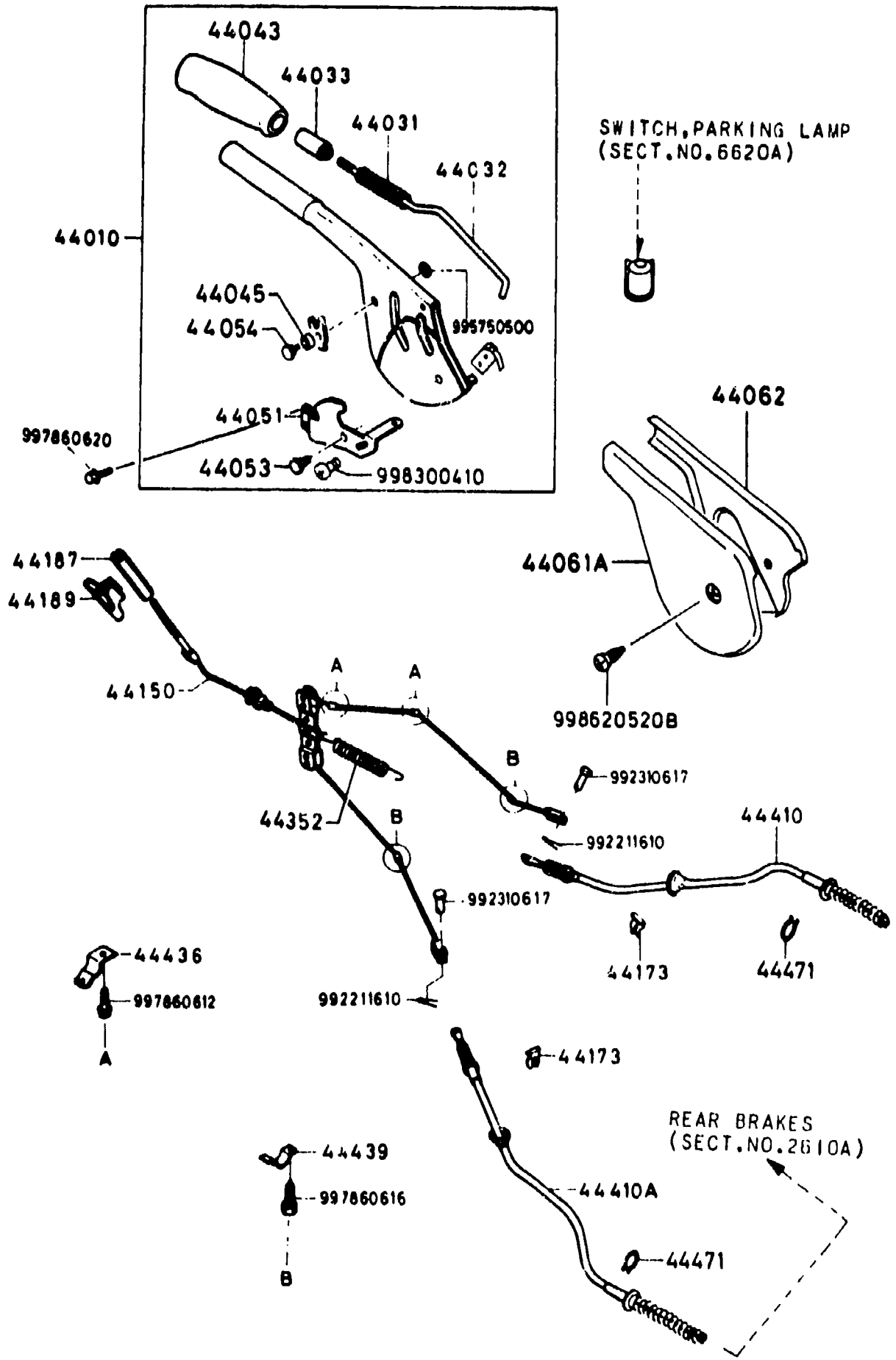
ITEM NO.	D-CODE	DESCRIPTION	PART NO.	QTY	MODEL/DESCRIPTION	REMARKS
	43 605	PROTECTOR, BRAKE PIPE	FA18-43-605A	1		
	43 608	SPACER	1114-43-608B	3		
	43 609	RUBBER, CUSHION	1114-43-609A	3		
	43 635	CLIP, FLEXIBLE HOSE	W023-43-635	2		
	43 635B	CLIP, FLEXIBLE HOSE	W023-43-635	3		
	43 635C	CLIP, HOSE	W023-43-635	2		
	43 642	JOINT	FA18-43-642A	1		
	43 650A	PIPE (L), BRAKE-REAR	FA18-43-650	1		
	43 660A	PIPE (R), BRAKE-REAR	FA18-43-660	1		
	43 750A	HOLDER, P.B. VALVE	FA07-43-750	1		
	43 810A	HOSE NO. 1, FLEXIBLE	FA18-43-810	2		
	43 810B	HOSE NO. 1, FLEXIBLE	FA18-43-820A	1		
	43 900A	VALVE, P.B.	FA66-43-900	1		
	43 980	HOSE, FLEXIBLE	FA66-43-980A	2		
	45 250	PIPE, BRAKE-FRONT	FA07-43-360	1		
	45 280	PIPE (R), BRAKE-FRONT	FA54-45-280B	1		
	45 320	PIPE (L), BRAKE-FRONT	FA54-45-320C	1		
	45 350	PIPE, BRAKE-REAR	FA07-43-370	1		
	45 360A	PIPE, BRAKE-REAR	FA54-45-360	1		
	45 903A	CLIP	8173-45-903	2		
	45 909	WASHER	8173-45-909	2		

4400A-1 PARKING BRAKE SYSTEM



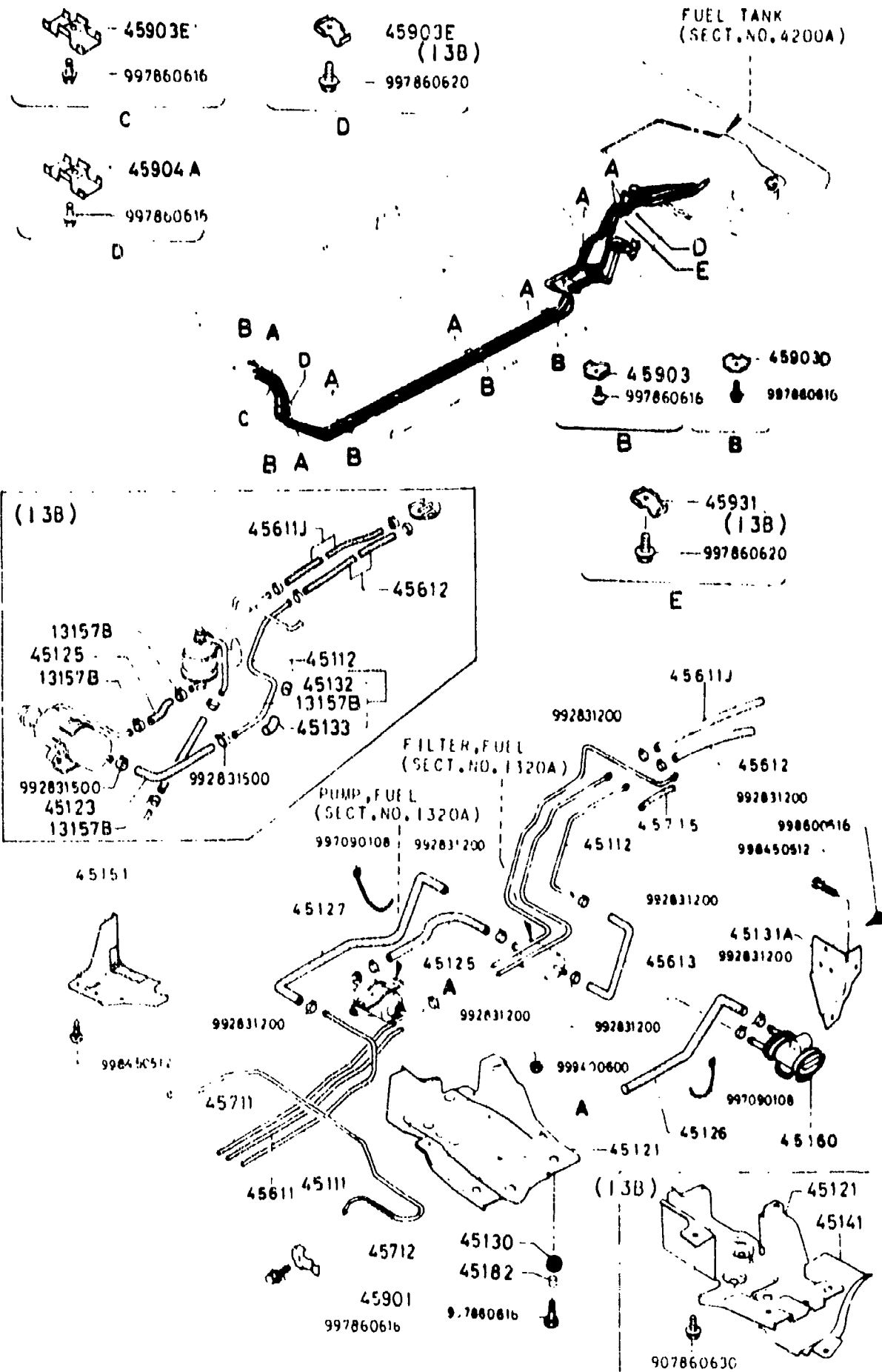
ITEM NO.	D-CODE	DESCRIPTION	PART NO.	QTY	MODEL/DESCRIPTION	REMARKS
44 010		LEVER, PARKING BRAKE	FA54-44-010E	1		
		RED	10			
		OFF-BLACK	65			
		LIGHT BROWN	78			
44 031		SPRING	FA54-44-031	1		
44 032		ROD, RELEASE	FA54-44-032	1	THRU SEP. '83 PROD.	FB33* ..800001-800881
44 033		BUTTON, RELEASE	0221-44-033	1		
		BLACK	00			
		RED	10			
		OFF-BLACK	65			
44 043		CAP	FA54-44-034	1		
		RED	10			
		OFF-BLACK	65			
		LIGHT BROWN	78			
44 045		STOPPER	B001-44-045	1		
44 051		SECTOR	FA54-44-051	1		
44 053		BOLT, HAND BRAKE LEVER	B037-44-053	1		
44 054		PIN	B037-44-054	1		
44 061A		COVER	FA54-44-061B	1		
		RED	10			
		OFF-BLACK	65			
		LIGHT BROWN	78			
44 062		COVER	FA54-44-062B	1		
		RED	10			
		OFF-BLACK	65			
		LIGHT BROWN	78			
44 150		CABLE, FRONT-PARK BRAKE	1480-44-150A	1		
44 173		CLIP	0118-44-375	1		
44 187		SCREW	0866-44-187A	1		
44 189		CLIP	0866-44-189	1		
44 352		SPRING, RETURN	0613-41-308	1		
44 410		CABLE (R), REAR-PARK	FA16-44-410B	1	12A (GSL) (REAR DISC BRAKE)	
			FA54-44-410A	1	12A (S. GS) (REAR DRUM BRAKE)	
			FA66-44-410	1	13B (GSL-SE)	
44 410A		CABLE (L), REAR-PARK	FA16-44-420A	1	12A (GSL) (REAR DISC BRAKE)	
			FA54-44-420A	1	12A (S. GS) (REAR DRUM BRAKE)	
			FA66-44-420	1	13B (GSL-SE)	

4400A-2 PARKING BRAKE SYSTEM



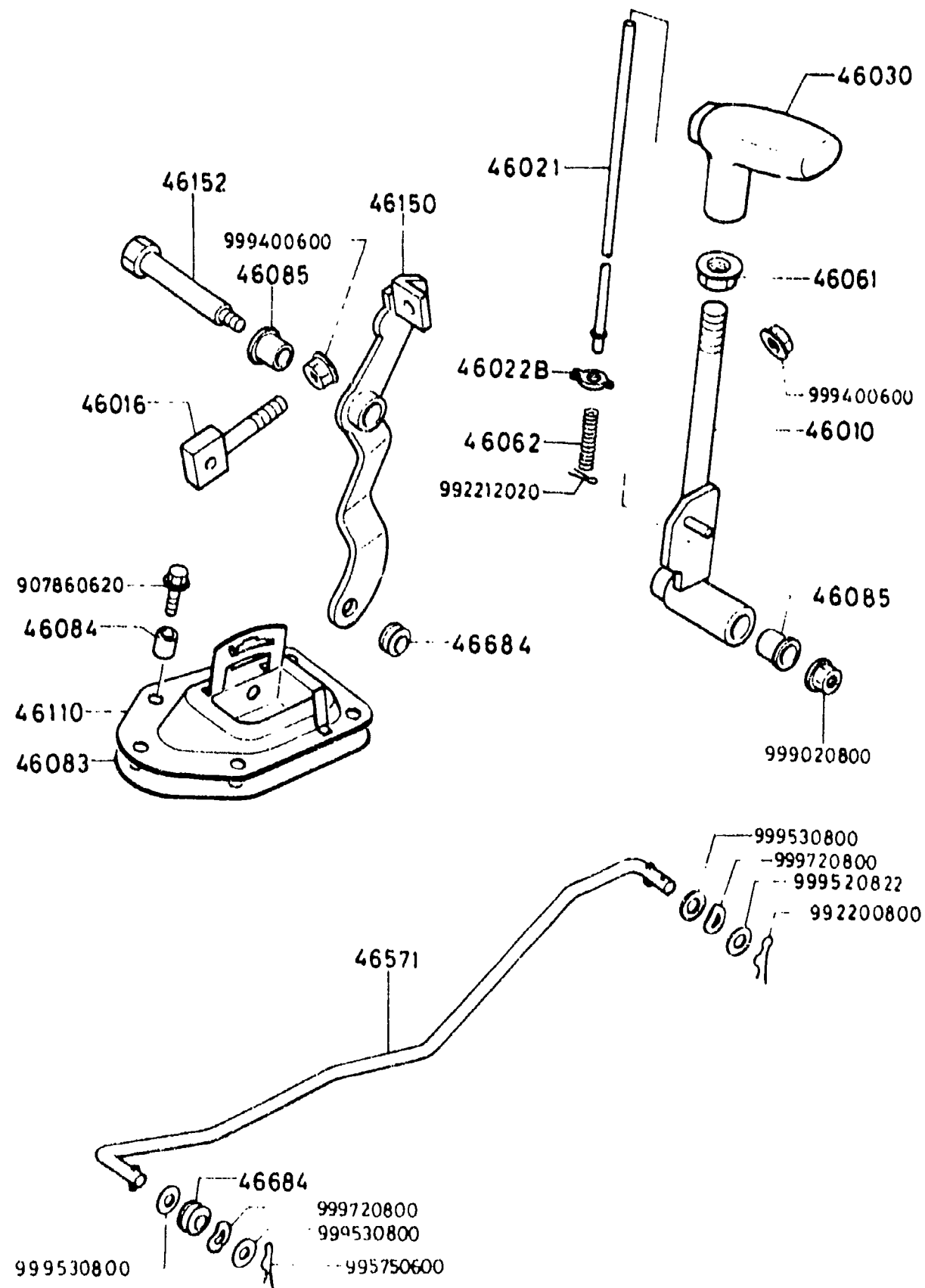
ITEM NO.	D-CODE	DESCRIPTION	PART NO.	QTY	MODEL/DESCRIPTION	REMARKS
	44 436	CLIP	8871-44-439	2		
	44 439	CLIP, CABLE	1011-44-439	2		
	44 471	CLIP	0305-44-471	2		

4500A-2 FUEL PIPINGS



ITEM NO.	D-CODE	DESCRIPTION	PART NO	QTY	MODEL/DESCRIPTION	REMARKS
	45 903E	CLIP	FA42-45-903	1	12A (S. GS. GSI)	
			FA66-45-903	2	13B (GSI-SE)	
	45 904A	CLIP, PIPE	FA42-45-904	1	12A (S. GS. GSI)	
	45 931	CLIP, PIPE	FA66-45-931	1	13B (GSI-SE)	

4600A-1 CHANGE CONTROLS (A/T)



ITEM NO	D-CODE	DESCRIPTION	PART NO	QTY	MODEL/DESCRIPTION	REMARKS
46 010		LEVER, SELECT	FA55-46-010	1		
46 016		BOLT	H002-46-016A	1		
46 021		ROD	FA55-46-021	1		
46 022B		PIN, GUIDE	8174-46-022	1		
46 030		KNOB, CHANGE LEVER	FA55-46-030	1		
		RED	10			
		OFF-BLACK	65			
		BROWN	78			
46 061		NUT	8202-46-061A	1		
46 062		SPRING	2375-46-062	1		
46 083		RUBBER, SEAL	FA55-46-083	1		
46 084		SPACER	1481-46-084A	5		
46 085		BUSHING	H002-46-085	2		
46 110		BRACKET, LEVER	FA55-46-110A	1		
46 150		LEVER	FA55-46-150	1		
46 152		SPINDLE	H002-46-152	1		
46 571		ROD	FA55-46-571	1		
46 684		BUSHING	1015-46-684A	2		